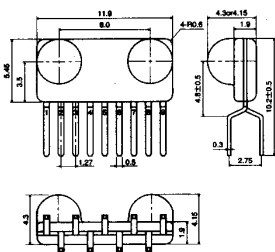


IrDA infrared communication

• IrDA infrared communication module

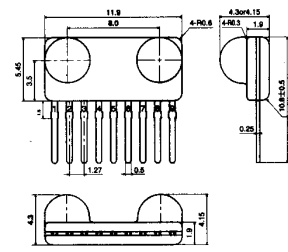
Part No.	Supply voltage(V)	Application format	Features	Package
RPM-850CBZ	2.7~5.5	SIR(IrDA1.0).ASK	Infrared LED, PIN photodiode, with built-in wave shaping circuit	RZIP9 RSIP9 RSIP9(V1)
RPM-850ACB				
RPM-850ACB-V1				
RPM-800CBZ	2.7~5.5	SIR(IrDA1.0).ASK	Infrared LED, PIN photodiode, with built-in modular/demodular circuit	RZIP9 RSIP9 RSIP9(V1)
RPM-800CBS				
RPM-800CBL				
RPM-801CBZ	2.7~5.5	SIR(IrDA1.0)	Infrared LED, PIN photodiode, with built-in modular/demodular circuit	RZIP9 RSIP9 RSIP9(V1)
RPM-801CBS				
RPM-801CBL				
New RPM851	2.7~5.5	SIR(IrDA1.0).ASK	Infrared LED, PIN photodiode, with built-in wave shaping circuit	RSIP13
New RPM950	2.7~5.5	FIR(IrDA1.1)	Infrared LED, PIN photodiode, with built-in wave shaping circuit	RSIP13

● RZIP-9



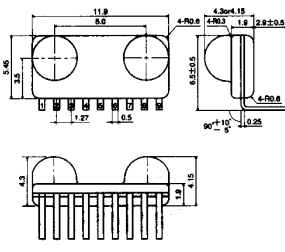
Blank indicates ±0.2% tolerance

● RSIP-9



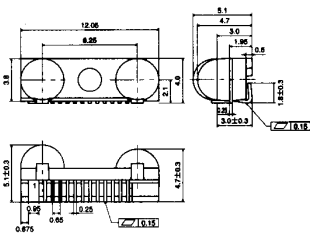
Blank indicates ±0.2% tolerance

● RSIP-9 (V1)



Blank indicates ±0.2% tolerance

● RSIP13



Blank indicates ±0.2% tolerance

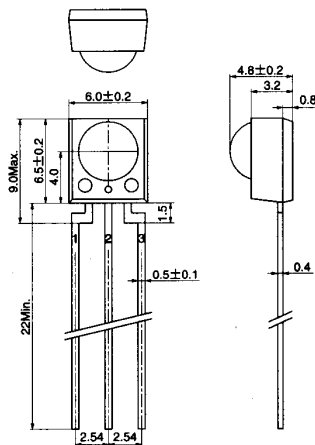
(Unit:mm)

Remote control photo IC

• RPM-690 series (wide-angle type)

Part No.	Supply voltage (V)	Function	Standard characteristics					Package	
			Detection length (m)	V _{OL} (V)	V _{ON} (V)	θ 80% Horizontal	θ 80% Vertical		f _o (kHz)
New RPM6933(-V4)	5.0	One mold remote-controlled photosensitive IC	16	0.5Max.	4.5Min.	35 deg	30 deg	33.0	RSIP-A3 RSIP-A3(V4)
New RPM6936(-V4)	5.0	One mold remote-controlled photosensitive IC	16	0.5Max.	4.5Min.	35 deg	30 deg	36.0	
New RPM6937(-V4)	5.0	One mold remote-controlled photosensitive IC	16	0.5Max.	4.5Min.	35 deg	30 deg	36.7	
New RPM6938(-V4)	5.0	One mold remote-controlled photosensitive IC	16	0.5Max.	4.5Min.	35 deg	30 deg	37.9	
New RPM6940(-V4)	5.0	One mold remote-controlled photosensitive IC	16	0.5Max.	4.5Min.	35 deg	30 deg	40.0	
New RPM6957(-V4)	5.0	One mold remote-controlled photosensitive IC	16	0.5Max.	4.5Min.	35 deg	30 deg	56.9	

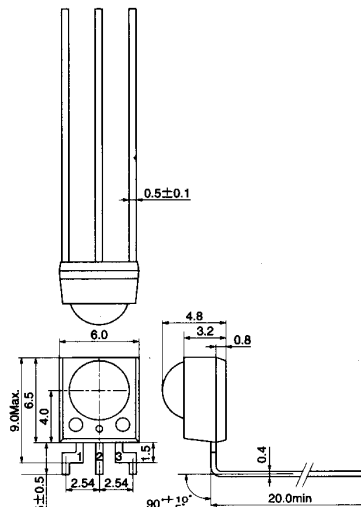
● RSIP-A3



- (1) Rout
- (2) GND
- (3) Vcc

(Unit : mm)

● RSIP-A3 (V4)



- (1) Rout
- (2) GND
- (3) Vcc

(Unit : mm)