

Specs of 3*1W CREE LED MR16 Spots Light

Product Surface Chart



Product Code

DHY08-316X-030X

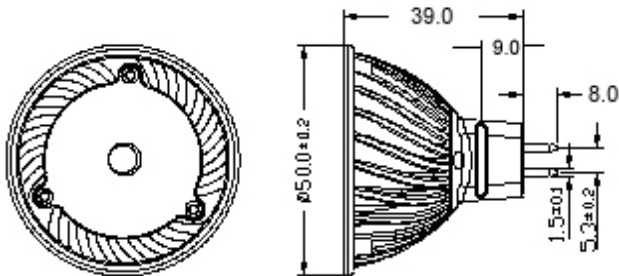
Color Code

Color	Code
cool white	W
warm white	WW
red	R
green	G
blue	B
yellow	Y

LED Brand

LED BRAND	Code
Luxeon	L
Edison	E
Cree	C

Product Framework Dimension Chart



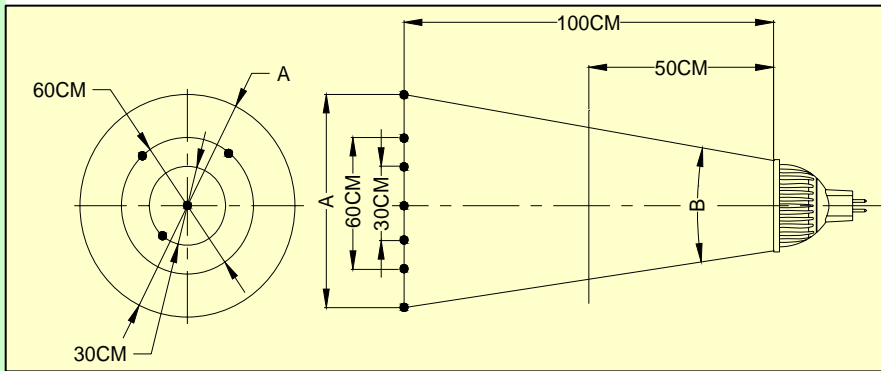
MR16

Unit : mm

1. FEATURES

- BULB TYPE: 3X1 Watt LED MR16 Spotlights
- BASE TYPE: 2 pins GU5.3
- INPUT VOLTAGE: 12V AC/DC with reversed polarity protect
- INPUT POWER: 4W
- OUTPUT POWER: 3.6W
- TOTAL LENGTH: 46 mm (including pins)
- BEAM ANGLE: 38 degrees
- REFLECTOR EFFICIENCY: 90%
- LIGHT SOURCE: 3*1W high power CREE XR-E LED
- LED INPUT CURRENT: 340mA
- BODY TEMPERANCE: <53°C
- LED WORKING TEMPERANCE: <62°C
- FULL RANGE OF COLORS: cool white, warm white, blue, green ,red,yellow
- NET WEIGHT: 42 g
- ALUMINIUM HOUSING
- NO UV OR IR RADIATION
- SAFETY ASSURANCE: CE & ROHS

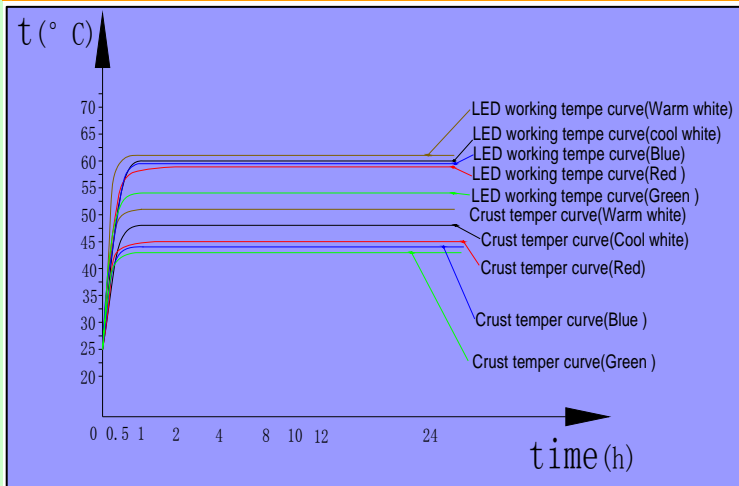
2. Chart of Aperture Luminous Intensity in One Metre distance away



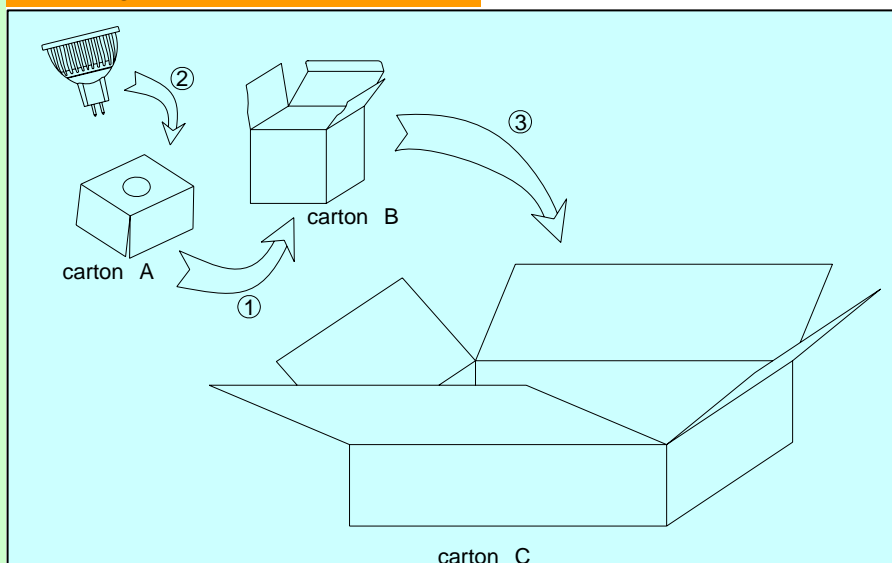
Optical Characteristics $I_p=350mA$

part no.	LED Brand	Color	CCT (K)	LED Intensity (LM)	center illuminance @1M/0.5M (LUX)	Dia 60 cm illuminance @1M (LUX)	Dia 30 cm illuminance @1M/0.5M (LUX)	light circle@1M/0.5M (CM)
DHY01-316W-030C	Cree	cool white	5000-8000K	3*80	—	—	—	—
DHY01-316WW-030C		warm white	2700-3500K	3*60	—	—	—	—

3. Light Crust Temp. & Time Changing Curve Chart at $T=25^{\circ}C$



4. Packing Criterion



Packing Notice:

1. Qty/ctn: 100pcs
2. Gross Weight: 7.2kg
3. Size of carton: 59*29*16.5cm
4. Handle with care

