

# Specs of 3W Cree LED MR16 Spotlight

## Product Surface Chart



## Product Code

DHY01-016X-030X

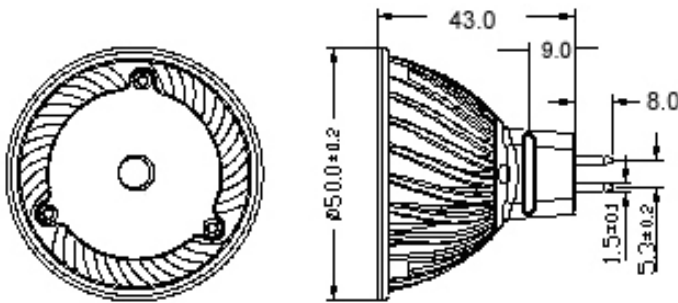
### Color Code

| Color      | Code |
|------------|------|
| cool white | W    |
| warm white | V    |
| red        | R    |
| green      | G    |
| blue       | B    |
| yellow     | Y    |

### LED Brand

| LED BRAND           | Code |
|---------------------|------|
| Luxeon              | L    |
| Edison              | E    |
| Seoul Semiconductor | S    |

## Product Framework Dimension Chart



**MR16**

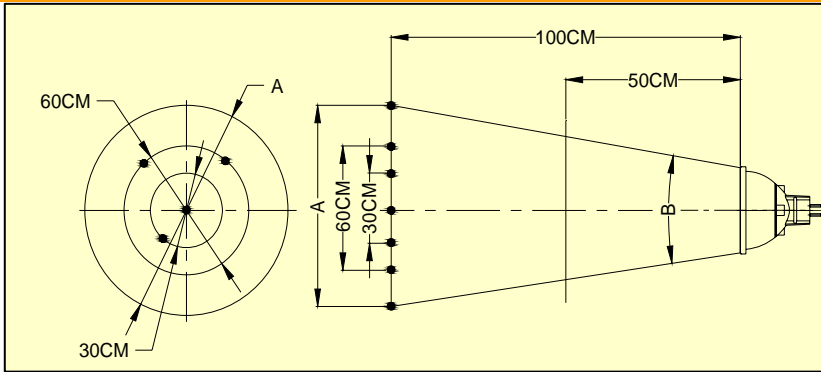
Unit : mm

## 1. FEATURES

- BUIB TYPE: 3W Cree LED MR16 spotlight
- BASE TYPE: 2 pin GX5.3
- INPUT VOLTAGE: AC10.5-18Volts
- INPUT POWER: 3.9W
- OUTPUT POWER: 3.0W
- TOTAL LENGTH: 50mm(including pins)
- BEAM ANGLE: 30 degrees
- REFLECTOR EFFICIENCY: 90%
- LIGHT SOURCE: 3W high power Cree LED
- LED INPUT CURRENT: 700mA
- BODY TEMPERATURE: <60°C
- LED WORKING TEMPERATURE: <65°C
- FULL RANGE OF COLORS: cool white, warm white, blue, green ,red,yellow
- NET WEIGHT: 53g
- ALUMINIUM HOUSING
- NO UV OR IR RADIATION
- SAFETY ASSURANCE: CE&RoHS

# Specs of 3W Cree LED MR16 Spotlight

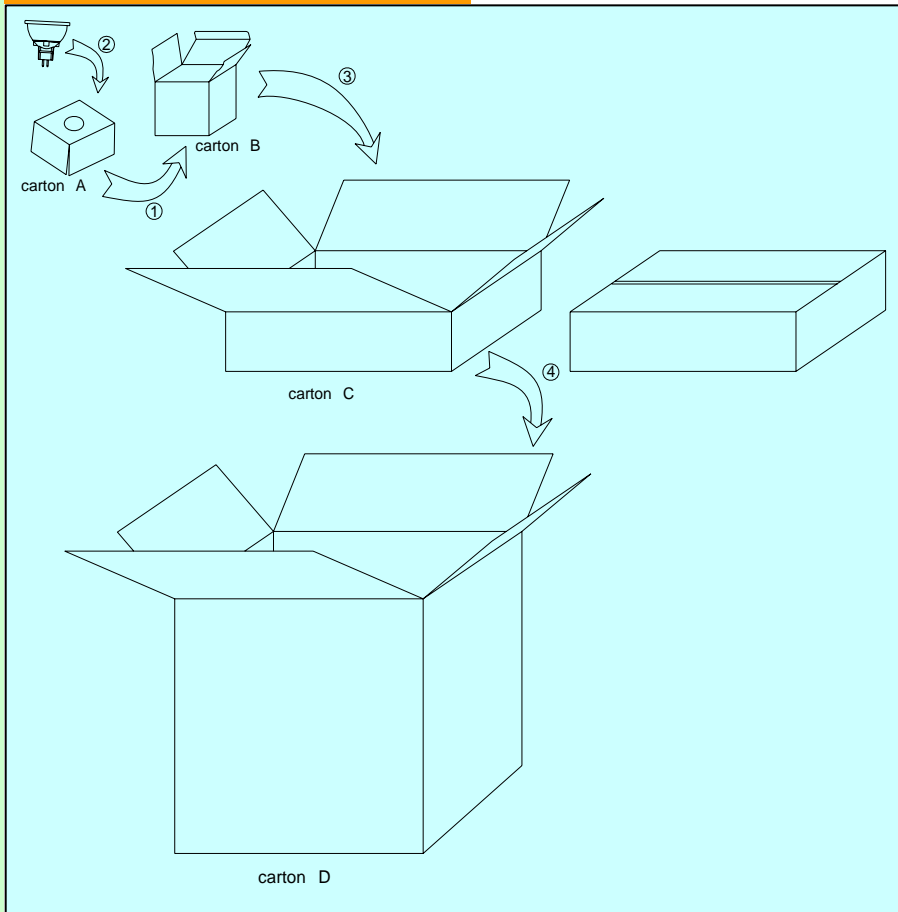
## 2. Chart of Aperture Luminous Intensity in One Metre distance away



## Optical Characteristics at $I_p=700mA$

| part no.        | LED Brand | Color      | wavelength /CCT (nm/K) | Luminous Flux (LM) | center illuminance @1M/0.5M (LUX) | Dia 60 cm illuminance @1M (LUX) | Dia 30 cm illuminance@ 1M/0.5M (LUX) | light circle@1M/ 0.5M (CM) |
|-----------------|-----------|------------|------------------------|--------------------|-----------------------------------|---------------------------------|--------------------------------------|----------------------------|
| DHY01-016W-030C | Cree      | cool white | 5500K-8000K            | 135-160            |                                   |                                 |                                      |                            |

## 3. Packing Criterion



### Packing Notice:

1. Qty/Outer Carton:100pcs
2. Gross Weight:7.3kg
3. Size of carton:59\*28.5\*16.5CM
4. Handle with care