



8-port 10/100/1000Mbps Desktop Switch

WL-N081G1

*Note: Before using your product, please read this manual instruction

Introduction

Package Contents

Thank you for choosing our product. *Switch to our World*

Please make sure there isn't anything missing, the content includes the following items

- 1 x 8-Port 10/100/1000Mbps Desktop Switch
- 1 x Power Adapter
- 1 x User Manual

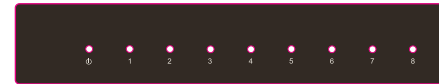
Product Overview

This is a multiport switch and is the perfect choice to upgrade your network to 1000Mbps. It provides you with a high-performance, seamless, low-cost and easy-to-use 1000 Mbps network, ideal for multimedia, graphics, HD video and other applications that require large transferring allocation. All eight ports support auto-negotiation and auto-MDI/MDIX eliminating the need for a cross over cables. Connection speeds are automatically detected. The 8-Port Desktop Switch is compatible with any 10/100/1000 Mbps Ethernet device.

Main Features

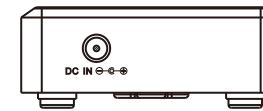
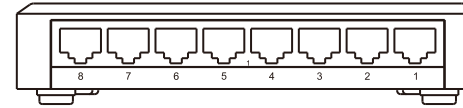
- Complies with IEEE 802.3, IEEE 802.3u standards
- Eight Auto-Negotiation Ethernet ports provide smart switching between 10Mbps, 100Mbps and 1000 Mbps hardware
- Supports Auto-MDI/MDIX, eliminating the need for crossover cables
- Supports IEEE 802.3x flow control for Full Duplex mode and backpressure for Half Duplex mode
- Supports MAC address auto-learning and auto-aging
- Non-blocking switching architecture enables full wire-speed packets forwarding and filtering
- Fanless design ensures quiet operation without disturbing your family
- Plug and Play design simplifies installation
- LED indicators for monitoring power, link and activity

Front Panel



LED	Status	Description
Power	On	Power is on
	Off	Power is off
LED (1~8)	On	Port is connected
	Off	Port is disconnected
	Blink	Data is transmitting

Rear Panel



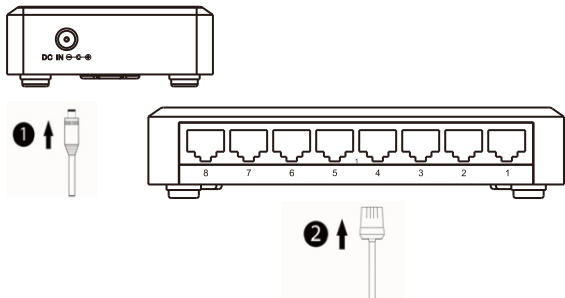
Port	Description
POWER	The Power connector is used in conjunction with the power adapter, to power the unit
LAN (1~8)	Eight Auto-Negotiation Ethernet ports used to connect your network devices. The working status can be indicated by the corresponding LEDs on the front panel

Installation

Notes before Installation

- The switch isn't waterproof take care with storage, transportation and operation.
- Position the desktop switch away from water moisture and be sure to provide an acceptable temperature and humidity-operating environment.
- Position the switch away from vibrations, dust, direct exposure to sunlight and strong electromagnetic field generators (such as motors).
- Ensure adequate ventilation space around the switch
- Don't place heavy objects against or upon the switch
- Unplug the switch during electrical thunder storms or power surges

Installation Procedures



Step 1: Connect the supplied power adapter to the Power connector.

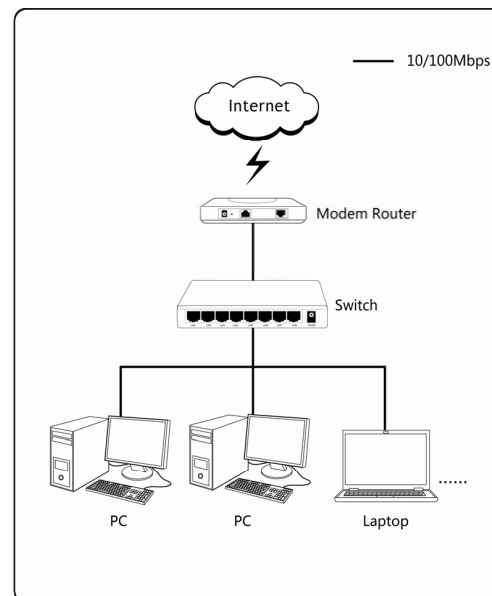
- 1) All 1-8 LED's will flash momentarily, which represents resetting of the system.
- 2) The Power LED indicator will light all the time.

Note: If the LED indicators don't respond as described above, please check the connection of power adapter

Note 2: Connect the network cables to the switch and that's it

Sample Network Topology

Your switch is now fully installed, please go ahead with connecting your switch with other network devices. Here is a Sample Network Topology for your reference:



Specification

General	
Standards	IEEE 802.3, IEEE 802.3u, IEEE 802.3x
Protocol	CSMA/CD
Transmission Method	Store-and-Forward
Switching Feature	MAC address auto-learning and auto-aging Half and Full-duplex 1.6Gbps Backplane Bandwidth
Data Rate	10/100/1000 Mbps at Half-duplex 20/200/2000 Mbps at Full-duplex
Hardware	
Interfaces	8 x 10/100/1000 Mbps Auto-negotiation, Auto-MDI/MDIX Ethernet Port 1 x Power Connector
LED Indicators	LAN1-LAN8, Power
MAC Address Table	2K
Power Supply	Input: AC 100-240V, 50/60Hz Output: DC 5V 0.5A
Dimensions (WxDxH)	139mm x 76mm x 27mm
Others	
Operating Temperature	0°C~40°C (32°C~104°F)
Storage Temperature	-40°C~70°C (-32°C~158°F)
Operating Humidity	10%~90%, Non-condensing
Storage Humidity	5%~90%, Non-condensing
Certifications	CE, RoHS
Package Contents	1 x 8-Port Desktop Switch 1 x Power Adapter 1 x User Manual

*All references to speed and range are for comparison purposes only. Product specifications, size, and shape are subject to change without notice, and actual product appearance may differ from that depicted herein.