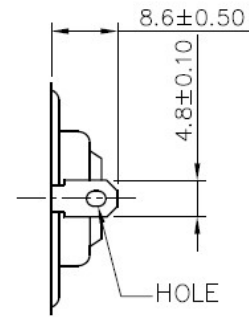
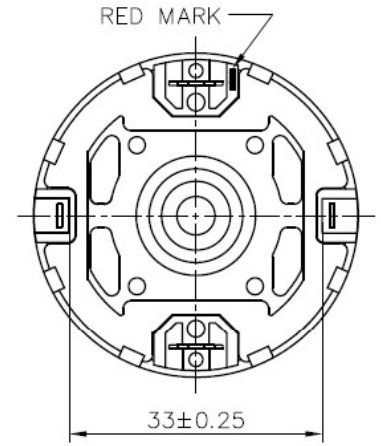
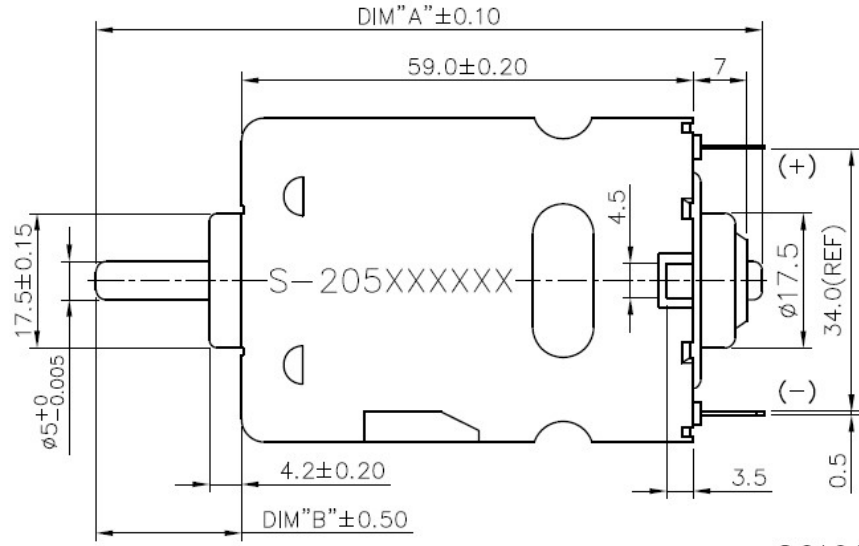
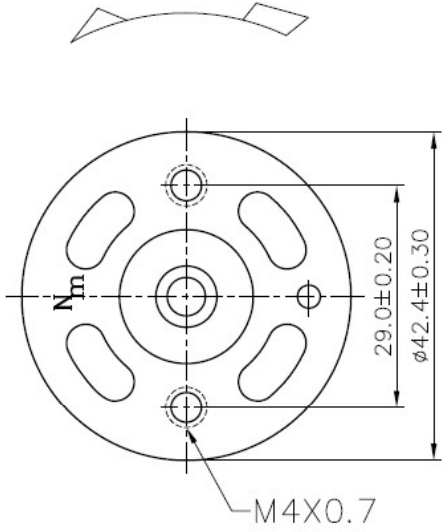


DIRECTION OF ROTATION



(Voltage) : 12.0V
(Pout Rated) : 126W

(Ambient Temperature) : 25
(No-Load R.P.M) : 18800
(No-Load Current) : 2.4 A
(Started Torque) : 4.79Kg-cm
(Test Date) : 2019.2.12

	R.P.M.	Amps	Kgcm	Eff(%)	W(out)	W(in)
(Locked Rotor)	0	80.714	4.795	0.00	0.0000	921.196
(Max-Torque)	0	80.714	4.795	0.00	0.0000	921.196
(Max-Efficiency)	15773	15.460	0.778	71.41	126.0220	176.480
(Max-W(out))	9385	41.965	2.395	48.19	230.7790	478.942

扭力常數(Torque Constant): 0.0610
馬達常數(Motor Constant): 0.1305

