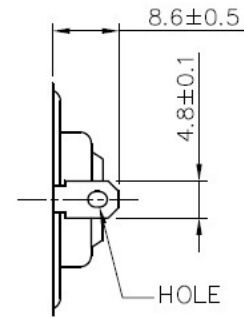
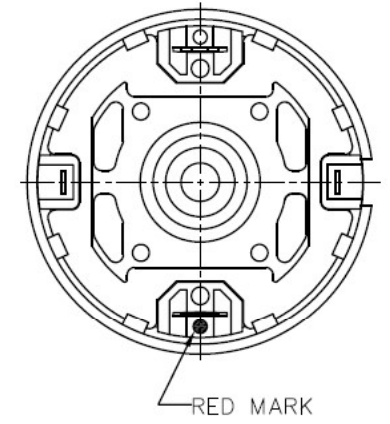
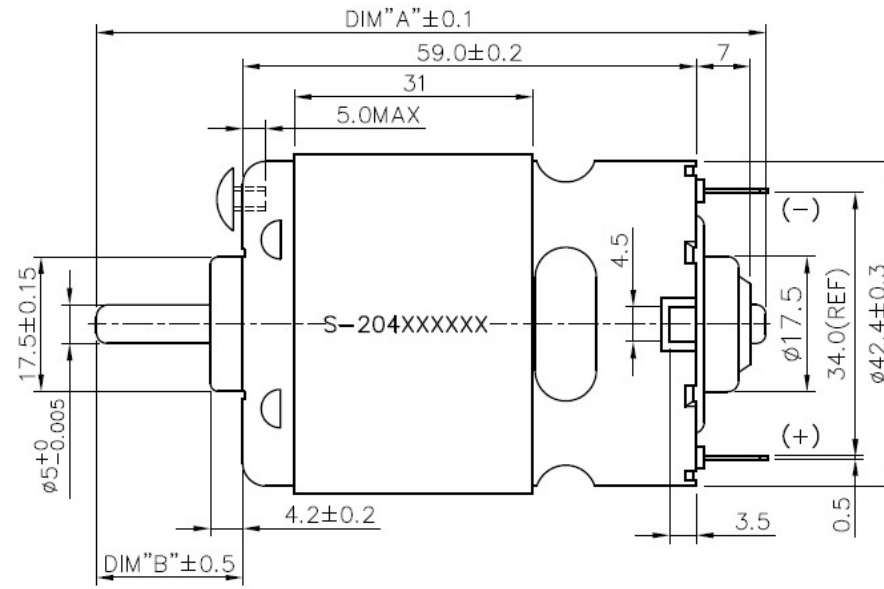
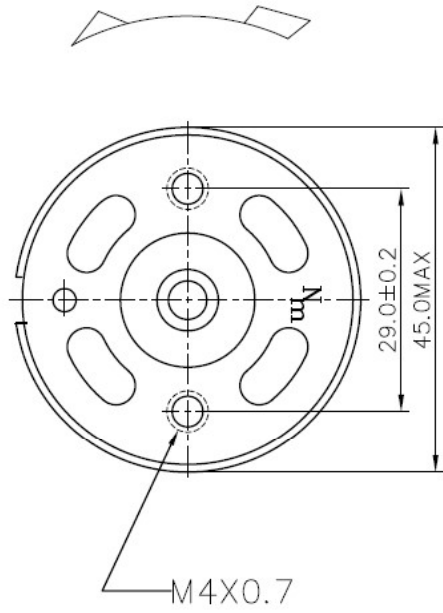


DIRECTION OF ROTATION



(Voltage) : 6.0V
(Pout Rated) : 80.8W

(Ambient Temperature) : 25
(No-Load R.P.M) : 20000
(No-Load Current) : 6.7A
(Started Torque) : 3.02Kg-cm
(Test Date) : 2013.9.24

	R.P.M.	Amps	Kgcm	Eff(%)	W(out)	W(in)
(Locked Rotor)	0	102.696	3.029	0.00	0.0000	617.433
(Max-Torque)	0	102.696	3.029	0.00	0.0000	617.433
(Max-Efficiency)	15385	22.380	0.512	60.41	80.8947	133.900
(Max-W(out))	9146	54.990	1.526	43.35	143.3341	330.615

