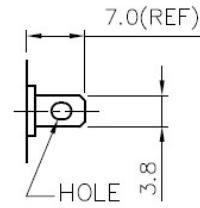
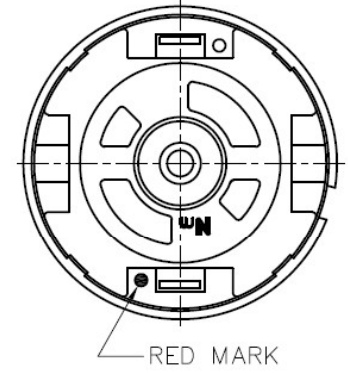
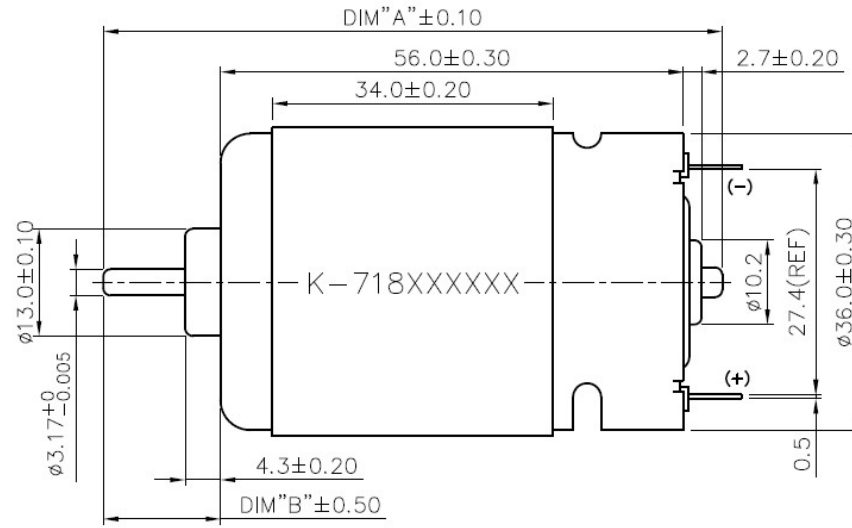
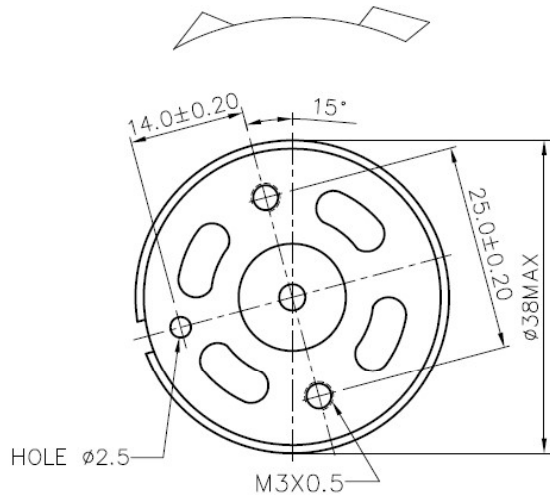


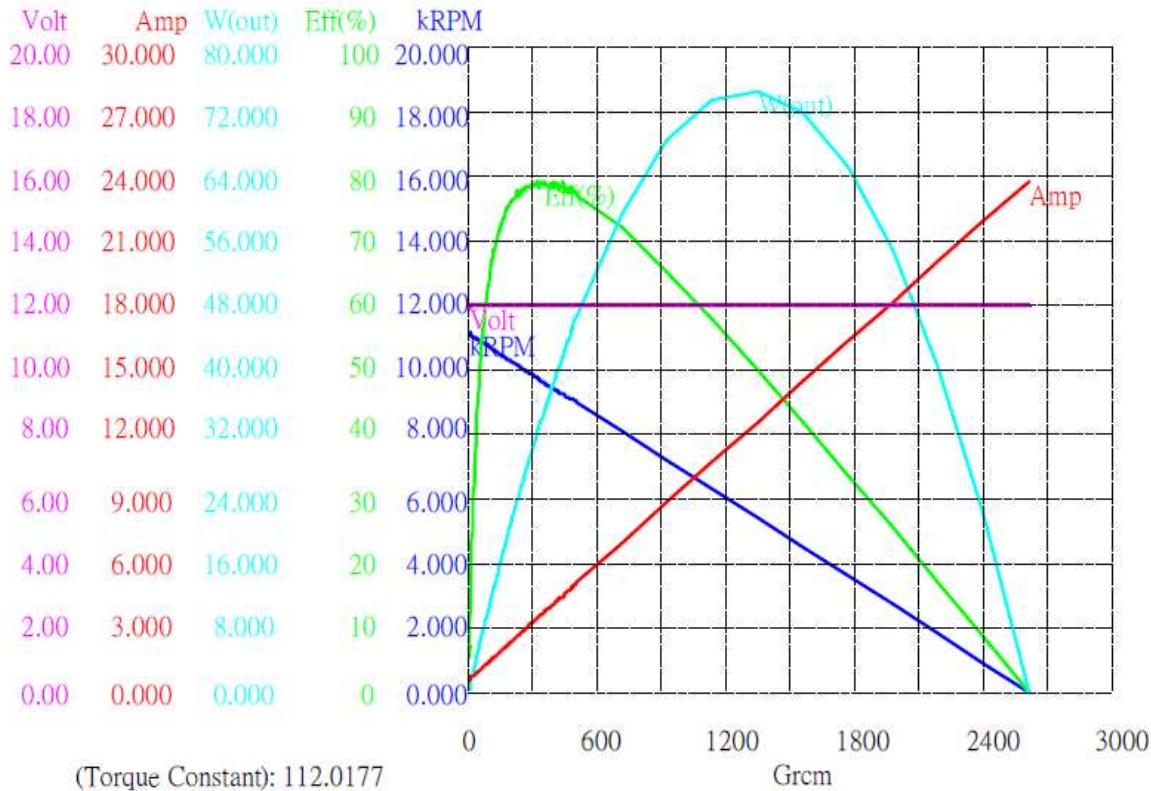
DIRECTION OF ROTATION



(Voltage) : 12.0V
 (Rated Power Output) : 34.5W

(Ambient Temperature) : 25
 (No-Load R.P.M) : 11000
 (No-Load Current) : 1.0A
 (Started Torque) : 2607g-cm
 (Test Date) : 2017.7.26

	R.P.M.	Amps	Grcm	Eff(%)	W(out)	W(in)
(Locked Rotor)	0	23.752	2607.313	0	0.000	282.313
(Max-Torque)	0	23.752	2607.313	0	0.000	282.313
(Max-Efficiency)	9597	3.666	350.300	79	34.525	43.612
(Max-W(out))	5396	12.548	1345.205	50	74.541	149.139



(Torque Constant): 112.0177
 (Motor Constant): 134.5461