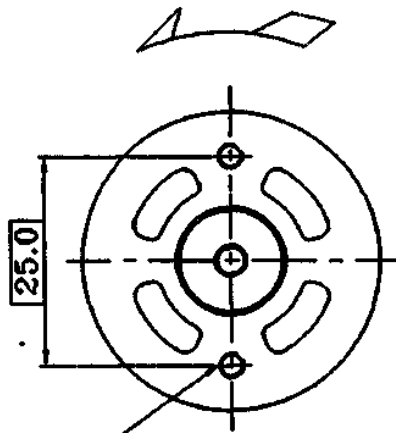


TOLERANCE EXCEPT AS NOTED		
1PL DECIMAL	2PL DECIMAL	ANGLE
±0.3	±0.1	±2°

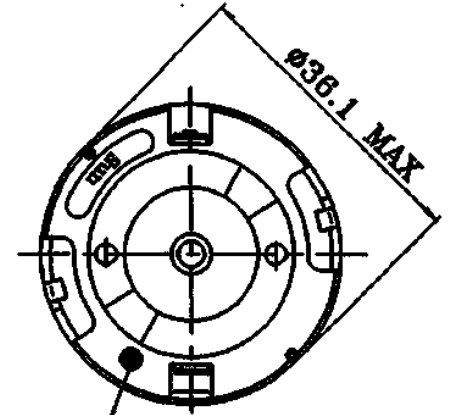
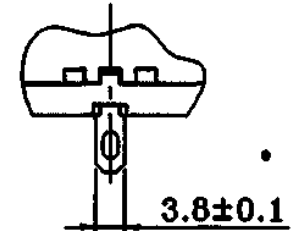
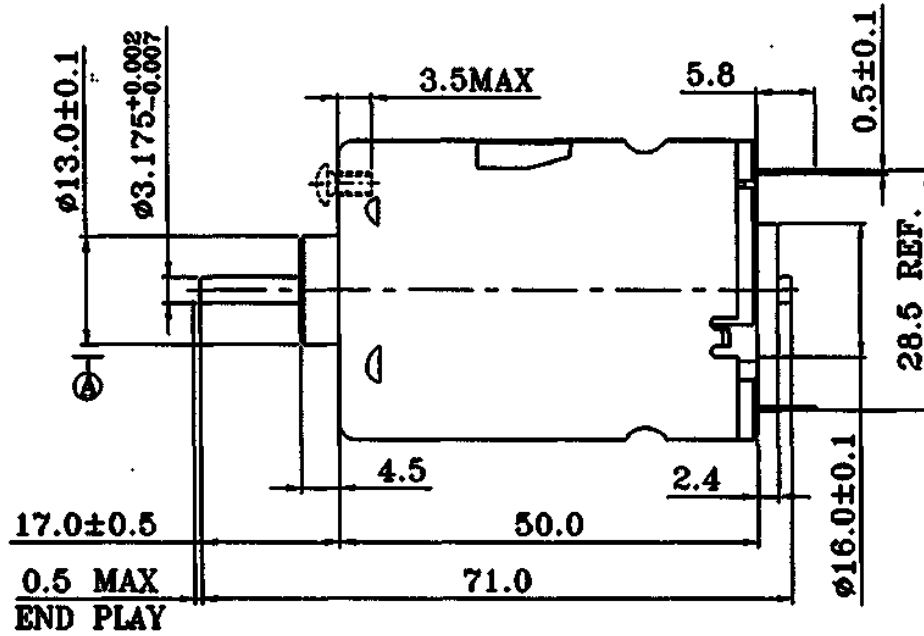


DIRECTION OF ROTATION



2~M3x0.5 TAPPED HOLE

\varnothing	$\varnothing 0.15$	A
---------------	--------------------	---



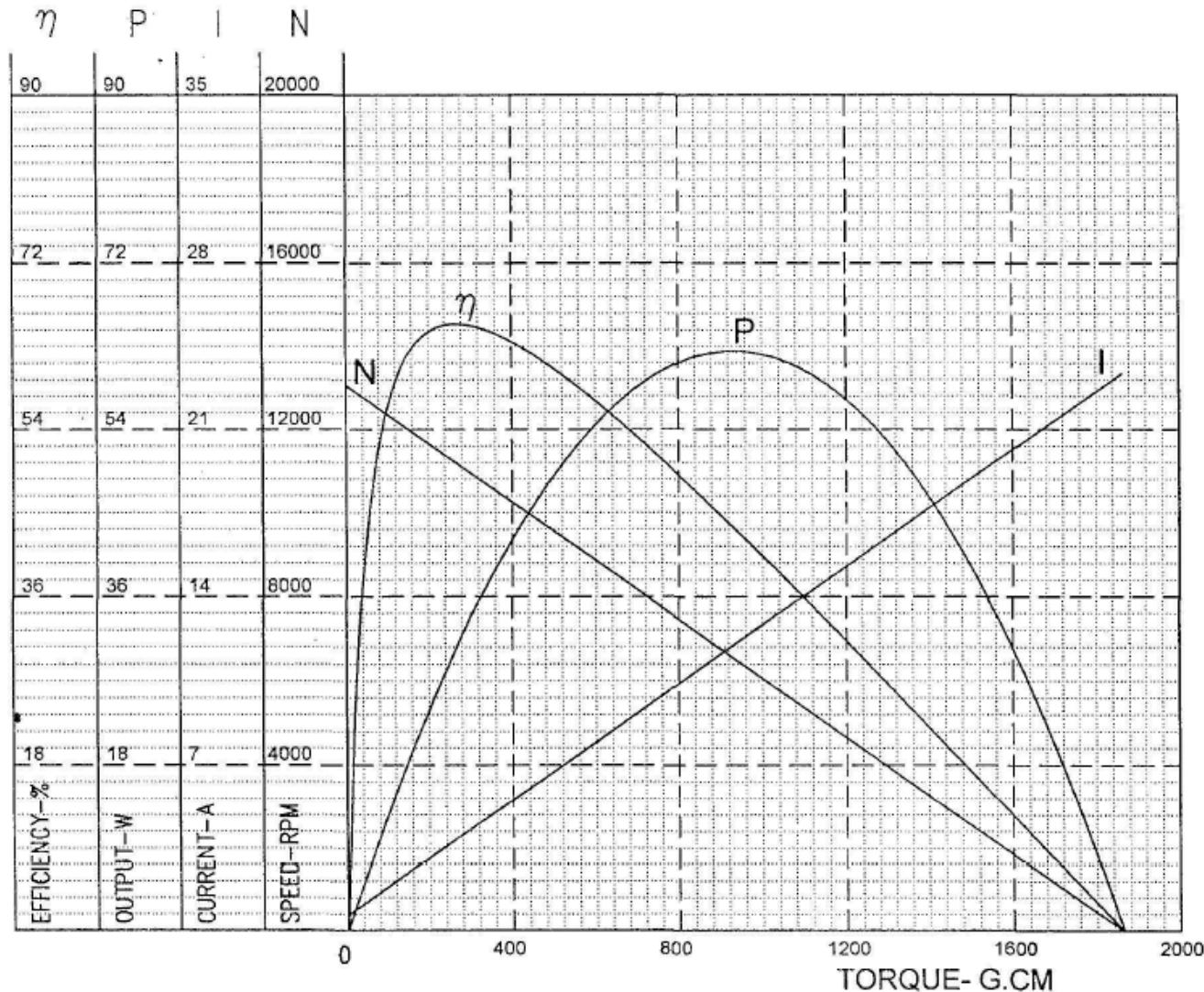
RED DOT INDICATES
POSITIVE TERMINAL

MOTOR PERFORMANCE CURVES AND CHARACTERISTICS:

馬達特性曲線

VOLTAGE: 12V

SSO#: 68145



PERFORMANECE(性能)

AT NO LOAD(空載點)

SPEED(轉速) = 13068 RPM
CURRENT(電流) = 0.655 AMP

AT STALL EXTRAPOLATION(堵轉點)

TORQUE(力矩) = 1863.8 g.cm
CURRENT(電流) = 23.343 AMP

AT MAXIMUM EFFICIENCY(最大效率點)

EFFICIENCY(效率) = 65.42 %
SPEED(轉速) = 11193 RPM
TORQUE(力矩) = 267.4 g.cm
CURRENT(電流) = 3.91 AMP
OUTPUT(功率) = 30.699 WATTS

AT MAXIMUM OUTPUT(最大輸出點)

SPEED(轉速) = 6534 RPM
TORQUE(力矩) = 931.9 g.cm
CURRENT(電流) = 11.344 AMP
OUTPUT(功率) = 62.453 WATTS

THE CURVES REPRESENT THE THEORETICAL PERFORMANCE

1. Motor Type:
馬達類型

Small PMDC motor
微型直流馬達

2. Standard Operating Conditions:
標準工作條件

2-1 Rated Voltage(額定電壓):

12V DC CONSTANT between motor terminals(端子電壓12V).

2-2 Direction of Rotation(旋轉方向):

CCW when viewed from output shaft side(從輸出軸端看C.C.W).

3. Measuring Conditions:
測試條件

3-1 Motor Position(馬達放置狀態):

Motor to be held with shaft horizontally(馬達水平放置).

3-2 Power Supply(電源):

Regulated power supply which assures unquestionable measurement(確保測試沒問題的穩壓電源).

3-3 Environment Temperature and Humidity(環境溫度及濕度):

The test is made in principle at a temperature between 15°C and 35°C and at a relative humidity 75%(一般在15°C~35°C及相對濕度75%的環境下測試).

4. Electrical Characteristics (at initial stage after 30 seconds run-in):

電氣特性(起動30秒后的初始階段)

4-1 No Load Current(無負荷電流):

0.92A max.

4-2 No Load Speed(無負荷轉速):

13100±1970rpm.

4-3 Rated Load(額定負載):

297 g.cm

4-4 Rated Speed(額定轉速):

10900±1310rpm.

4-5 Rated Current(額定電流):

5.15A max.

4-6 Motor Characteristic Curve(馬達性能曲線):

See Motor Performance Curves And Characteristics(看馬達特性曲線圖).

5. Mechanical Characteristics:
機械特性

5-1 External Appearance(外形):

See Outline(看外形圖)

5-2 End Play(虛位):

0.5 mm max

5-3 Runout of Shaft Extension(軸突端跳動):

0.05 mm max.

5-4 Motor Weight(馬達重量):

Approx 152 g