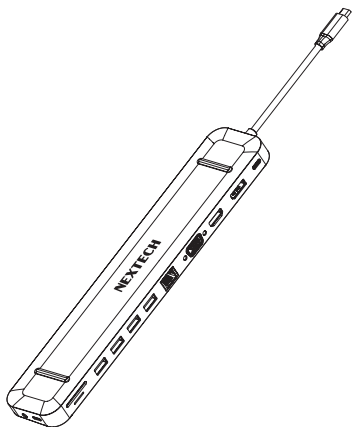


NEXTECH

XC5907



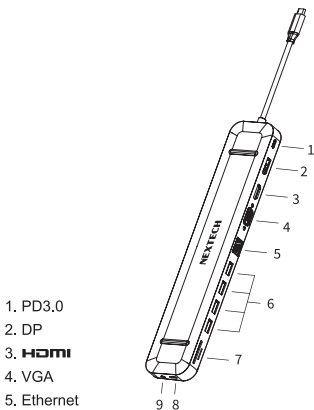
13 in 1 Multifunction USB Type-C Power Hub

Instruction Manual

Product Introduction

This is a metallic multifunctional USB-C docking, which can extend the USB-C port on your laptop. More ports can be extended including HDMI, VGA, Audio/Mic, DP, USB-C, Ethernet, USB3.0 and SD&TF Card Reader and USB-C female PD charge.

Product Diagram



Features

1. PD 3.0

Support 100W power in;
Charging limited to 87-96W for safety,
affected by different firmware.

2. DP

4Kx2K 3840x2160 @60Hz(work separately if source is DP1.4)
4Kx2K 3840x2160 @30Hz(work separately if source is DP1.2)
4Kx2K @30Hz while HDMI & DP work simultaneously.
DP will be 1080P while HDMI&VGA&DP work simultaneously.

3. HDMI

4Kx2K @60HZ(3840x2160), downward compatible with
1080P, 1080I, 720P.

HDMI will be 1080P while HDMI & VGA work simultaneously.

HDMI will be 1080P while HDMI&VGA&DP work simultaneously.

4. VGA: 1080P @60Hz

5. Max Ethernet Speed: 1000M

6. USB 3.0

5Gb/s data transfer, downward compatible with USB2.0;
power supply up to 4.5W Max.

7. SD/TF Card Reader

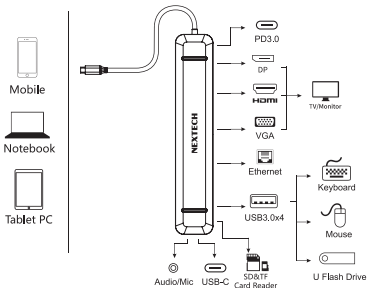
Read: 50 - 104MB/s; Write: 30 - 40MB/s;
affected by card's quality.

8. USB - C 3.0

Data+downstream charge: 5Gbps, 5V/0.9A@4.5W

9. 3.5mm Audio/Mic

Connection



Notes

1. The USB-C source devices (mobile/notebook/tablet PC) must support video output.
2. The USB-C source devices (mobile/notebook/tablet PC) must support OTG.
3. Maintaining a solid connection and supplying working current is recommended.

FAQs

a. Why is there no video output?

1. Please check the connection is good.
2. Please use standard HDMI cable.

b. Why is there no audio output from HDMI port?

1. Please make sure that there is audio output function on the monitor.
2. Please set the external monitor as default audio output device.

Distributed by:
Electus Distribution Pty. Ltd.
320 Victoria Rd, Rydalmere
NSW 2116 Australia

www.electusdistribution.com.au

Made in China



The terms HDMI, HDMI High-Definition Multimedia Interface, and the HDMI Logo are trademarks or registered trademarks of HDMI Licensing Administrator, Inc.