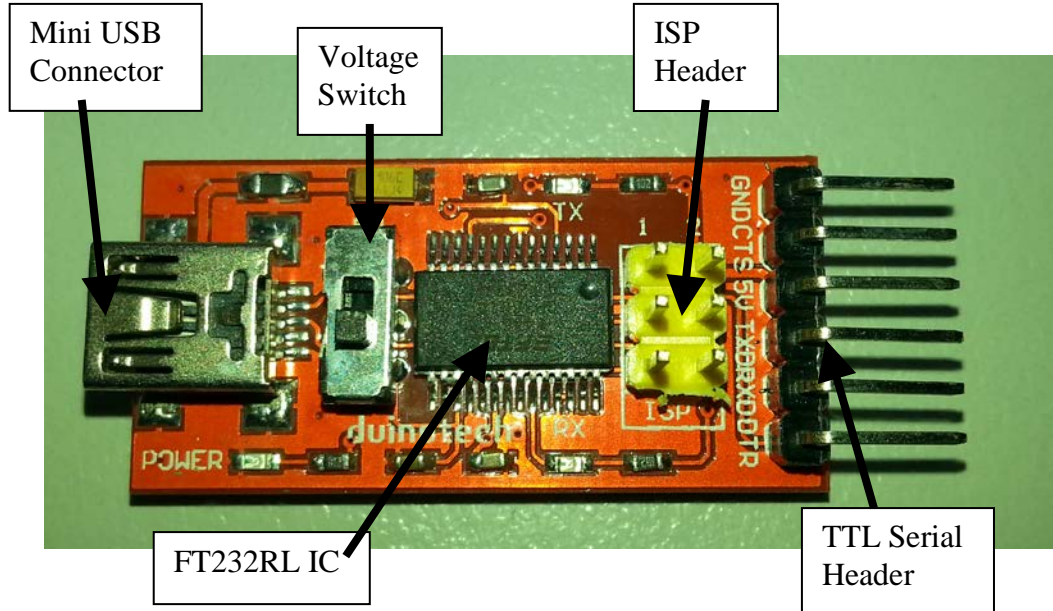


XC4464 USB Serial Adapter Module:

A mini-USB to 6-pin serial port module used to communicate with Arduino boards and modules. It uses the original FT232 chip with power/sending/receiving indicator and also a selectable 3.3V and 5V power option to suit different boards.



Mini USB Connector:

Use this connector to connect to a USB host such as a computer with a USB-A to Mini USB-B cable.

Voltage Switch:

Set to 5V to output 5V level TTL signals, or switch to 3.3V (as per position in above photo) to output 3.3V LVTTL levels. Most Arduinos will happily work at either 3.3V or 5V settings. Note that the 5V Header Pin is always at 5V as it is fed straight from the USB socket, the switch just changes the voltage levels on the data pins.

FT232RL IC:

The IC manufacturer's datasheet can be found at:

http://www.ftdichip.com/Support/Documents/DataSheets/ICs/DS_FT232R.pdf

The IC supports Baud rates from 183 Baud to 3 MBaud.

Drivers can be found at:

<http://www.ftdichip.com/Drivers/VCP.htm>

Alternatively, the drivers should already be installed if you have the Arduino IDE installed (the Nano uses the same IC to communicate).

ISP Header:

Can be used to reprogram the FT232RL IC, but is not needed for normal operation.

TTL Serial Header:

Header:	Function:	Comments:
GND	Ground Connection	
CTS	Clear to send	Not usually needed. Can be used to pause data flow.
5V	5V Power out	Can be used as a source of 5V power from USB.
TXD	Transmit data out	Usually connected to RXD on remote device
RXD	Receive data in	Usually connected to TXD on remote device
DTR	Data terminal ready	Not usually needed