



# Rechargeable Head & Bike Torch Kit

ST-3467



**Specifications:**

Light Modes:	High, Medium, Low, Flashing
Mount:	Handlebars, Headstrap
Water Resistant:	Yes
Lumens:	1200
LED Life:	100,000 Hours
Burn Time:	20hrs on low brightness
Recharge Time:	3.5 Hours
Weight:	225g
Dimensions:	54mm(L) x 42mm(Dia.)

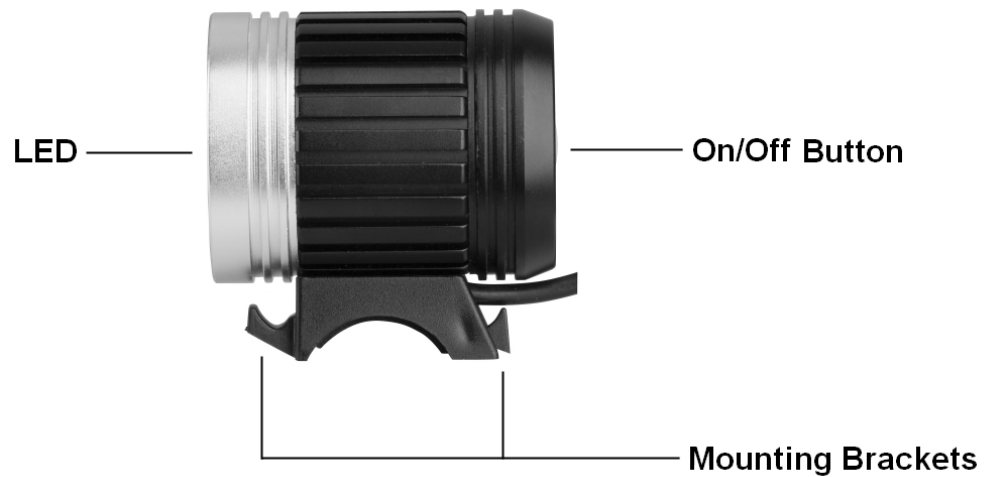
**Recharging the battery:**

- Attach the charger plug to the battery socket.
- While charging, the LED on the charger will be red.
- When the battery is fully charged, the light will be green.

**Torch Function:**

- Connect the torch plug to the battery socket.
- The torch has a push On/Off button. Push the button to change between the different light modes:
  1. Low Brightness
  2. Medium Brightness
  3. High Brightness
  4. Flashing

## Mounting the Torch:



To mount the Torch to the headlamp:

- Match the concave curve of the torch to the convex curve of the headstrap mount.
- Use the rubber ring provided to hook around the mounting brackets on the front or back, through the gap of the headstrap mount (as shown in the photos), and hook over the mounting bracket on the other side.

To mount the Torch to a bike:

- Match the concave curve of the torch to the curve of a bike handle.
- Use the rubber ring provided to hook around the mounting brackets on the front or back, curve around the bike handle, and hook over the mounting bracket on the other side.



**NOTES:**

- Ensure to keep the torch off when not in use.
- Ensure to unplug the battery from the torch when in storage.
- Never recharge the batteries near a heat source.
- Never get the charger wet.
- Never attempt to open, repair, or modify any part of the torch or the accessories included.

Distributed by:  
TechBrands by Electus Distribution Pty. Ltd.  
320 Victoria Rd, Rydalmere  
NSW 2116 Australia  
Ph: 1300 738 555  
Int'l: +61 2 8832 3200  
Fax: 1300 738 500  
[www.techbrands.com](http://www.techbrands.com)