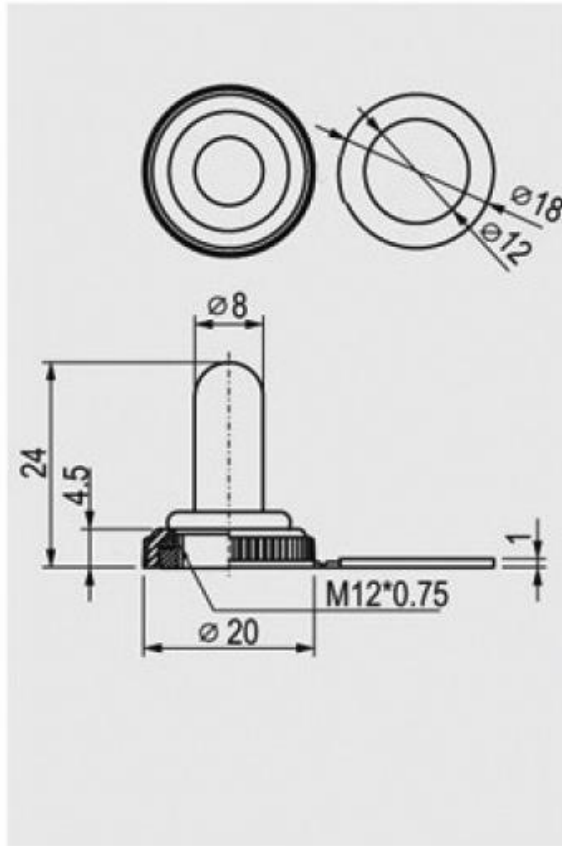


# ST0592 Datasheet



**Material :**  
**SILICON RUBBER**

**Nut :**  
**M12\*0.75**

**Availability :**  
**For Toggle Switch**  
**Lever Height : 20mm**