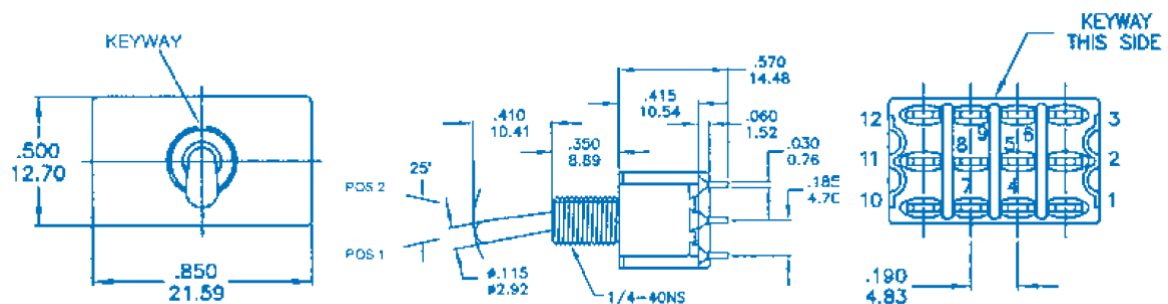


ST0506 Datasheet

GENERAL SPECIFICATIONS

Electrical life (make - and - break cycles at full load)	40,000
Contact resistance (@2 - 4VDC @ 100mA)	10mΩ
Insulation resistance (any contact to body)	1,000mΩ
Dielectric strength (@ sea level)	1,000VRMS
Contact rating (with resistive load)	2A @ 250VAC
Contact rating (with resistive load)	5A @ 28VDC

Dimensional Diagram:



Contacts:

Model	Positions	Position 1	Position 2
ST0506	on-on	2-3, 5-6, 8-9, 11-12	2-1, 5-4, 8-7, 11-10

Composition:

SWITCH MATERIALS CASE:	Diallyl Phthalate (DAP) (UL94V-0)
TOGGLE HANDLE:	Brass, chrome plated
BUSHING:	Brass, nickel-plated
HOUSING:	Stainless Steel
TERMINALS:	Gold/Silver plated
SWITCH SUPPORT COMPONENTS:	Brass, electro-tin plated