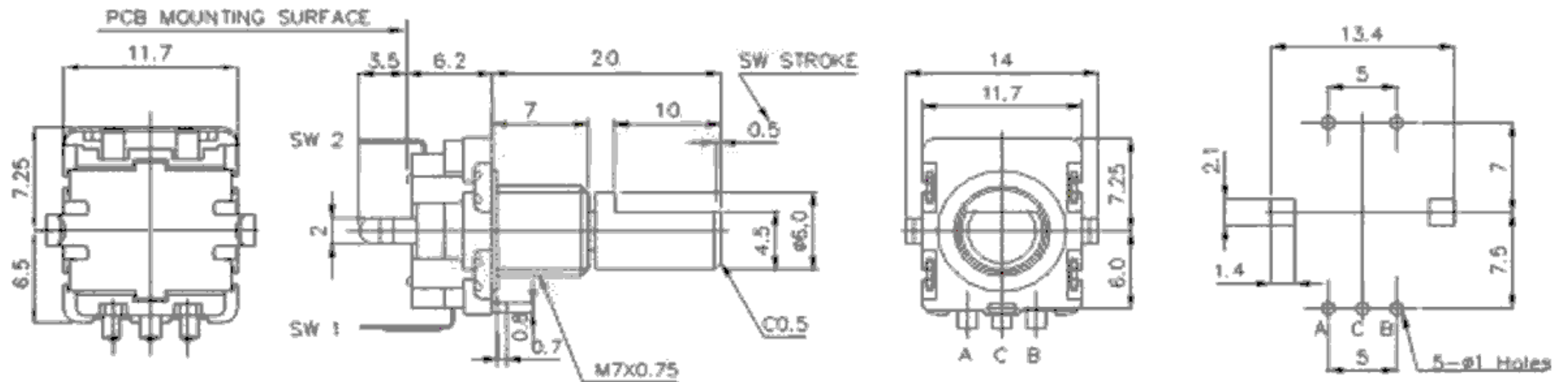


# SR1230 DATASHEET:

Contact rating 5V, 10mA.



P.C.B MOUNTING DETAIL

Resolution (Pulses/rotation)	Detent number	Output signal format		
		Shaft rotational direction	Signal	Output
15/360°	30	C.W.	A(Terminal A-C)	<p>OFF</p> <p>ON</p>
			B(Terminal B-C)	<p>OFF</p> <p>ON</p>