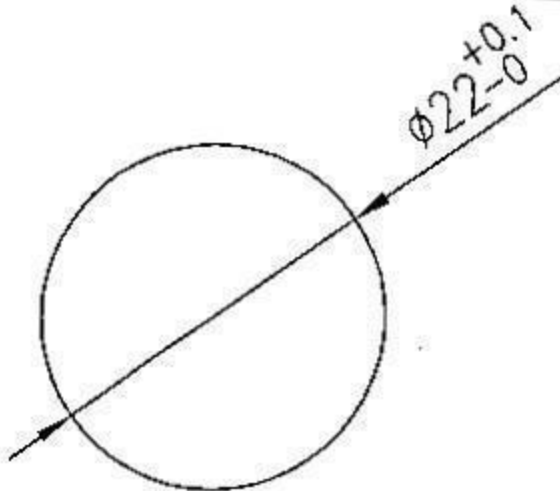
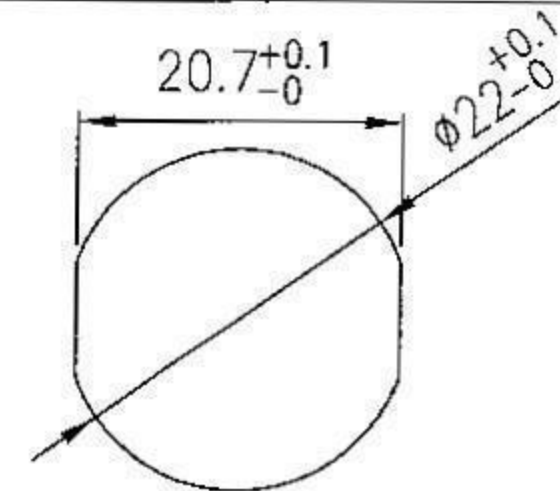
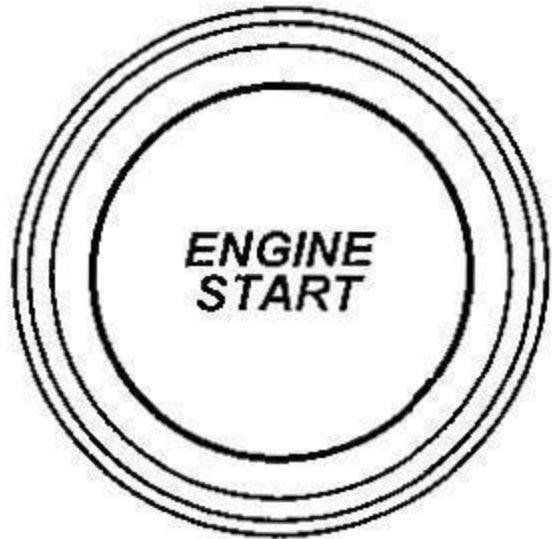
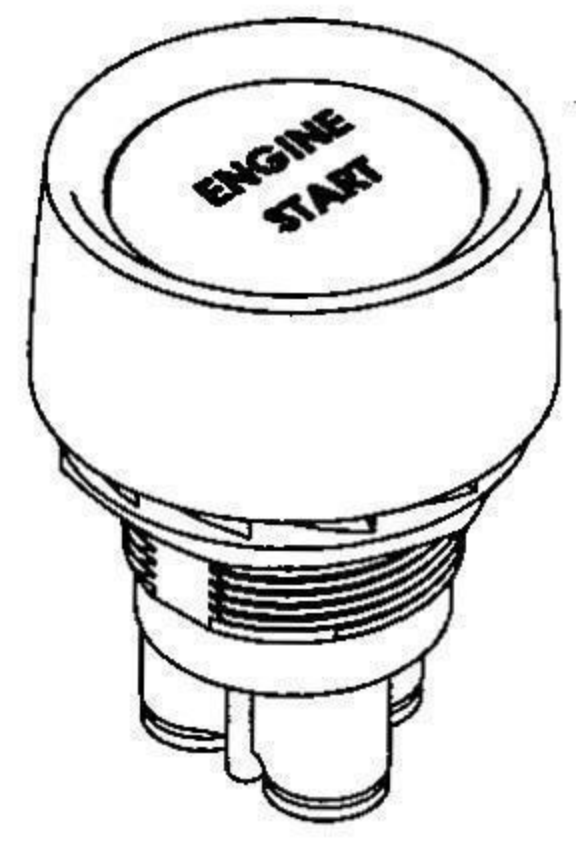
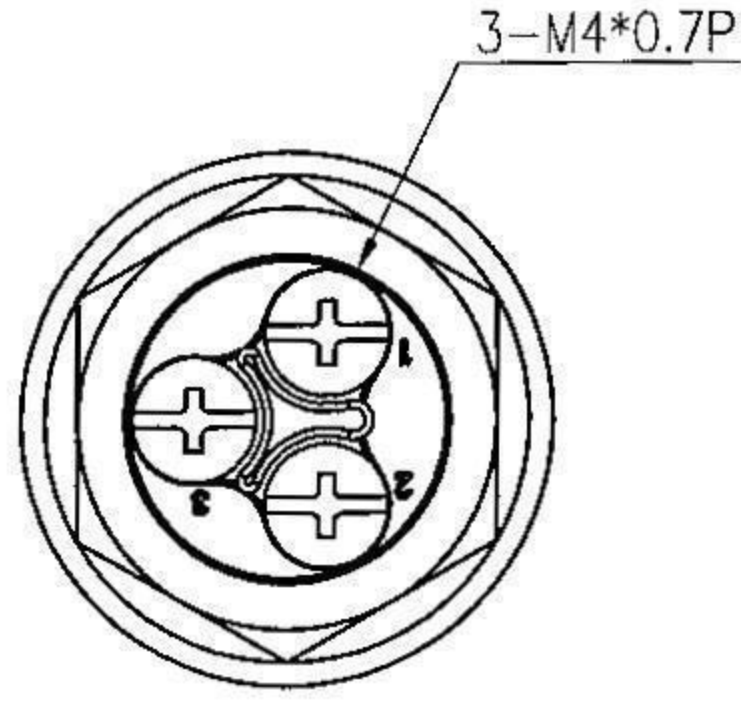
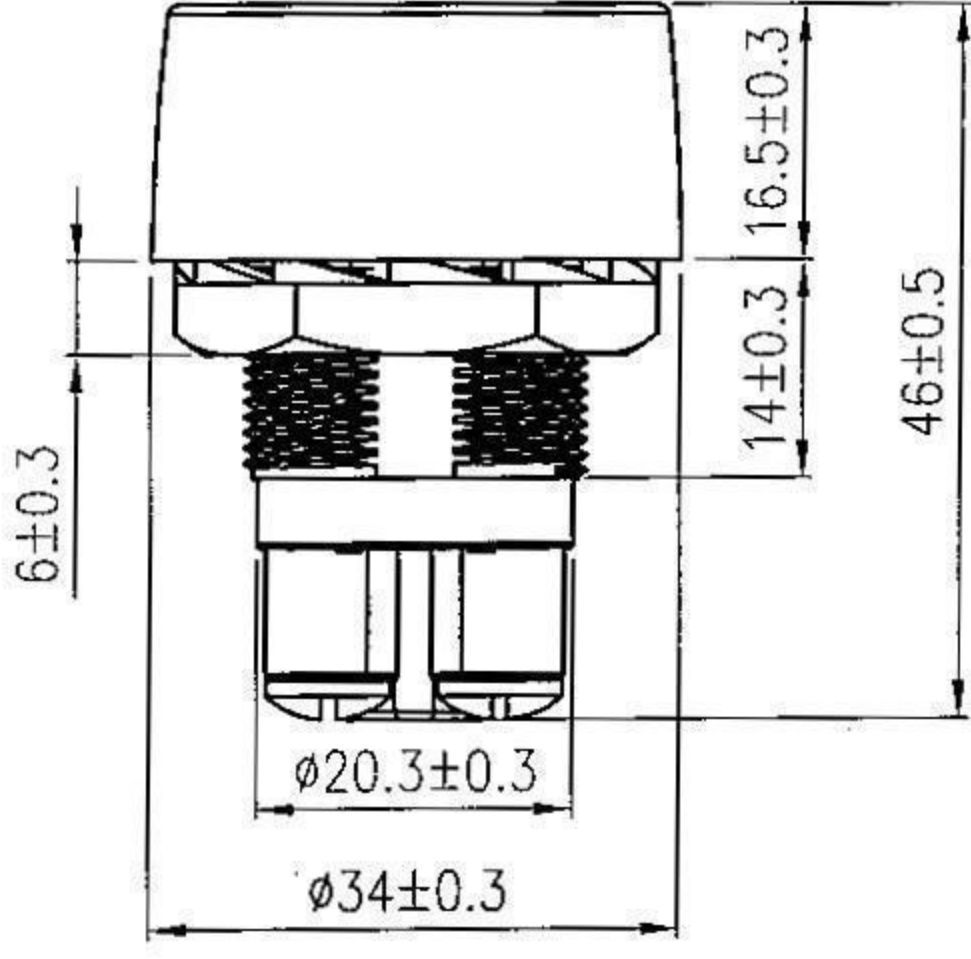
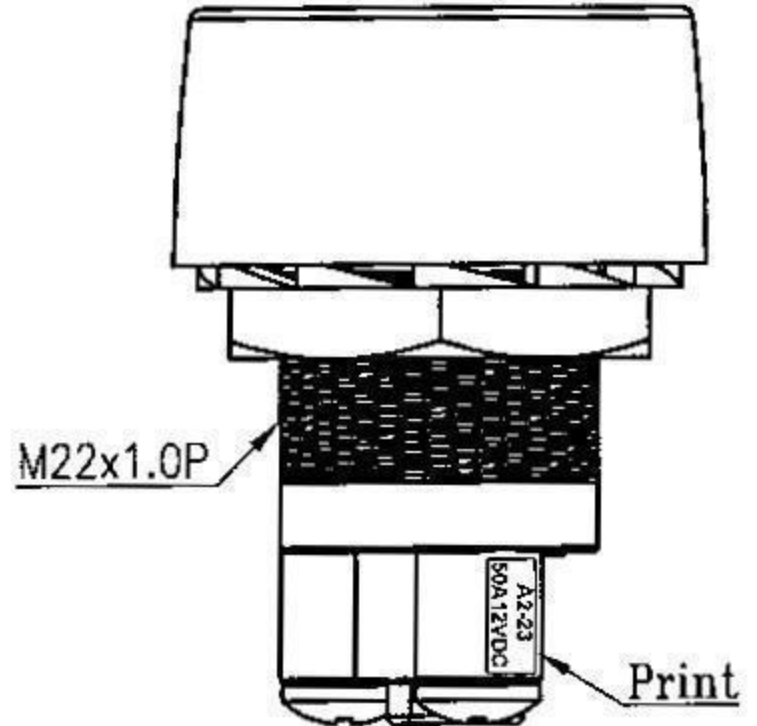
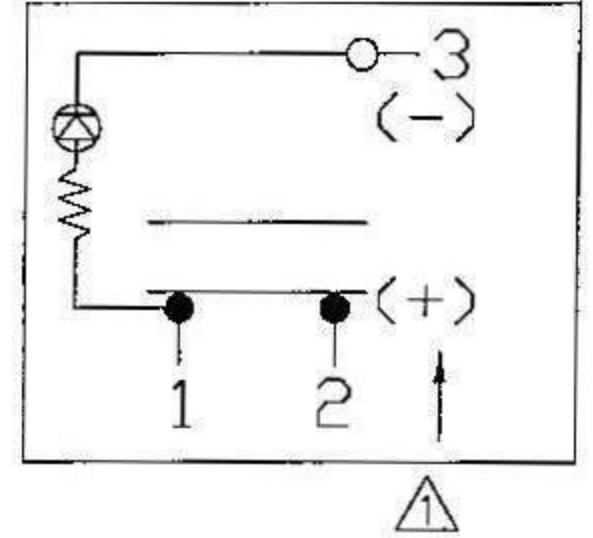


Rating	50A 12VDC	Mounting Hole	
Contact Resistance	50m ohm Max.		
Insulation Resistance	DC 500V 100M ohm Min.		
Dielectric Strength	AC 1500V 1 minute		
Operation Temperature	-25°C~85°C		
Circuit	3P SPST (ON)-OFF (LED)	Thickness:9.0mm max.	Thickness:9.0mm max.



MATERIAL:
 Frame: Nylon 66 (94V-2), Black
 Cover: ABS (94HB)
 Actuator: PC (94V-2), Color
 Terminals: Copper Alloy
 Contacts: Copper Alloy+AgSn02In03



U-FO TOP-TECH CO., LTD.
 TEL:886-2-2753 0754 FAX:886-2-2753 0753
 E-MAIL:ufotech@ms29.hinet.net

Part Name	Starter Button Switch
Part No.	SP0773
Unit	mm