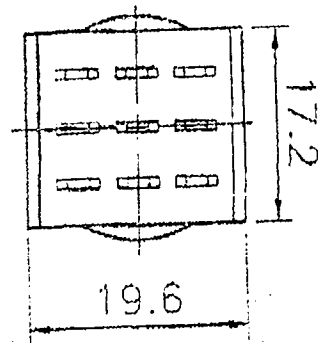
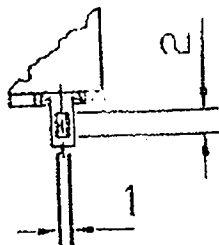
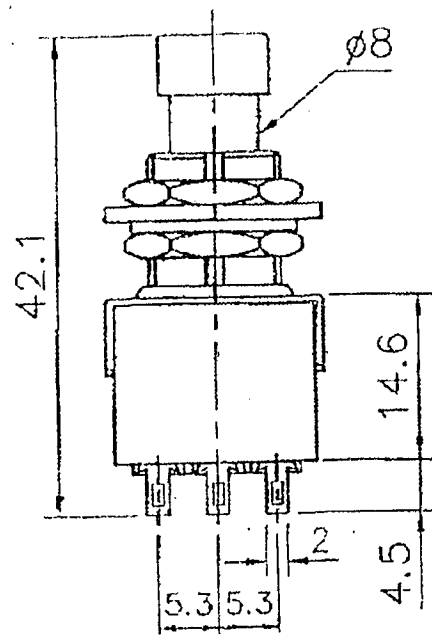
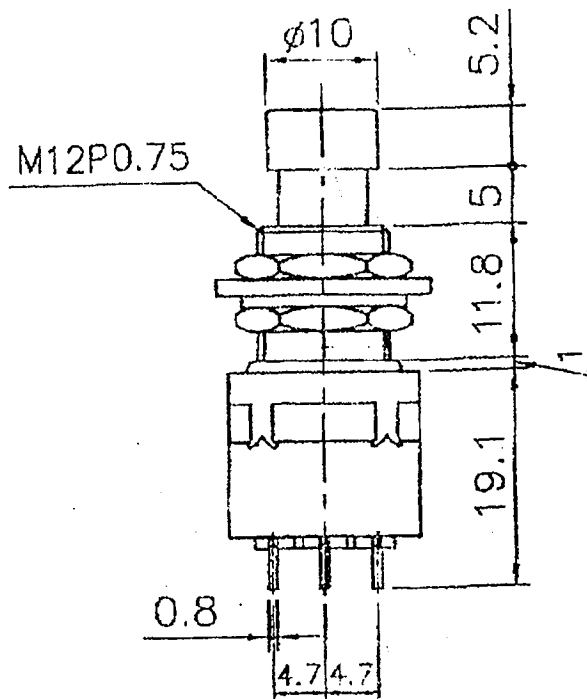


FOOT PEDAL PUSH SWITCH



GENERAL SPECIFICATION:

- ★ Rating: AC125V/4A, AC250V/2A
- ★ Contact Resistance: 20M Ω Max
- ★ Insulation Resistance: DC500V, 100 M Ω Min.
- ★ Dielectric Strength: AC1000V 1 minute.
- ★ Electrical Life: 20,000 make-and-break cycles at full load.
- ★ Operating Temperature: -20°C ~ + 65°C