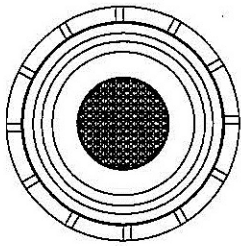
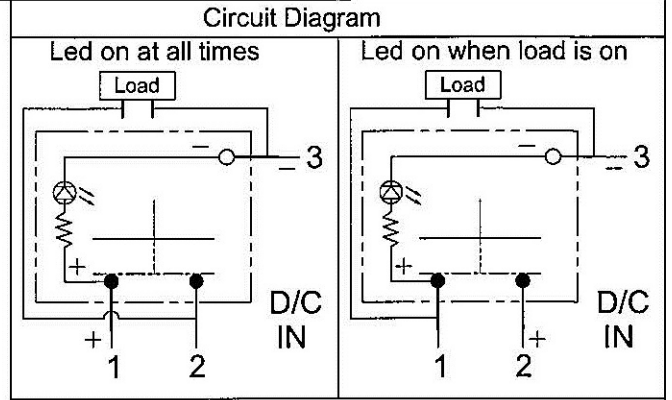
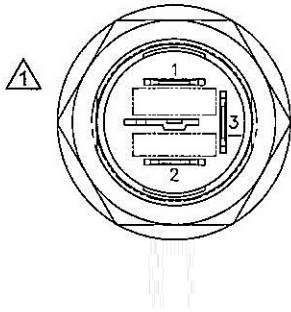
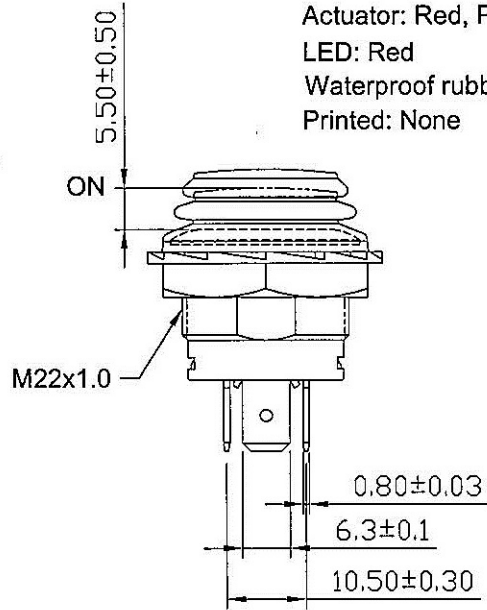
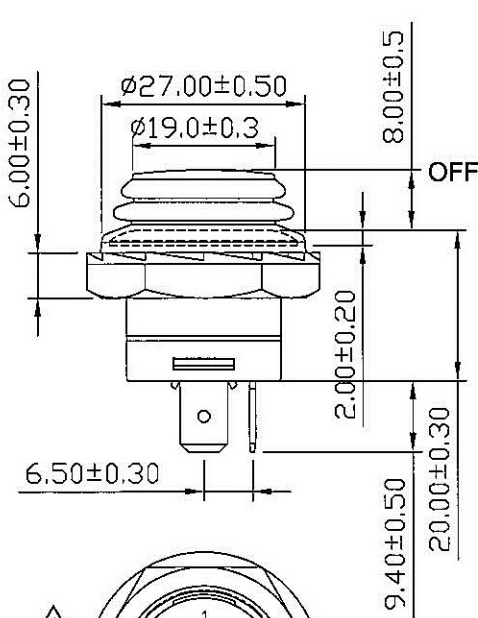


Rating	10A 14VDC	<p style="text-align: center;">Mounting Hole</p>
Contact Resistance	50m ohm Max.	
Insulation Resistance	DC 500V 100M ohm Min.	
Dielectric Strength	AC 1500V 1 minute	
Operation Temperature	-25°C~85°C	
Switch Function	3P SPST OFF-ON	

*Electrical life at full load: 20,000cycles.
 *Waterproof: IP65



MATERIAL:
 Frame: Black, Nylon 66 (94-V2)
 Actuator: Red, PC clear (94-V2)
 LED: Red
 Waterproof rubber: Black, Silicone
 Printed: None



Model Name	PUSH SWITCH
Model No.	SP0759
Unit	mm