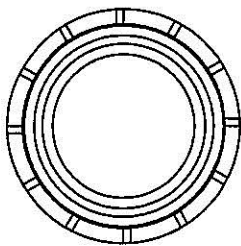
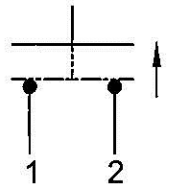


Rating	10A 14VDC	Mounting Hole	
Contact Resistance	50m ohm Max.		
Insulation Resistance	DC 500V 100M ohm Min.	$\phi 28.00$	$\phi 28.00$
Dielectric Strength	AC 1500V 1 minute	Thickness	Thickness
Operation Temperature	-25°C~85°C	Thickness:7.0mm max.	Thickness:7.0mm max.
Switch Function	2P SPST OFF-(ON)		

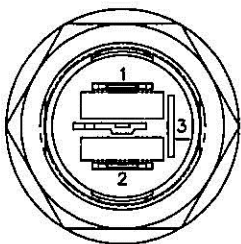
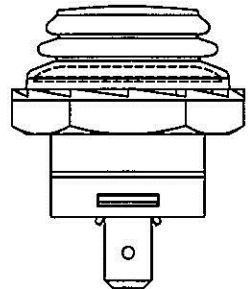
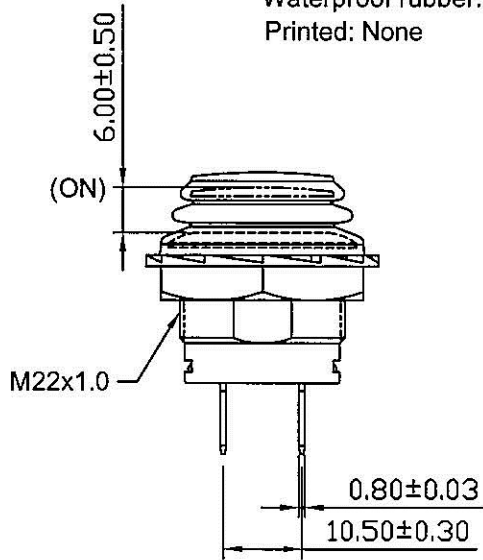
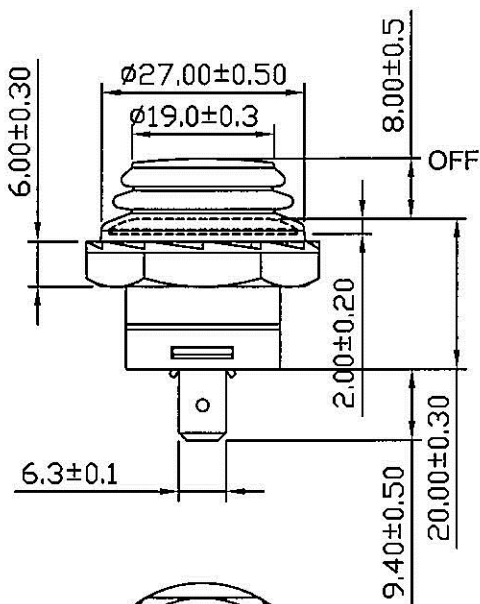
*Electrical life at full load: 20,000cycles.
 *Waterproof: IP65

Circuit Diagram



MATERIAL:

Frame: Black, Nylon 66 (94-V2)
 Actuator: Black, PC (94-V2)
 Waterproof rubber: Black, Silicone
 Printed: None



Part Name	PUSH SWITCH
Part No.	SP0756
Unit	mm