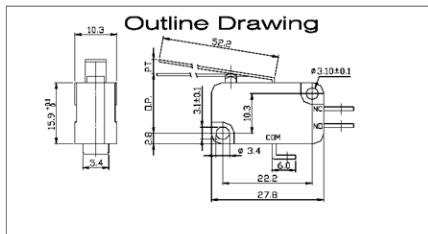
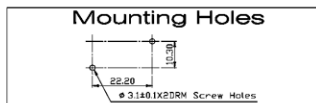
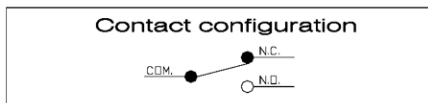
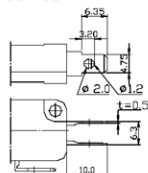


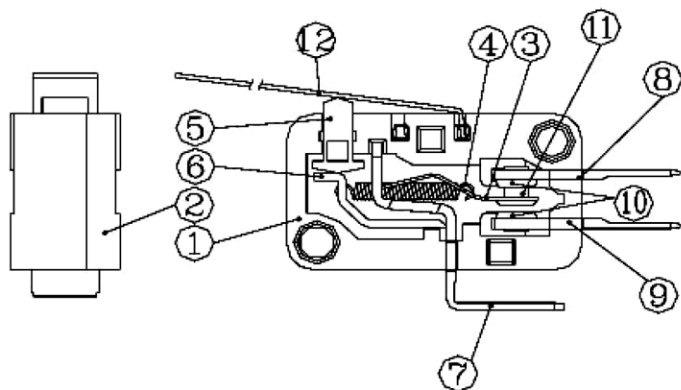
SM1039

A. General: 1. Operating temperature 2. Ambient humidity	-40°C ~ +105°C 85%RH Max.
B. Contact arrangement	See Next page
C. Rating	5A 125/250VAC
D. Performance: 1.Electrical: a.Contact resistance b.Insulation resistance c.Dielectric withstanding voltage 2.Mechanical: a.Operating force b.Operating point c.Operating speed d.Operating frequency	50mΩ Max(initial) 100MΩ Min.(at DC500V) 1000 VAC (50 or 60Hz)/1 min. 50 gf Max 15. 2 ± 2. 6mm 0.1mm/sec to 0m/sec. Mechanical-----Less than 300 Operations/Minute Electrical-----Less than 10 Operations/Minute
E. Endurance: 1 .Mechanical (None load) 2.Electrical (With load) 3.Soldering temperature	Over 300,000Times Over 10,000 Times (Rated load) 255±5°C Max (5sec)



Quick Connect
187 Series





No.	Item	Material	Color
1	Housing	PBT+20%G.F	---
2	Cover	PBT+20%G.F	---
3	Movable Blade	PBS(Plating Ag)	---
4	Spring	Stainless(SUS304)	---
5	Button	POM	---
6	Support	Brass(Plating Ag)	---
7	COM Terminal	Brass(Plating Ag)	---
8	NC Terminal	Brass(Plating Ag)	---
9	NO Terminal	Brass(Plating Ag)	---
10	Silver Contact	AgNi 12%+Cu	---
11	Silver Contact	AgSnO ₂ 12%	---
12	Lever	Stainless(SUS301)	---