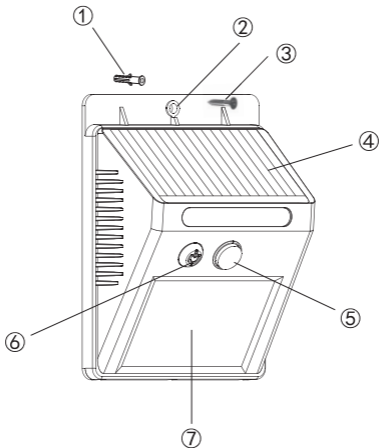




User Manual

Solar Motion Sensor Light





- 1) Expansion Pillar-Hinge
- 2) Hole
- 3) Screw
- 4) Solar Panel
- 5) PIR Motion Sensor
- 6) On / Off Button
- 7) LED Panel Light

Specifications:

Solar Panel:	0.55W, 17% Efficiency
Battery:	3.7V 800mAh
Daylight Sensor:	<10 Lux
Motion Detector	
Angle:	120°
Distance:	3m
Weight:	128g
Dimensions:	95(W) x 124(H) x 48(D)mm

Features:

- PIR Motion Sensor and Night Sensor
- Recharges via Solar Panel
- 12 Hours Lighting from One Day of Charge
- Waterproof, heatproof and durable - IP44 Rated
- Built-In Energy Saving

Operation Instructions:

1. Unlock and Activate the Solar Light

The internal battery is locked at the factory for safe shipment. Press the “on/off” button to unlock the battery and lighting system.

2. Install Device

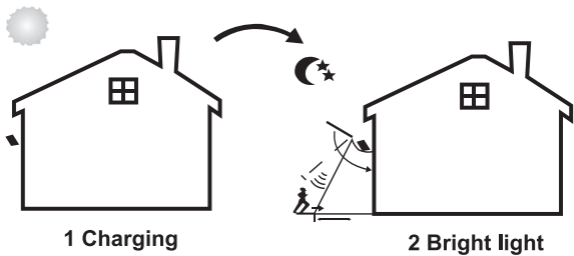
Please use the supplied expansion pillar-hinge and screws to mount the device on a pole or wall.

3. Charging Via Solar Panel

Install the unit with panel facing North (if North is not available, Northwest or Northeast are best options followed by Due East or Due West) and make sure the solar panel receives sunlight directly without any obstructions. The device will fully charge in one day under ideal bright sunlight.

4. Night Sensor Function

Device will automatically turn on when motion is detected in darkness or at night, and automatically turn off during daytime or in a bright area.



Warning:

- Keep the device away from fire, water and moist places in order to avoid damage.
- Any sever shock to the charger is not recommended.
- Only a professional technician should attempt to disassemble the charger in order to avoid damaging the device.

Please Note:

1. Please fully charge the device before first use.
2. If there is no good sunlight in months, the battery may run completely flat and will need to be recharged via bright sunlight. Once fully charge please unlock the device and lighting system to prevent damage.
3. If the light blinks this means the power is very low. You must charge the device via sunlight or it will stop working.
4. If there is no good sunlight it may take longer to fully charge the device.

Box Contents:

1 x Solar Motion Sensor Light

2 x Double-Sided Adhesive Tape Strips

2 x Expansion Pillar Hinges

2 x Screws

Distributed by:

TechBrands by Electus Distribution Pty. Ltd.

320 Victoria Rd, Rydalmere

NSW 2116 Australia

Ph: 1300 738 555

Int'l: +61 2 8832 3200

Fax: 1300 738 500

www.techbrands.com

Made in China