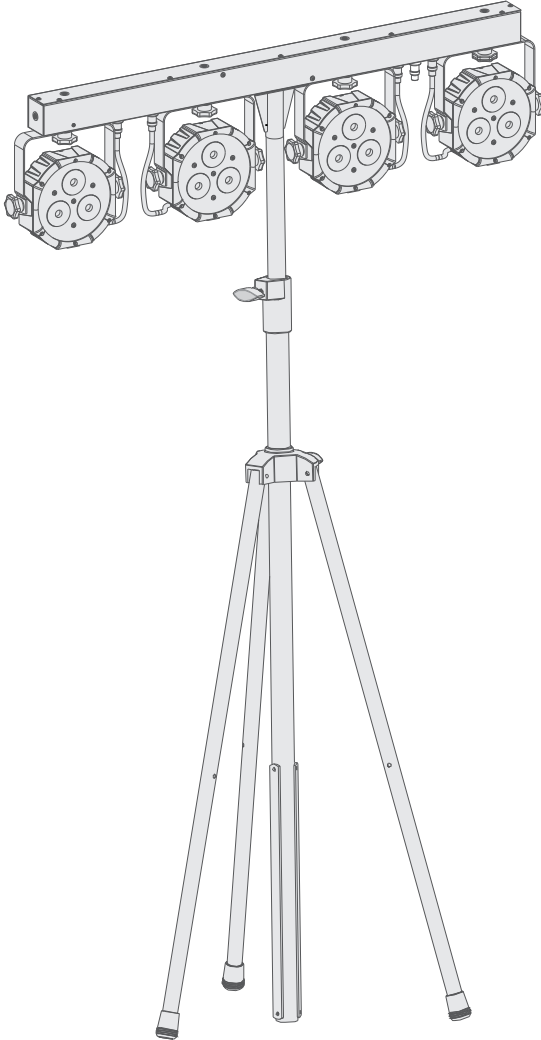


Rave

Power Light Party Bar Kit



SL-3469

User Manual

Box Contents

- 1 x Light bar
- 1 x power lead
- 1 x foot operated controller
- 1 x stand
- 2 x carry bags
- 2 x bracket holders

Read Manual before Operation

Before operating this device, please read this manual thoroughly and retain it for future reference.

Warning Data

Please note the warnings in bold which will ensure the safe and smooth operation. These warnings are important to a certain extent.



CAUTION
RISK OF ELECTRIC SHOCK
DO NOT OPEN

Caution: To reduce the risk of electric shock, do not remove the top cover. No user-serviceable parts inside. Refer servicing to qualified service personnel only.



The lighting flash with arrowhead symbol within the equilateral triangle is intended to alert the user of the presence of un-insulated "dangerous voltage" within the product's enclosure that may be of sufficient magnitude to constitute a risk of electric shock.



The exclamation point within the equilateral triangle is intended to alert the user to the presence of important operation and maintenance (servicing) instructions in literature accompanying this appliance.



This symbol means: indoor use only



This symbol means: Read instructions



Attention! Indicates a skill or other useful information for special situations.



Important! Indicates important information to protect personnel from laser incident or injury.

Unpacking Instructions

Carefully unpack the carton, checking contents to ensure that all parts are in good condition. Inform the retailer immediately and retain packing material for inspection if any parts or device are damaged.

Attention!

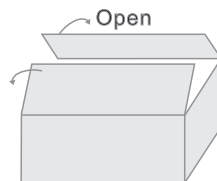
This unit is in perfect condition before delivery, Please check all accessories when unpacking the unit. The user should follow this user manual to operate this unit, and make sure that you are clear on all laser safety information and unit operation before power is on. Any wrong operation will make this unit out of warranty.

Carefully move after receiving it, checking whether there is any damage from shipping, and all accessories are included.

What is included

The carton contains the following items:

NAME	QTY
LED Bundle and Carrying bag	1 SET
Stand and Carrying bag incl	1 SET
Footswitch	2 PCS
IEC powercable	1 PCS
User manual	1 PCS



Safety Instructions or Overhead Rigging

Safety Instructions

- ◆ Unpack and check carefully there is no transportation damage before using the unit.
- ◆ Before operating, ensure that the voltage and frequency of power supply match the power requirements of the unit as stated in this manual.
- ◆ The unit is for indoor use only. Use it only in a dry location. Exposing the device to rain or moisture would cause the risk of electrical shock or fire.
- ◆ The unit must be installed in a location with adequate ventilation, at least 50cm from adjacent surfaces. Be sure that no ventilation slots are blocked.
- ◆ Disconnect the device from the mains power before any servicing or maintenance.
- ◆ Never sever the power cord's earth wire of any device. Otherwise a LIFE THREATENING situation exists!
- ◆ Replace the fuse only with the same type. Never use any other type of fuse.
- ◆ Keep any flammable material away from the unit while it is operating. Otherwise you run the risk of causing a fire.
- ◆ In the event of a serious operating problem, stop using the unit immediately. Never try to repair the unit by yourself. Repairs carried out by unskilled people can lead to damage or malfunction. Please contact the nearest authorised technical assistance centre. Always use the same type spare parts.
- ◆ There are no user serviceable parts inside the unit. Do not open the housing or attempt any repairs by yourself. If the unit shows any visible damage or if your unit may require service, please contact the retailer.
- ◆ NEVER use the unit under the following conditions:
 - > In places subject to vibrations or bumps.
 - > In places with a temperature of over 45 °C or less than -20 °C.
 - > In places subject to excessive humidity (ideal conditions are between 0% and 90%).

Overhead Rigging

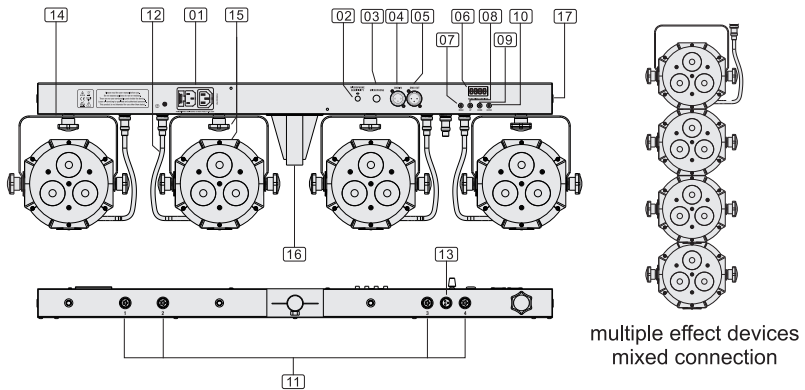


Attention!

The installation must be carried out by qualified service personnel only. Improper installation can result in serious injuries and /or damage to property. Overhead rigging requires extensive experience! Working load limits should be respected, Certified installation materials should be used, the installed device should be inspected regularly for safety.

- ◆ Make sure the area below the installation place is free from unwanted persons during rigging, de-rigging and servicing.
- ◆ Locate the fixture in a well ventilated spot, far away from any flammable materials and/or liquids.the fixture must be fixed at least 50cm from surrounding walls
- ◆ The device should be installed out of reach of people and outside areas where persons may walk by or be seated.
- ◆ Before rigging make sure that the installation area can hold minimum point load of 10times the device's weight.
- ◆ The device should be well fixed; a free swinging mounting is dangerous and may not be considered!
- ◆ Do not cover any ventilation opening as this may result in overheating
- ◆ Before the first time use, it must be inspected by professional staff to make sure safety, inspection regularly every year..

Operation instructions



Product operation diagram

NO	NAME	FUNCTION
1	POWER	Main input and output with IEC socket and integrated fuse holder, connect the supplied mains cable and next light
2	SENSITIVITY	This potentiometer is used to adjust the music input sensitivity.
3	Microphone	Microphone. Turn the knob to adjust the sound activated sensitivity.
4	DMX input	3PIN male XLR interface, for DMX communication
5	DMX output	3PIN female XLR interface, for DMX communication
6	LED display	DISPLAY shows the various menus and the selected functions.
7	MENU	Used to select the different menu items
8	Up	To go up in the menu and to increase the values shown on the display
9	DOWM	To go back in the menu and to lower the values shown on the display.
10	ENTER	Used to confirm your choice.
11	LED Interface	Connect LED panels interface
12	CALBE	Special cables with LED power signal for the passive LED panels
13	Foot switch Interface	Connect Foot switch interface
14	Panels	Passive LED panels
15	Adjustment	Pod pan tilt adjustment
16	Stand Connector	
17	Ground placement connector	

Menu operating instruction

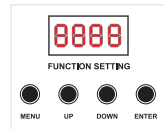
FUNCTION

The unit has five working modes:

- ◆ Auto mode – Built-in programs not controlled by foot pedal controller.
- ◆ Manual mode-RGB color mix
- ◆ Audio mode – automatic built in programs Sound activated
- ◆ DMX512 mode – DMX512 control via controller
- ◆ Foot Switch mode – Hold, black out, and control programs via the foot pedal.
- ◆ Ob3 – mode this allows control of unit using just 3 dmx channels RGB

MAIN MENU:

- ◆ To select any of the menu options, press the MENU button to select the mode required.
- ◆ Once you have made a selection then press ENTER to confirm.
- ◆ Use DOWN and UP button to choose the desired menu option.
- ◆ Just wait 20 seconds, the menu structure is shown below.



This product has a memory function. It will go directly into DMX mode after switching on, it show "A001". Once a menu has been selected the next time it is powered on the unit will show the mode you previously finished on.

MENU		ENTER	UP / DOWN	ENTER
Mode	Digital display			
DMX512 mode	A001	Specification modification	A.001-A.512 DMX address selection	Save and run
Auto mode	AP01		AP01-AP12 Built in programs	
Manual mode	CoLo		F.00-F.08 (8 speed options) note 00 is static	
			r.00-r.08 intensity of red color 00=off 08=brightest	
			g00-g.08 intensity of green color 00=off 08=brightest	
Audio	SoVo	b.00-b.08 intensity of blue color 00=off 08=brightest		
		F.00-F.08 (Increase Strobe speed 00=static 08 fast strobe)		
Obey3	Ob-3	3 channel dmx only rgb	No fucion	

Foot switch:

- ◆ The foot switch has 2 pedals
- ◆ The left pedal is blackout / on
- ◆ Pressing the left pedal once will blackout the unit and all par cans will go off
- ◆ Pressing the left pedal once again the unit will light and return to the position it was in before black out was pressed in black out mode the display will show OFF. Using the right hand foot pedal (programs) APon.
- ◆ By pressing the program pedal the unit will step through the built in options.
- ◆ Auto programs 1-12 and Auto programs ALL. The digital display will read "APon -> Ap01 -> AP02 -> AP03 -> Ap04-> AP05 -> AP06 -> AP07 -> AP08 -> AP09 -> AP10 -> AP11 -> AP12 -> ALL") as you step through the selection.
- ◆ You also can step on the "PROGRAMS" footplate again to select into R ->G ->B ->RG ->GB ->RB ->RGB -> modes.

Mode introduction or DMX Channels Chart

Mode introduction

DMX512 mode: To receive DMX512 controller and the slave data.

Auto mode: There are 12 modes under this the auto mode, from AP01 to AP12, on every mode you can set the running speed.

Manual mode: Direct RGB control of colour and strobe speed can be manually set under this mode. The display will show r-00 - r08 as you increase the value of the LED brightness increase and change. The display will show g-00 - g08 as you increase the value the LED brightness will increase and change, The display will show b-00 - b08 as you increase the value the LED brightness will increase and change, F-00 - F-08 is the Strobe Speed option and as you increase the value the Strobe speed will increase and change.

Audio mode: Under this mode, please adjust the Audio Sensitivity control knob on the rear panel to a suitable position, meanwhile, there are 4 modes, from SP00 to SP03, as you increase the value the sound mode will increase and change.

Foot Switch mode: There are 20 modes that can be selected. AP01-AP12 is the internal auto program, ALL means these 12 internal programs are running constantly.

DMX Channels Chart



Several optional operating modes were preprogrammed set into this laser projector at DMX channel 1. **Before control other DMX channels, please be sure that the channel 1 was set in proper mode (value).**

Channels	Function	VALUE	Description
CH1	Mode 1	000-009	RGB Color adjustment
	Mode 2	010-029	Internal program running 1
	Mode 3	030-049	Internal program running 2
	Mode 4	050-069	Internal program running 3
	Mode 5	070-089	Internal program running 4
	Mode 6	090-109	Internal program running 5
	Mode 7	110-129	Internal program running 6
	Mode 8	130-149	Internal program running 7
	Mode 9	150-169	Internal program running 8
	Mode 10	170-189	Internal program running 9
	Mode 11	190-209	Internal program running 10
	Mode 12	210-229	Internal program running 11
	Mode 13	230-249	Internal program running 12
	Mode 14	250-255	4 kinds of Audio mode Options

Note to operate Ch1 Ch3 must have a speed value set

DMX Channels Chart or Working mode Options

DMX Channels Chart

CH2	Dimmer 0-100%	000-255	RGB brightness 0-100%
CH3	Strobe speed / chase speed	000-015	No – Strobe
		016-255	Strobe of Running speed choose
CH4	Adjust the red brightness	000-255	The first Red LED 0-100%
CH5	Adjust the green brightness	000-255	The first Green LED 0-100%
CH6	Adjust the blue brightness	000-255	The first Blue LED 0-100%
CH7	Adjust the red brightness	000-255	The second Red LED 0-100%
CH8	Adjust the green brightness	000-255	The second Green LED 0-100%
CH9	Adjust the blue brightness	000-255	The second Blue LED 0-100%
CH10	Adjust the red brightness	000-255	The third Red LED 0-100%
CH11	Adjust the green brightness	000-255	The third Green LED 0-100%
CH12	Adjust the blue brightness	000-255	The third Blue LED 0-100%
CH13	Adjust the red brightness	000-255	The forth Red LED 0-100%
CH14	Adjust the green brightness	000-255	The forth Green LED 0-100%
Ch15	Adjust the blue brightness	000-255	The forth Blue LED 0-100%

Working mode Options



Important! The electrical installation should be carried out by qualified personell only, according to the regulations for electrical and mechanical safety in your country.

Stand-alone Mode

Stand-alone: You can choose between Auto,Manual mode,Audio mode.Use the MENU,UP,DOWN and ENTER buttons to select the desired mode

Stand-alone master slave

Connecting several units together without a DMX controller

Setting the master unit

- ◆ Press the menu button to select the desired mode,auto,sound,manual RGB
- ◆ Press enter to confirm

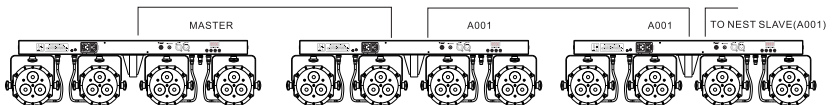
Setting the slave units

- ◆ Press the menu button until A***is displayed
- ◆ Use the up/down buttons to select A001
- ◆ Press the enter button to confirm
- ◆ All slave units must be set to A001

Please note only one unit must be set as a master

The slave units will follow the controls from the master unit

The foot pedal can be connected to the master unit to control all attached units



Working mode Options

Working mode Options

Using a DMX controller

Each unit uses 15 DMX channels

To control all units the same the DMX value must be set the same on all units (e.g A001)

To control units individually each unit must have its own DMX start address and each address must be at least 15 channels apart NO DMX address values must cross

Example unit 1 set to A001 unit 2 set to A016 etc each 15 channels apart

Using ob-3 mode

To select ob-3 mode

- ◆ Press the menu button until ob-3 is displayed
- ◆ Press enter to confirm

This is designed to use a basic 3 channel DMX controller and will only give control of the RGB of all par cans Individual control of each can is not available nor are any of the built in programs.

Trouble Shooting

Problems	Check list	Trouble Shooting
No Output.The Product does not work	<ul style="list-style-type: none"> ◆ Check if the power cord is connected in the input mains socket of the party Bar. ◆ Check if the ambient temperature is in a safe range 	<ul style="list-style-type: none"> ◆ Make sure there is mains present to the cable,check the fuse or replace cable ◆ After the temperature is suitable, the protect function will cancel automatically
LED dimmed	<ul style="list-style-type: none"> ◆ Check if the power cord is connected in the input mains socket of the party Bar 	<ul style="list-style-type: none"> ◆ Make sure the mains input voltage is the correct voltage
No DMX input	<ul style="list-style-type: none"> ◆ Checkif the cable is damg ed orwhether the polarity of the pin connections is correct ◆ Check If the unit is in DMX mode ◆ Check if there are 2PCS master in the whole circuit 	<ul style="list-style-type: none"> ◆ Correct the DMX polarity or change the cable. ◆ Set up the function mode as DMX ◆ Set 1pcs in slave mode

Specifications

- ◆ Power Consumption: 55W
- ◆ LED: 12*Tri-9W
- ◆ LED: red620nm/100lm, green520nm/160lm and blue462nm/50lm
- ◆ Beam angle: 15°
- ◆ Power Linking:20pcs@240V, 10pcs@110V
- ◆ DMX Channels: 3, 15CH
- ◆ Spares: T-Bar, stand, carrying bag, footswitch, holder
- ◆ AC power: auto switching 100V-240V 50/60Hz (for all international markets)
- ◆ PCS/CTN: 1set /ctn
- ◆ G.W:10kg
- ◆ Fuse: 1.6A
- ◆ Dimension: 910mm x 242mm x 48mm
- ◆ Outer container: L1200xW350xH125mm

Distributed by:

TechBrands by Electus Distribution Pty.Ltd.

NSW 2116 Australia

Ph: 1300 738 555

Int'l: +61 2 8832 3200

Fax: 1300 738 500

www.techbrands.com

Made in China