

SOLAR LED LIGHT WITH PIR

Introduction

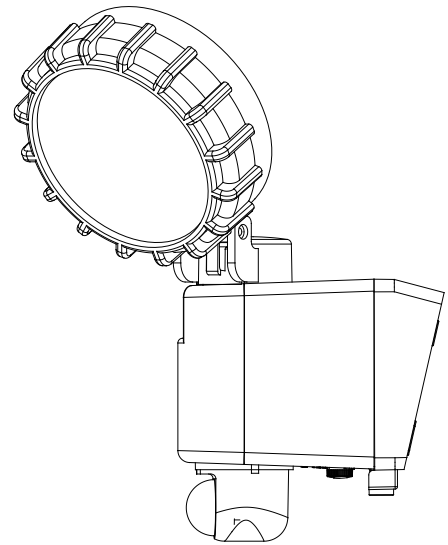
The LED light is powered by rechargeable battery. A waterproof solar panel can keep the rechargeable batteries topped up. Each unit has a built-PIR motion detector, which automatically turns the light on 5 seconds, 20 seconds or flashing 20 seconds. This fully sustained lighting unit is perfect for application where mains power is unavailable. It is very simple and easy to install.

Please read this manual carefully before commencing installation.

Contents

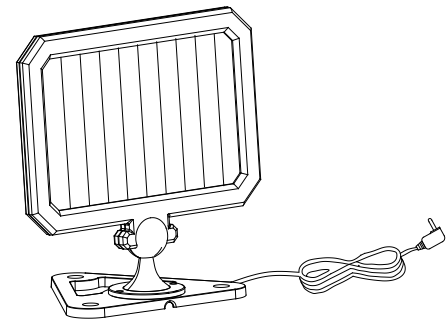
Solar LED LIGHT WITH PIR x 1

When someone and objects enter the detection area of the PIR sensor, the light will go off.



Solar panel x 1

It is used to charge the rechargeable batteries for the Solar LED LIGHT WITH PIR. When the Solar LED LIGHT WITH PIR is connected to the Solar Panel, its battery will last longer



Tools Required

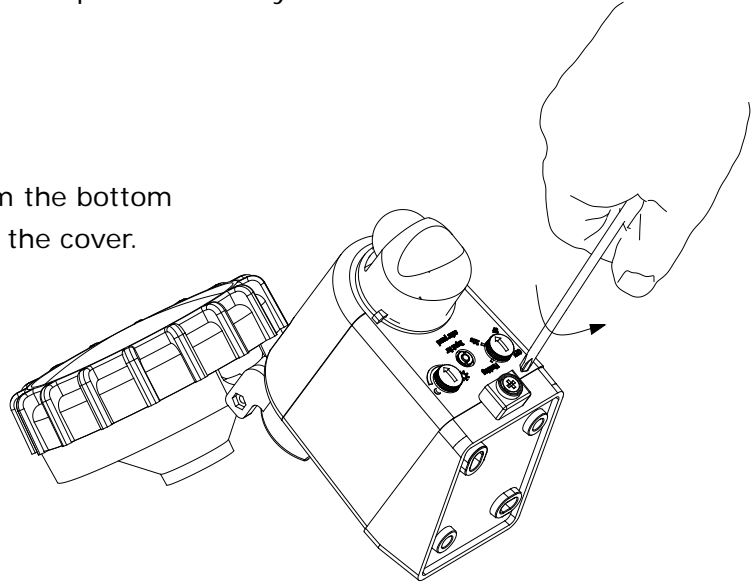
- Large and small flat bladed screwdrivers
- Large and small cross-point screwdrivers
- Hammer

Please Note: Tools are not included, consult a professional if you need assistance

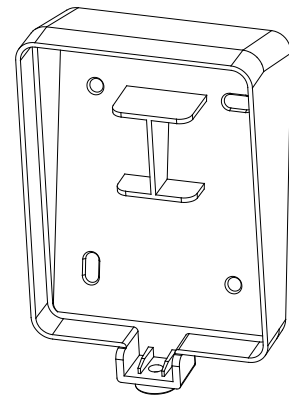
Installation

Solar LED LIGHT WITH PIR

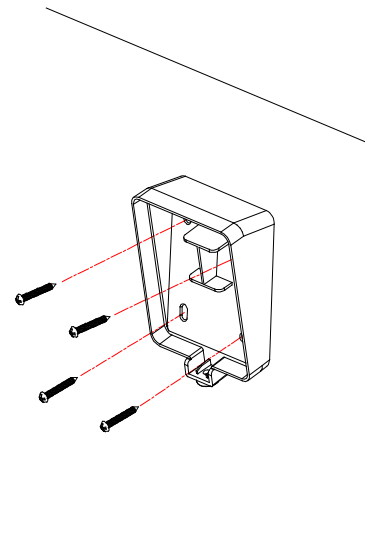
Step 1: Remove and retain the screw from the bottom of the solar LED light with PIR and lift off the cover.



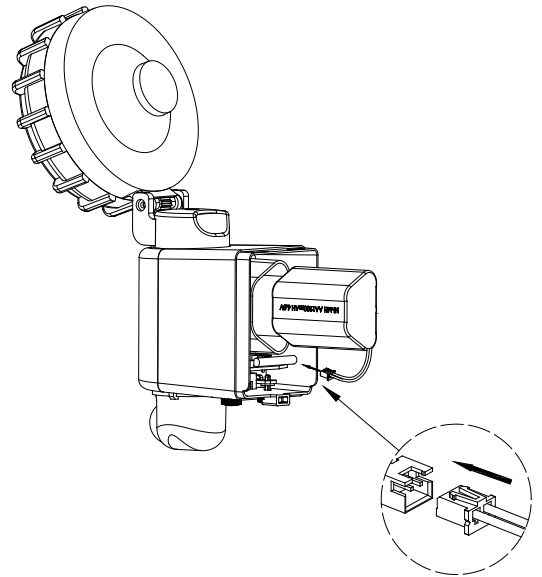
Step 2: Use a small drill to create four fixing holes at the mounting points.



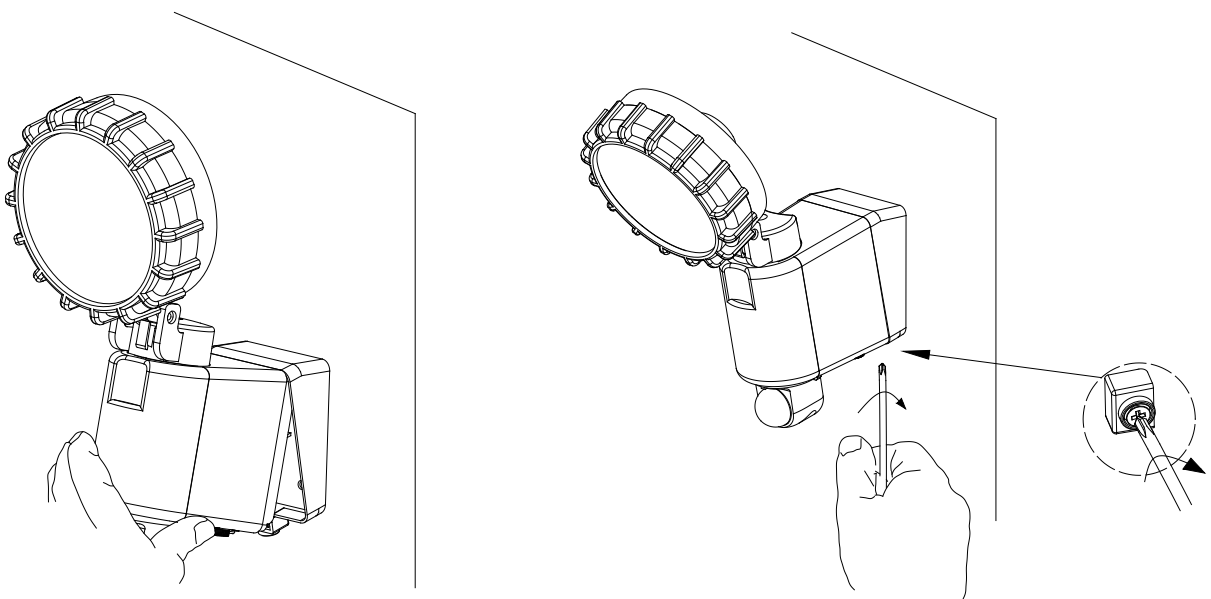
Step 3: Hold the base of the solar LED light with PIR in the chosen position, ensuring that the front of PIR will face towards the centre of the protected area, and mark and drill four 5mm fixing holes in the wall. DO NOT drill holes with the PIR in position – the resulting dust may damage the unit. Secure the PIR to the wall using two screws (25mm countersink) and the wall plugs.



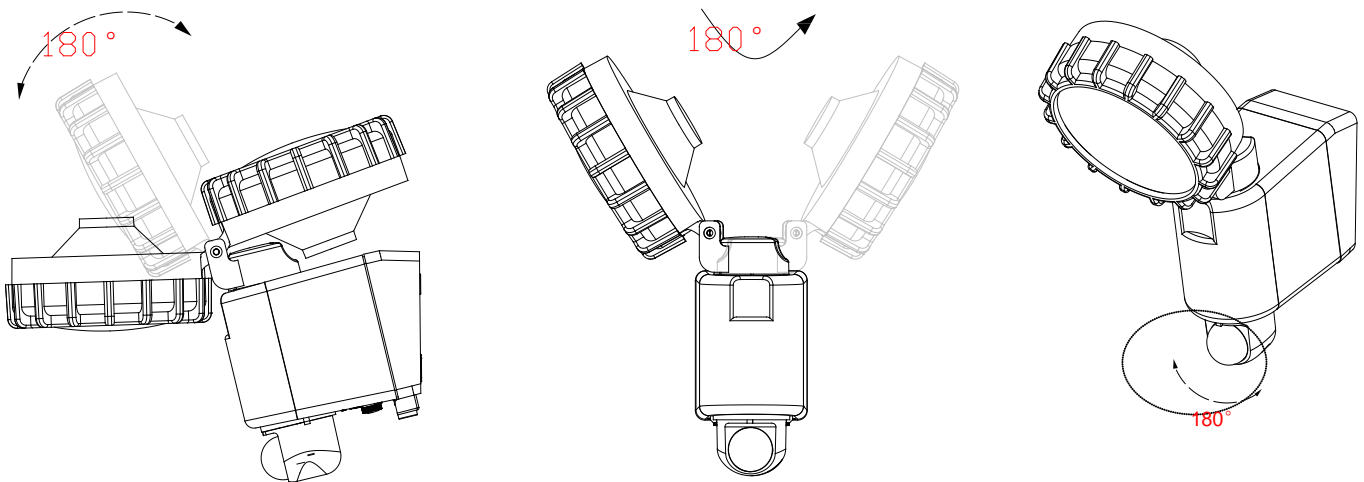
Step 4: Place 6V (5 x 1.2V) rechargeable battery pack inside the battery compartment with the correct polarity.



Step 5: Close the base cover and screw it up



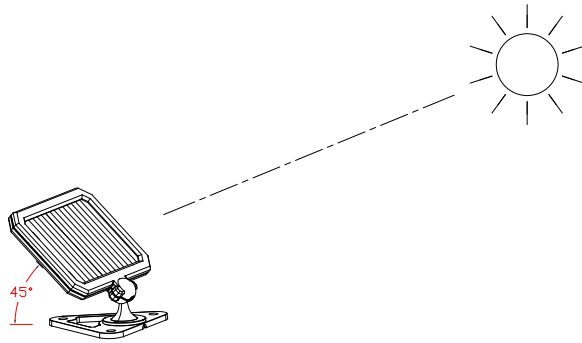
Step 6: circumgyrate function(have 3 parts can circumgyrate)



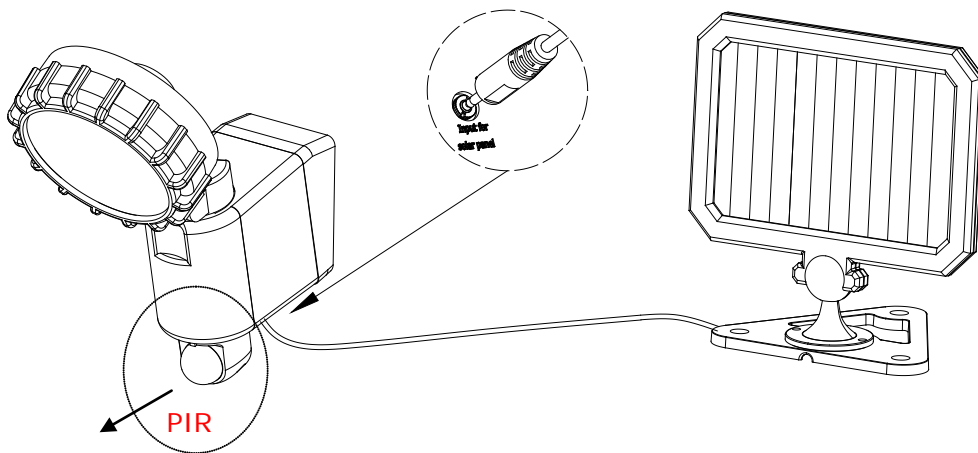
Step 7: Plug-in the Solar Panel into t solar LED light with PIR for charging the batteries.

Note :

- ◆ the Solar Panel's the best degree 45°C , to get direct sunlight



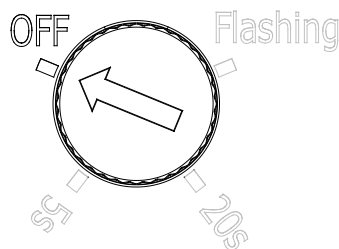
- ◆ PIR detects change of luminance and temperature in the environment, it is best to avoid looking directly at sources of heat such as fires and boilers, and always try to keep away from a window.



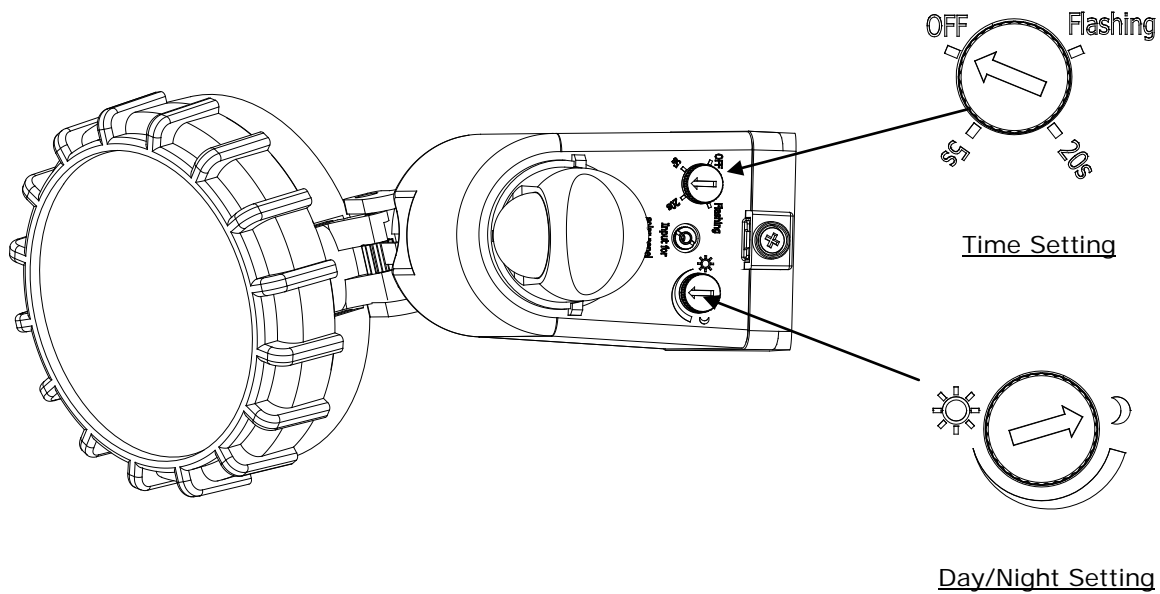
Operation

Powering up the Solar LED light with PIR,LED light on 30 seconds, then LED is off; after 2 minutes (during this 2 minutes, PIR do not detect and LED off), it goes into working mode.

Note: When time setting set "OFF" place, it is "OFF" mode , nothing work (LED off, PIR sensor do not work.)



The Solar LED light with PIR use two trim ports setting; 1: time setting ,2: Day/night setting



Two main function operation

The Solar LED light with PIR has two main function:

- 1.setting knobs(time setting and Day/night setting),
- 2.PIR sensor detects ,

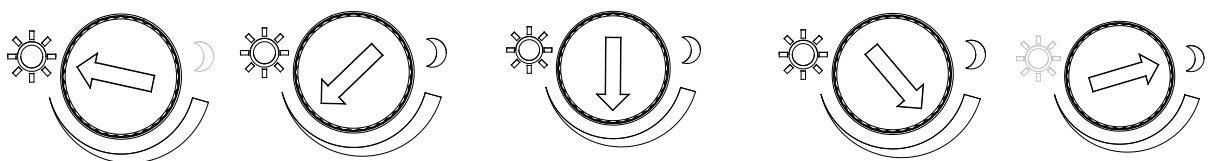
Setting knobs operation

setting knobs(time setting and Day/night setting)

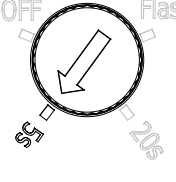
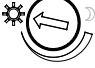




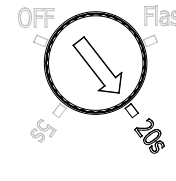





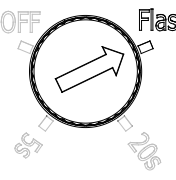





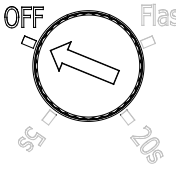
- Day/night setting : start from ☀ to ☾

	<ul style="list-style-type: none"> • Daytime and night time – The light will switch on • Unrelated to the brightness during day and night, the light will always light up if anything enters the detection range
	<ul style="list-style-type: none"> • Daytime – The light will switch off • Night time – the light will switch on if a person or object enters the detection range. • If some other light source brightens the surrounding during the night the sensor will detect this as daytime. In this case the sensor will not detect anything. Please set the Lighting control to ☀

According to environment light-intensity, the position of day/night setting knob may be set as below :



- Time setting has 4 parts: 5S; 20S; Flashing(5S/20S); OFF

time setting	Day/ night setting	Environment Light-Intensity				
		the Strongest light-intensity	the stronger light-intensity	the strong light-intensity	the low light-intensity	the lowest light-intensity
1: 5S 		LED light 5S	LED light 5S	LED light 5S	LED light 5S	LED light 5S
		off	LED light 5S	LED light 5S	LED light 5S	LED light 5S
		off	off	LED light 5S	LED light 5S	LED light 5S
		off	off	off	LED light 5S	LED light 5S
		off	off	off	off	LED light 5S
2: 20S 		LED light 20S	LED light 20S	LED light 20S	LED light 20S	LED light 20S
		off	LED light 20S	LED light 20S	LED light 20S	LED light 20S
		off	off	LED light 20S	LED light 20S	LED light 20S
		off	off	off	LED light 20S	LED light 20S
		off	off	off	off	LED light 20S
3: Flashing 		LED flash 20s	LED flash 20s	LED flash 20s	LED flash 20s	LED flash 20s
		off	LED flash 20s	LED flash 20s	LED flash 20s	LED flash 20s
		off	off	LED flash 20s	LED flash 20s	LED flash 20s
		off	off	off	LED flash 20s	LED flash 20s
		off	off	off	off	LED flash 20s
4: OFF 	All do not work, LED is off					

Note: If had setting knobs, after 3 seconds then PIR sensor can work; but having PIR trigger, also setting knobs



Maintenance

- 1). Test all detectors once every 3 months
- 2). The rechargeable battery pack needs to be charged at least 30 minutes for further operation if the stored power is used up.
- 3). Do not use cleaners that contain petroleum products, acetone, or thinners etc. Also do not use abrasives or chemically treated cleaning cloths, all these can cause damage.
- 4). Check the main body, fixing screws at least twice a year to make sure the device has not come loose.

Specification

Solar LED LIGHT WITH PIR

Type	LED LIGHT WITH PIR
Housing	ABS
LED	On/off indicator
Detection Range	~6-7m
Power Supply	6v (5 X1.2 AAA) rechargeable battery pack – included.

Solar panel

Type	Solar battery
Housing	ABS
Power output wire	PJ2.5 ϕ 3.0 x 2.5m white