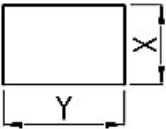
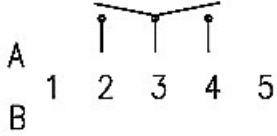


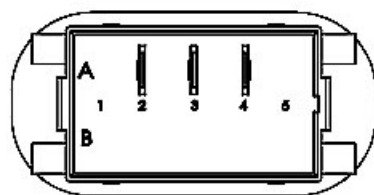
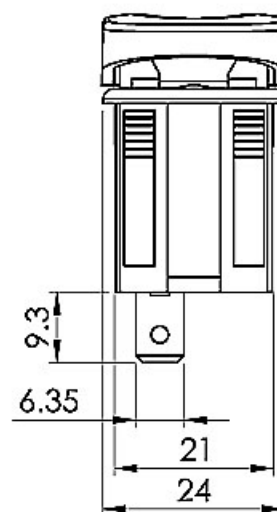
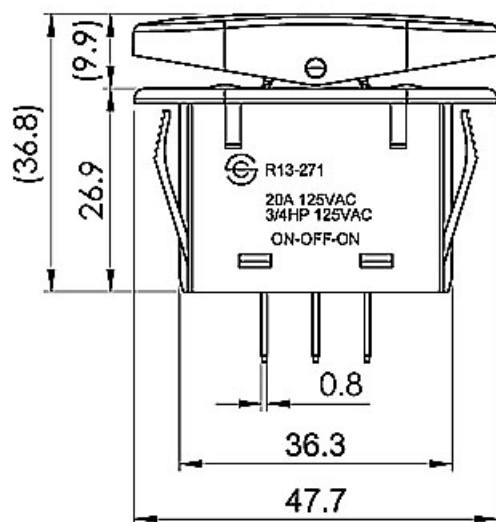
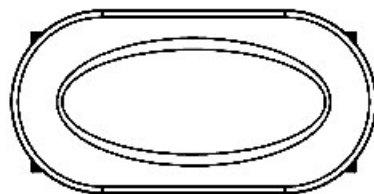
Rating	20A 125VAC 3/4HP 125VAC	Mounting Hole	Circuit Diagram	
Contact Resistance	50m ohm Max.			
Insulation Resistance	DC 500V 100M ohm Min.			
Dielectric Strength	AC 1500V 1 minute	Thickness	X	Y
Operation Temperature	-20°C~85°C	0.75~1.25	21.2+0.1	36.6+0.1
Switch Function	3P SPDT ON-OFF-ON	1.25~2	21.2+0.1	36.8+0.1
		2~3	21.2+0.1	37.0+0.1

WATERPROOF RATING : IP56

Material:

Frame: Black, Nylon#66

Actuator: Black, Nylon#66+30%GF



TOLERANCE: $\pm 0.3\text{mm}(\pm 0.0012\text{inch})$ UNLESS OTHERWISE SPECIFIED.

PART NAME	ROCKER SWITCH
PART NO.	R13-271