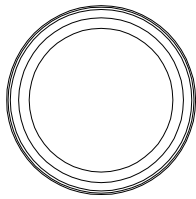
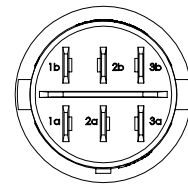
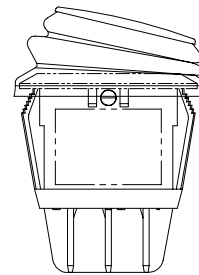
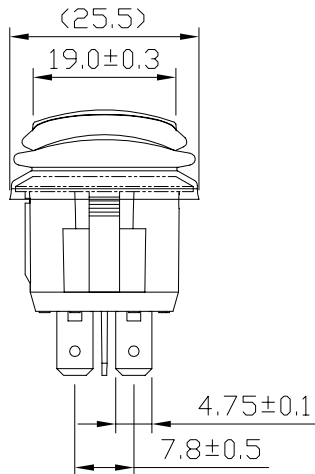
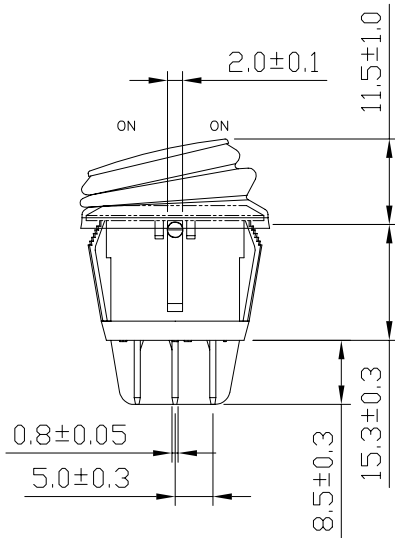
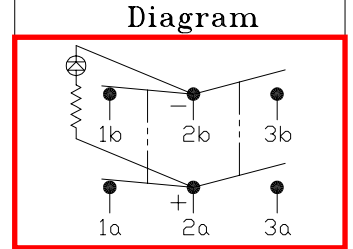


Rating	20A 14VDC 16A 125VDC 10A 250VDC	<p style="text-align: center;">Mounting Hole</p>
Contact Resistance	50m ohm Max.	
Insulation Resistance	DC 500V 100M ohm Min.	
Dielectric Strength	AC 1500V 1 minute	
Operation Temperature	-25°C~85°C	
Circuit	6P DPDT ON-ON (LED)	



Frame: Black, Nylon 66 (94-V2)
 Actuator: Red clear, PC (94-V2)
 Waterproof rubber: Black, Silicone
 Terminals: Silver plated, Copper alloy
 Waterproof: IP65



PART NAME : ROCKER SWITCH

PART NO. : SK0967