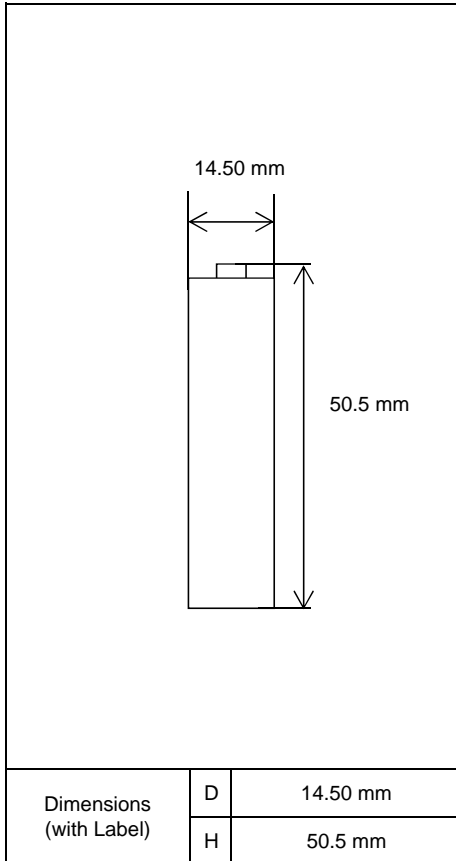


## Cell Type BK-3HCC

### Specifications



Type : Nickel-Metal Hydride Battery		Size : AA Consumer Type
Country of origin		Japan
Capacity <sup>1)</sup>	Minimum	2450mAh
Nominal Voltage		1.2V
Charging Current x Time	Fast Charge <sup>2)</sup>	Max.2450mA
Ambient Temp.	Charge Condition	Fast Charge <sup>2)</sup>
	Discharge Condition	
	Storage Condition	Less than 90days
		Less than 1year
Internal Impedance <sup>3)</sup> (after discharge to E.V.=1.0V)		Approx. 25m Ω (at 1KHz)
Weight <sup>4)</sup>		Approx. 30 g
Size <sup>4)</sup> : (Diameter) x (Height)		φ :14.5mm X H:50.4mm

- 1)Single cell capacity under the following condition.  
 Charge : 245mA x 16h, Discharge : 490mA(E.V.=1.0V) at 25deg.C  
 2)Use recommended charging system.  
 3)After a few charge and discharge cycles under the above 1) condition.  
 4)With Label.