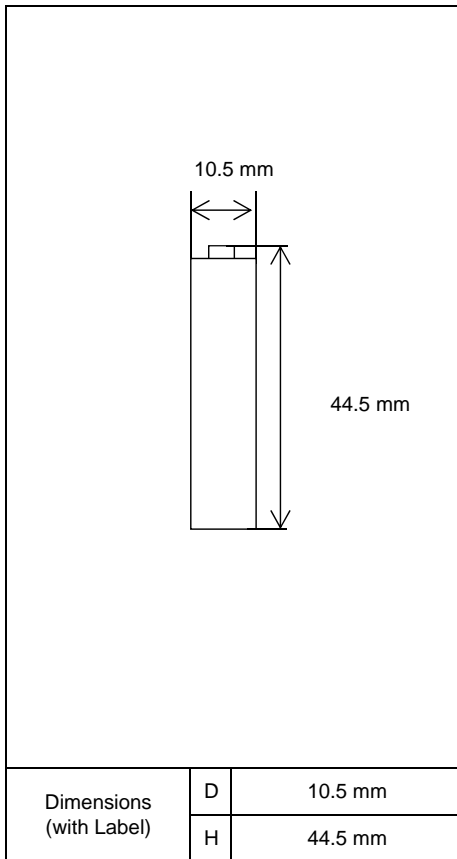


Cell Type BK-4MCC

Specifications



Type : Nickel-Metal Hydride Battery		Size : AAA Consumer Type	
Country of origin		China	
Capacity ¹⁾	Minimum	750mAh	
Nominal Voltage		1.2V	
Charging Current x Time	Fast Charge ²⁾	Max.750mA	
Ambient Temp.	Charge Condition	Fast Charge ²⁾	0°C - 40°C
	Discharge Condition		-5°C - 50°C
	Storage Condition	Less than 90days	-20°C - 40°C
Less than 1year		-20°C - 35°C	
Internal Impedance ³⁾ (after discharge to E.V.=1.0V)		Approx. 40mΩ (at 1000Hz)	
Weight ⁴⁾		Approx. 13 g	
Size ⁴⁾ : (Diameter) x (Height)		10.5(D) x 44.5(H) mm	

1)Single cell capacity under the following condition.

Charge : 75mA×16h, Discharge : 150mA(E.V.=1.0V) at 20°C

2)Use recommended charging system.

3)After a few charge and discharge cycles under the above 1) condition.

4)With Label.