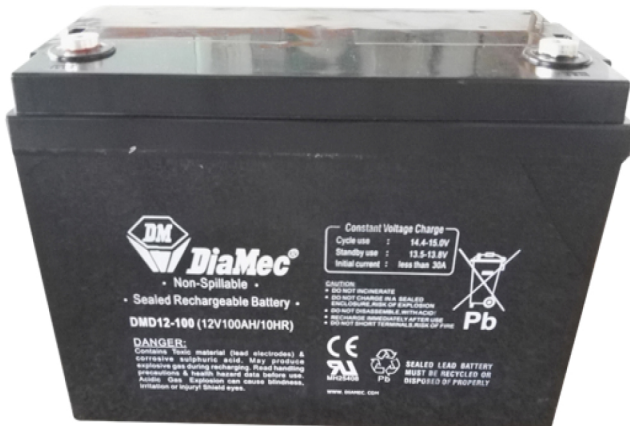


# Maintenance-Free Rechargeable Sealed Lead-Acid Battery

SB1682

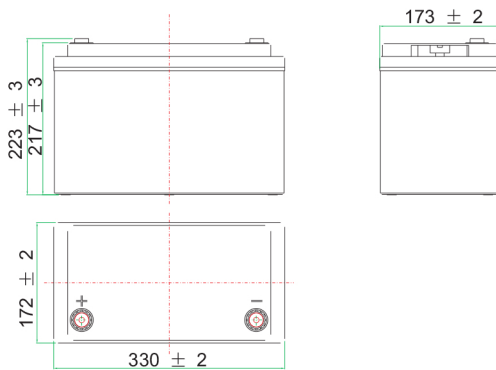
(12V100AH)

Specification



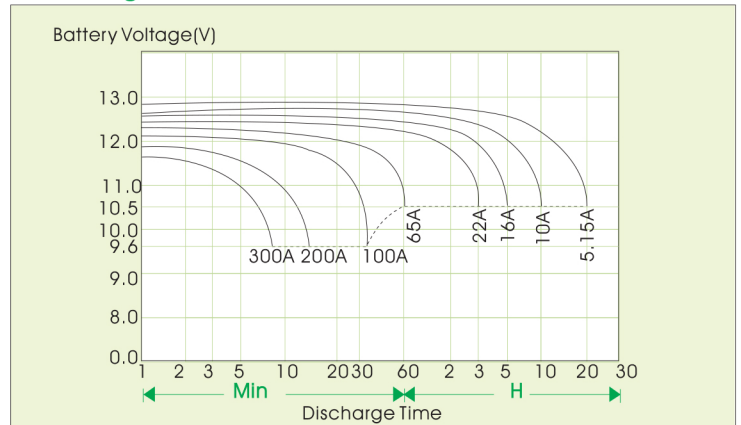
Capacity 25°C (77°F)	20hourrate (5.15A)	103AH
	10hourrate (10A)	100AH
	5hourrate (16A)	80AH
	1hourrate (63A)	63AH
Capacity affected by temperature	40°C (104°F)	103%
	25°C (77°F)	100%
	0°C (32°F)	86%
	-15°C (5°F)	65%
Self-discharge at 25°C (77°F) (Before recharge)	Capacity after 3 month	91%
	Capacity after 6month	82%
	Capacity after 12month	64%
Constant voltage charge	Cycle	Initial Charging Current ≤ 30A 14.4V~15V at 25°C (77°F)
	Standby	13.5V~13.8V at 25°C (77°F)
Max discharge current for 5 seconds		1500A

## Dimensions(mm)



Nominal voltage		12V
Rated Capacity (10 HR)		100AH
Approx Weight		28.4kg
Terminal	Standard	I3-M8
	Optional	
Operation Temperature		
Charge	0°C(32°F)~40°C(104°F)	
Discharge	-20°C(-4°F)~50°C(122°F)	
Storage	-20°C(-4°F)~40°C(104°F)	

## Discharge characteristic



Note: Discharge shall be cut-off at 10.5V if discharge at  $< 1C_A$  and at 9.6V if at  $\geq 1C_A$ . It is recommended to recharge battery by constant-voltage charge immediately after use.

## Constant current (Amp) and Constant Power (Watt) Discharge Table at 25°C (77°F)

Final voltage	Time (min)										
		5	10	15	20	30	60	120	180	300	600
1.80VPC	A	364.38	245.71	197.19	132.38	109.14	62.35	39.33	21.45	15.57	9.86
	W	3826.00	2580.00	1791.00	1390.00	1146.00	722.00	413.00	293.00	203.00	114.00
1.75VPC	A	364.86	246.95	197.84	132.76	109.43	65.00	39.52	22.00	16.00	10.00
	W	3831.00	2584.00	1794.00	1394.00	1149.00	724.00	415.00	295.00	205.00	116.00
1.70VPC	A	365.33	246.47	198.24	133.05	109.71	69.24	39.81	22.85	16.26	10.24
	W	3836.00	2588.00	1797.00	1397.00	1152.00	727.00	418.00	298.00	208.00	118.00
1.65VPC	A	365.52	246.76	199.85	133.24	109.90	69.43	39.90	23.62	16.42	10.33
	W	3838.00	2591.00	1799.00	1399.00	1154.00	729.00	419.00	299.00	209.00	119.00
1.60VPC	A	365.71	246.86	200.00	133.33	110.00	69.50	40.00	24.05	16.63	10.45
	W	3840.00	2592.00	1800.00	1400.00	1155.00	730.00	420.00	300.00	210.00	120.00