

Maintenance-Free Rechargeable Sealed Lead-Acid Battery

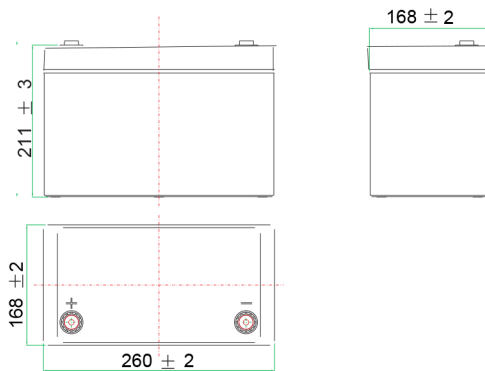
SB1680

(12V75AH)

Specification



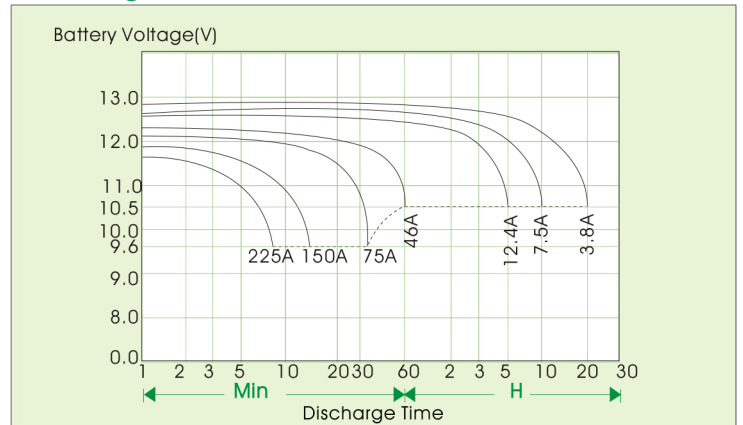
Dimensions(mm)



Nominal voltage		12V
Rated Capacity(10 HR)		75AH
Approx Weight		20.5kg
Terminal	Standard	11-M6
	Optional	
Operation Temperature		
Charge	0°C(32°F)~40°C(104°F)	
Discharge	-20°C(-4°F)~50°C(122°F)	
Storage	-20°C(-4°F)~40°C(104°F)	

Capacity 25°C (77°F)	20 hour rate (3.8A)	77AH
	10 hour rate (7.5A)	75AH
	5 hour rate (12.4A)	62AH
	1 hour rate (46A)	46AH
Capacity affected by temperature	40°C (104°F)	103%
	25°C (77°F)	100%
	0°C (32°F)	86%
	-15°C (5°F)	65%
Self-discharge at 25°C (77°F) (Before recharge)	Capacity after 3 month	91%
	Capacity after 6 month	82%
	Capacity after 12 month	64%
Constant voltage charge	Cycle	Initial Charging Current ≤ 22.5A 14.4V~15V at 25°C (77°F)
	Standby	13.5V~13.8V at 25°C (77°F)
Max discharge current for 5 seconds		1125A

Discharge characteristic



Note: Discharge shall be cut-off at 10.5V if discharge at $< 1C_A$ and at 9.6V if at $\geq 1C_A$

It is recommended to recharge battery by constant-voltage charge immediately after use

Constant current (Amp) and Constant Power (Watt) Discharge Table at 25°C (77°F)

Final voltage	Time (min)	Discharge Rate									
		5	10	15	20	30	60	120	180	300	600
1.80VPC	A	272.50	184.20	147.60	99.00	81.60	45.70	30.00	16.30	12.10	7.30
	W	2862.50	1934.00	1335.20	1040.00	857.40	542.50	315.70	216.40	145.20	76.80
1.75VPC	A	273.00	184.50	148.00	99.40	81.90	46.00	30.30	16.50	12.40	7.50
	W	2867.00	1937.70	1340.00	1043.80	860.20	535.40	318.60	218.30	151.00	80.60
1.70VPC	A	273.40	184.70	148.70	99.70	82.20	46.20	30.60	16.60	12.50	7.60
	W	2871.00	1940.50	1342.70	1046.60	863.00	538.20	321.40	221.10	153.00	82.50
1.65VPC	A	273.80	185.00	149.20	99.80	82.30	46.30	30.70	16.80	12.70	7.70
	W	2874.70	1942.40	1346.50	1048.50	864.80	540.00	322.30	222.00	153.90	83.40
1.60VPC	A	274.00	185.10	149.90	100.00	82.50	46.40	30.70	17.00	12.90	7.80
	W	2878.50	1943.30	1349.30	1049.50	865.80	541.00	323.30	223.00	154.80	84.30