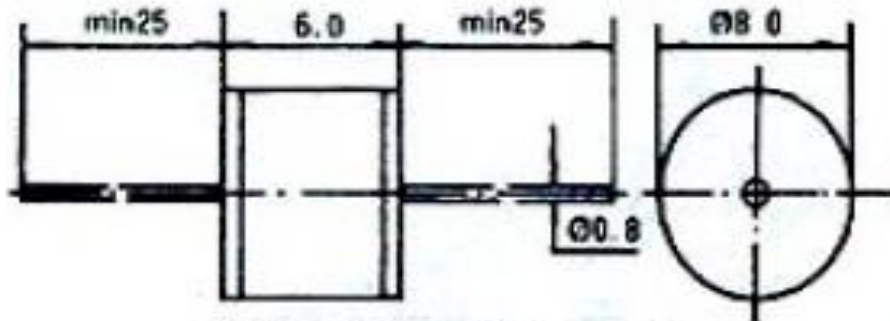


RS5422, RS5424, RS5426 DATASHEET

Parameter	Min	Typ	Max	Units
Insulation Resistance	10^9	-	-	Ω
Capacitance			5	PF
Operational Temperature	-40	-	85	$^{\circ}\text{C}$

Type	DC spark-over voltage(100V/s) V	Impulse spark-over voltage(1K V/us) V	Impulse discharge current (10/1000us 300 times) A	Impulse discharge current (8/20us 10 times) kA	AC discharge current (50Hz, 1s 5 times) A	Holdover voltage V	Insulation resistance Ω	Capacitance pF
RS5422	$230^{+30/-40}$	≤ 800	100	5	5	135	$\geq 10^9$	≤ 5
RS5424	$90 \pm 25\%$	≤ 700	50	5	5	80	$\geq 10^9$	≤ 5
RS5426	$230^{+30/-40}$	≤ 800	100	5	5	80	$\geq 10^9$	≤ 5

RS5422



RS5424, RS5426

