

Helpdesk/Technical Support

Technical Support E-mail: tech@swann.com

Telephone Helpdesk

USA 1-800-627-2799

USA Parts & Warranty 1-800-627-2799

(M-F, 9am-5pm US PT)

AUSTRALIA 1800 788 210

NEW ZEALAND 0800 479 266

UK 0808 168 9031



MH855CAM180416E | © Swann 2016

Limited Warranty - Terms & Conditions

Swann Communications warrants this product against defects in workmanship and material for a period of one (1) year from its original purchase date. You must present your receipt as proof of purchase for warranty validation. Any unit which proves defective during the stated period will be repaired without charge for parts or labour or replaced at the sole discretion of Swann. The end user is responsible for all freight charges incurred to send the product to Swann's repair centres. The end user is responsible for all shipping costs incurred when shipping from and to any country other than the country of origin. The warranty does not cover any incidental, accidental or consequential damages arising from the use of or the inability to use this product. Any costs associated with the fitting or removal of this product by a tradesman or other person or any other costs associated with its use are the responsibility of the end user. This warranty applies to the original purchaser of the product only and is not transferable to any third party. Unauthorized end user or third party modifications to any component will render all warranties void. By law some countries do not allow limitations on certain exclusions in this warranty. Where applicable by local laws, regulations and legal rights will take precedence.

For Australia: Our goods come with guarantees which cannot be excluded under Australian Consumer Law. You are entitled to a replacement or refund for a major failure and for compensation for any other reasonably foreseeable loss or damage. You are also entitled to have the goods repaired or replaced if the goods fail to be of acceptable quality.

Important Note: All jurisdictions have specific laws and regulations relating to the use of cameras. Before using any camera for any purpose, it is the buyer's responsibility to be aware of all applicable laws and regulations that prohibit or limit the use of cameras and to comply with the applicable laws and regulations.

WARNING: Modifications not approved by the party responsible for compliance could void user's authority to operate the equipment.

5

FCC Verification

This equipment has been tested and found to comply with the limits for Class B digital device, pursuant to part 15 of the FCC Rules. These limits are designed to provide reasonable protection against harmful interference in a residential installation. This equipment generates, uses and can radiate radio frequency energy and, if not installed and used in accordance with the instructions, may cause harmful interference to radio communications. However, there is no guarantee that interference will not occur in a particular installation. If this equipment does cause harmful interference to radio or television reception, which can be determined by turning the equipment off and on, the user is encouraged to try to correct the interference by one of the following measures:

- Reorient or relocate the receiving antenna
- Increase the separation between the equipment and the receiver
- Connect the equipment into an outlet on a circuit different from that to which the receiver is connected
- Consult the dealer or an experienced radio/TV technician for help

These devices comply with part 15 of the FCC Rules. Operation is subject to the following two conditions:

- These devices may not cause harmful interference, and
- These devices must accept any interference received, including interference that may cause undesired operation.



IMPORTANT SAFETY INSTRUCTIONS

- Make sure product is fixed correctly and stable if fastened in place.
- Do not operate if wires and terminals are exposed.

6



HD Bullet Security Camera

For use with Swann 1080p DVRs

EN

INSTRUCTION MANUAL

Before you begin

DVR Compatibility

This camera is compatible with the following Swann 1080p DVR models:

- Swann 4500, 4550, 4600, 4750, 5000 & 8075 Series DVRs

This is not an exhaustive list - since the time of publication we will have released newer DVRs with which this camera may be supported.

Note: The camera image will appear only in black and white on the screen in DVR models where the video output signal mode of the camera is not automatically detected. You can correct this by using the camera joystick to set the video output signal mode of the camera to correspond with the type of DVR you are operating. Simply push the joystick in the direction corresponding to the signal you want to select, as described below, and hold for approximately 2 seconds.

Left – AHD. This is the signal used with Swann recorders such as the 4600 Series DVR.

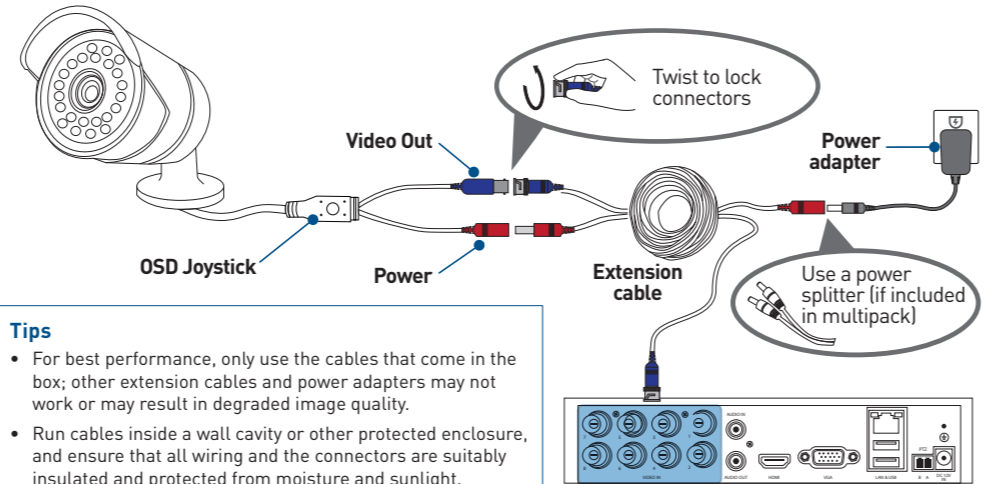
Right – TVI. This is the signal used with Swann recorders such as the 4500 and 8075 Series DVRs.

After the mode is changed, the camera turns off briefly then restarts in the new mode.

1

Connecting your camera

Follow the example diagram below to connect the camera to your DVR.



Tips

- For best performance, only use the cables that come in the box; other extension cables and power adapters may not work or may result in degraded image quality.
- Run cables inside a wall cavity or other protected enclosure, and ensure that all wiring and the connectors are suitably insulated and protected from moisture and sunlight.
- Avoid bending the cable at sharp angles. Too many bends (or even just one really sharp one) can disrupt the signal to the point of failure.

* Images contained in this diagram are for illustrative purposes only

2

Mounting your camera

The camera can be mounted onto a flat surface using screws. The surface must have sufficient strength to hold the camera.

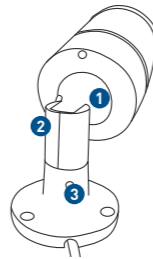
- Position the camera in the location you want to mount it, and mark the screw holes on the surface to position the screws or attach the supplied mounting template on the surface. Then, using appropriate screws for the surface you're fixing the camera to, secure the camera into place.
- If you're mounting to a wooden surface, then screw the camera directly to the surface.
- If you're mounting to a masonry surface (bricks, concrete or similar) then you'll need to use the included wall plugs.

Aiming the camera

You can use the included allen key to adjust the camera angle.

- To adjust the orientation, loosen the screw indicated by 1. This enables you to rotate the camera so no matter what direction it is facing, your images will be the right way up.
- To tilt up and down, loosen the indicated by 2.
- To pan left and right, loosen the screw indicated by 3.

Be sure to tighten the screws back securely to lock the camera's position in place after you finish adjusting the camera angle.



3

On-Screen Display (OSD)

The camera has an OSD (on-screen display) that is accessible using the camera joystick. The OSD allows you to adjust the appearance and characteristics of the image shown on the camera. It is an optional, advanced feature and recommended only for experienced users. There's no requirement to use the OSD - in the majority of situations, the automatic settings work quite well.

Using the camera joystick

- The joystick has a middle button that you press to open the OSD menu. This button is also used to select an option.
- Push the joystick up or down to choose a selection in the menu. Push left or right to toggle between options for a particular setting.
- The ← symbol indicates that there is a submenu for the option. Select the option then press the middle button to enter the submenu.

OSD Menu Options

The following is an overview of the options available on the camera's OSD menu. For a more detailed guide to the OSD functionality, download the OSD manual for the camera from support.swann.com.

AE (Automatic Exposure): Adjust exposure settings according to the existing light conditions.

WB (White Balance): Choose from a selection of white balance options to adjust screen color and obtain the most accurate reproduction of color tone in the scene.

Day-Night: Choose how the camera handles colour and the transition from daytime to nighttime.

Video Setting: General image settings common to most cameras.

Language: Change the OSD menu language.

4