

A. Features

1. Electrical parameter measurement (voltage, current, active power, consumed energy)
2. Settable overload alarm (backlight and "Power" reading flashes).
3. Retains data when power off.
4. Large-screen LCD (displays voltage, current, active power, consumed energy simultaneously).
5. Switchable Backlight.
6. Auto-ranging Power and Energy Readings

B. Display and Key Functions

I. Display format

1. Power: test range: 0~4.5kW: Less than 1KW, display format is 0.0~999.9W; 1KW and above, display format is 1000~4500W.
2. Energy: test range: 0~9999kWh: Less than 10KWh, display format is 0~9999Wh; 10kWh and above, display format is 10~9999kWh.
3. Voltage: test range: 80~260V: Display format: 80~260V
4. Current: test range: 0~20A: Display format: 0.00~20.00

II. Key Functions (Pen or similar pointed device required)

Note: "Long Press" means press and hold the key. "Short Press" means just "jab" the key.

1. Backlight Control

Short press the key to turn the backlight on or off. (The backlight remembers the setting when power is disconnected).

2. Reset Accumulated Energy Reading

Step1: Long press the key for 5 seconds until the number in energy display window starts to flash, then release the key.

Step2: Short press the same key, the energy value will be cleared to zero. If you don't want to clear it, long press the key for another 5 seconds until the number stops flashing.

3. Set Power Alarm Threshold (The range of active power threshold is 0.0~4.5kW)

Step1: Long press the key until the LCD screen displays "SET CLr", (about 7 seconds) then release the key.

Step 2: The "Power" digits now display the current power alarm value with the last digit flashing. Short presses then cycle that through the digits 0-9. After 3 seconds with no further presses, it will switch to the next digit position; repeat the process for all digits

Step3: When you've finished setting, long press the key for 5 seconds to store and exit.

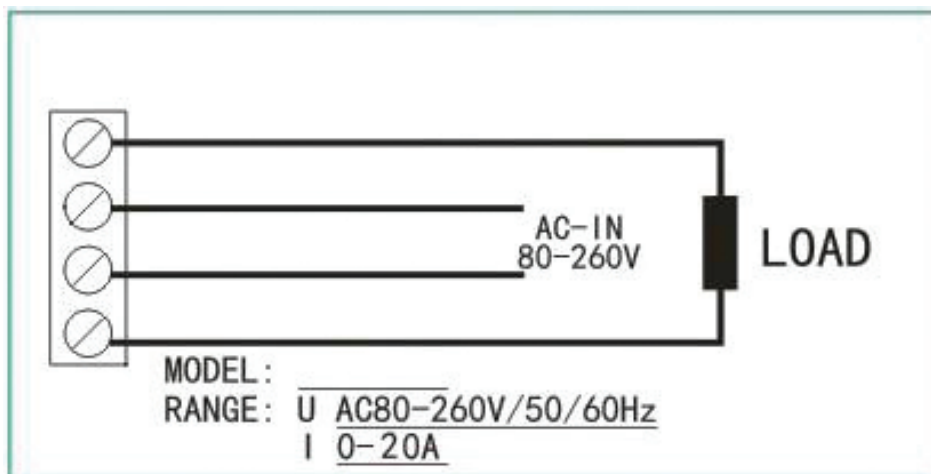
C. Caution

1. This module is only intended indoor use, please do not use outdoors except in a suitable waterproof housing.
2. Applied load must not exceed the rated power.
3. Ensure all wiring is correct.
4. For very heavy loads (>2 kW) solid conductor wire is recommended for the power connections.

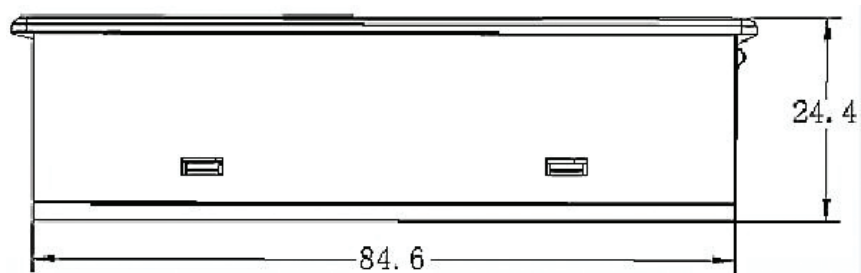
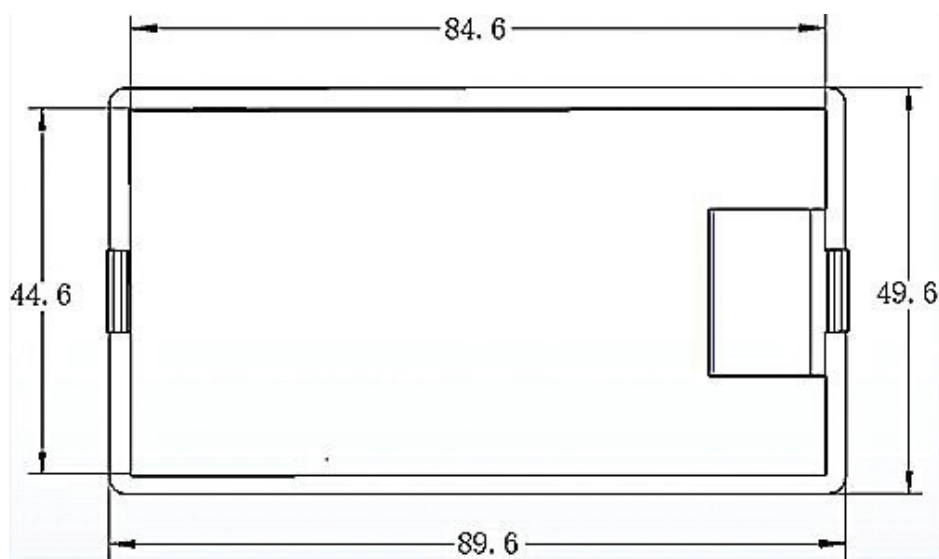
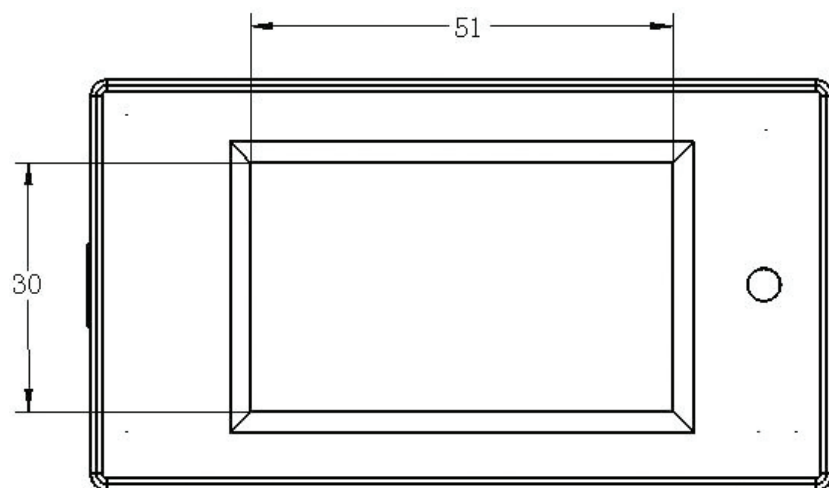
D. Specifications

Power Measurement Range:	0-4.5kW
Energy Measurement Range:	0-9999kWh
Voltage Measurement Range:	80-260V
Current Measurement Range:	0-20A
Operating Frequency:	45-65Hz
Weight:	60g
Display Dimensions:	51(W) x 30(H)mm
Cutout Dimensions:	84.6(W) x 44.6(H)mm
Overall Dimensions:	90(W) x 50(H) x 24(D)mm

E. Wiring diagram



F. Dimension Diagram (mm)



Distributed by:
TechBrands by Electus Distribution Pty. Ltd.
320 Victoria Rd, Rydalmere
NSW 2116 Australia

Ph: 1300 738 555
Int'l: +61 2 8832 3200
Fax: 1300 738 500

www.techbrands.com

Made in China