

1. Description

Thank you for purchasing the QM7410. This product is capable of non-contact (infrared) temperature measurements at the touch of a button. The built-in laser pointer increases target accuracy while handy push-buttons combine for convenient, ergonomic operation. The QM7410 can be used to measure the temperature of objects with a surface that cannot be measured by traditional contact thermometers. Proper use and care of this meter will provide years of usage.

2. Features

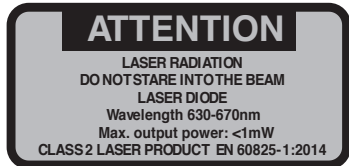
- Rapid Detection Function
- Precise Non-Contact Measurements
- Single Laser Sighting
- Unique Flat Surface, Modern Housing Design
- Automatic Data Hold
- "MAX/MIN" Function

3. Wide Range Application

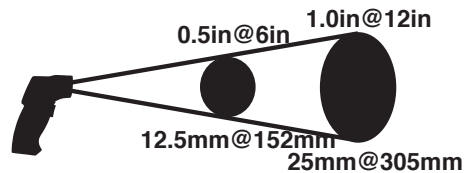
Food preparation, safety and fire inspectors, plastic molding, asphalt, marine, screen printing, measure ink and dryer temperature, HVAC/R, diesel and fleet maintenance, etc.

4. Safety

- Use extreme caution when the laser beam is turned on.
- Do not let the beam shine onto your or others eyes.
- Be careful not to let the beam reflect off of a surface and into your eyes.
- Do not allow the laser light beam impinge on any gas which can explode.



5. Distance & Spot Size



Distance : Spot = 12:1

6. Specifications

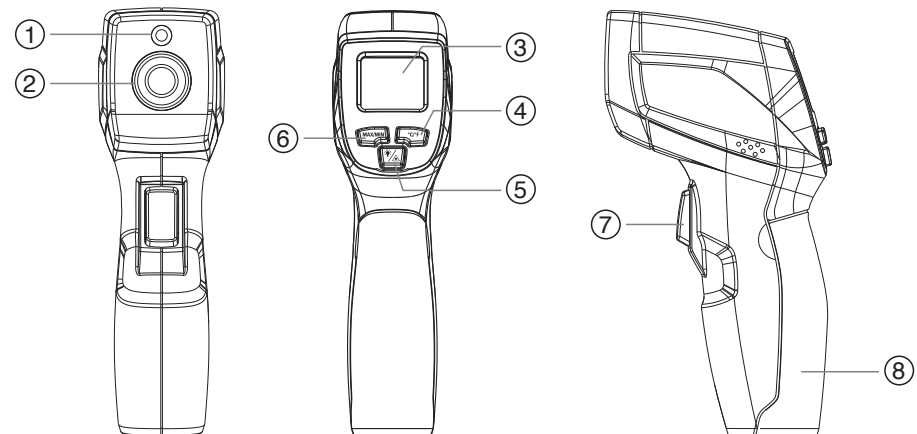
Temperature Range:	-50 to 500°C (-58 to 932°F)
D:S:	12:1
Display Resolution:	0.1°C (0.1°F)
Emissivity:	Fixed at 0.95
Accuracy:	±3°C (5.4°F) at -50 to 20°C (-58 to 68°F), ±2.0% ±2°C (3.6°F) at 20 to 500°C (68 to 932°F)
Repeatability:	±1°C (1.8°F)
Response Time:	500ms
Spectral Response:	8~14um
Over Range Indication:	LCD will show "----"
Diode Laser:	Output <1mW; Wavelength 630~670nm; Class 2 laser product
Operating Temperature:	0 to 50°C (32 to 122°F)
Storage Temperature:	-10 to 60°C (14 to 140°F)
Relative Humidity:	10% to 90%RH operating; <80%RH storage
Power:	9V Battery (Included)

Note:

Field of View: Make sure that the target is larger than the units spot size. The smaller the target, the closer you should be to it. When accuracy is critical, make sure the target is at least twice as large as the spot size.

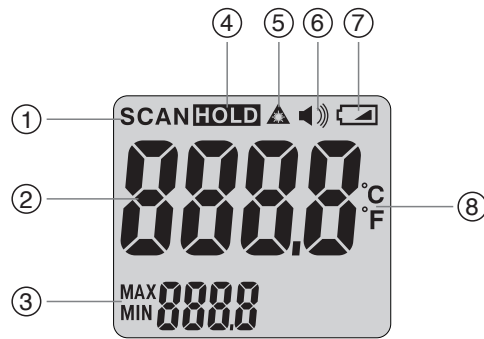
7. Panel Description

- 1-Laser
- 2-Infrared Sensor
- 3-Display Screen
- 4-°C/°F Button
- 5-Laser/Backlight Button
- 6-Max/Min Button
- 7-Power On/Measure Button (Automatic switch off after 10 seconds)
- 8-Battery Cover



8.LCD Interface Instruction

- 1-Scan Symbol
- 2-Measure Data
- 3-Temperature Value for Max/Min
- 4-Data Hold Symbol
- 5-Laser on Symbol
- 6-Buzzer Symbol
- 7-Lower Power Symbol
- 8-°C/°F Symbol



9.Measurement Operation

1. Hold the meter by its Handle Grip and point it toward the surface to be measured.
2. Pull and hold the Trigger to turn the meter on and begin testing. The display will light if the battery is good.
Replace the battery if the display does not light.
3. Release the Trigger and the HOLD display icon will appear on the LCD indicating that the reading is being held.
In HOLD status, press the laser button to turn on or off the laser. And press the buzzer button to turn on or off the backlight.
4. The meter will automatically power down after approximately 10 seconds after the trigger is released.

Switching °C/°F

Short press the °C/°F button

Switching Max/Min

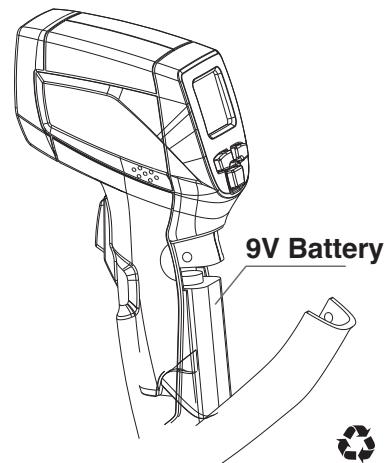
Press the Max/Min button.

Switch ON/OFF Laser

- Push the Laser/ Backlight button once to turn on the laser pointer. When the laser is on the laser icon will appear on the LCD over the temperature.
- Long press the Laser/ Backlight button to turn on/ turn off the laser

10.Battery Replacement

- As battery power is not sufficient, LCD will display the lower power symbol, replacement with one new battery type 9V is required.
- Open battery cover, then take out the battery from instrument and replace with a new 9-volt battery. Then replace the battery cover.



Distributed by:
Electus Distribution Pty. Ltd.
320 Victoria Rd, Rydalmere
NSW 2116 Australia

www.electusdistribution.com.au

Made in China