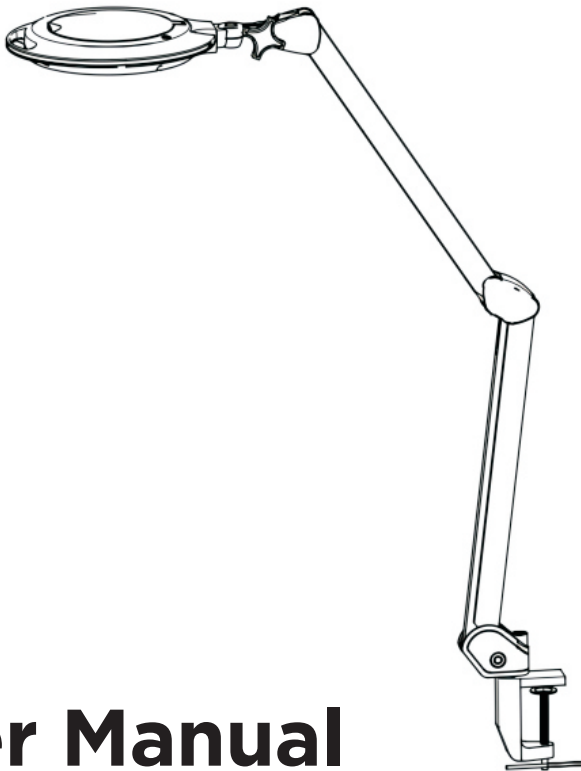


protech

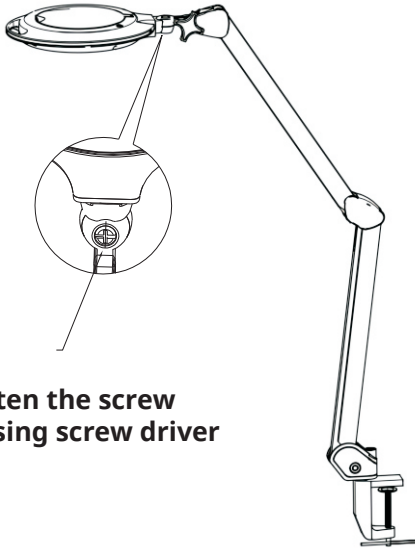
HOBBYIST

# LED Illuminated Clamp Mount Magnifier



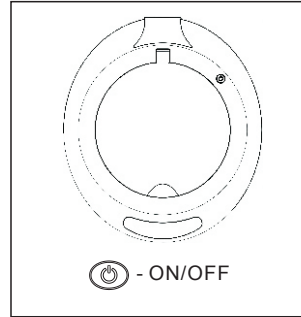
## User Manual

QM3560 / QM3562



**Tighten the screw  
by using screw driver**

### **TOUCH SWITCH INFO:**



### **How to use**

1. Clamp the bracket to the edge of any horizontal surface and insert the bottom stem of the arm into the hole in the bracket.
2. Connect the power adapter to a mains socket and plug in the DC input.
3. Adjust the locking screw at the upper side of the light as needed.
4. Use screwdriver to tighten the screw on the bottom side of the connector, if it gets loose.

### **Light control**

1. Connect the power adapter and turn on the light by touching the on/off switch
2. You can choose two different levels of intensity

### **Important for safe use**

- Indoor use only.
- Environment temperature -5°C-40°C
- Humidity: ≤95%.
- Never disassemble the lamp by yourself.
- Plug must be taken out while repairing the light.

If the external flexible cable or cord of this light is damaged, it shall be exclusively replaced by the manufacturer or his service agent or a similar qualified person in order to avoid a hazard.

**CAUTION: Do not look directly at the light!  
Keep the light away from direct sunlight!**