

Hand-Held Anemometer QM1647 User Manual

1.Introduction

- This product is a mini anemometer, which can measure air velocity and temperature.
- This product is a mini-anemometer has the characteristics of compact and portable, high contrast band induction backlight screen, comfortable hand feeling, etc.
- It uses a new low-power chip design, supplemented by scientific algorithm, independent software innovation, independent circuit improvement, so as to achieve accuracy, stability, cost-effective beyond, and create benefits for users.
- It is easy to operate, convenient and fast to use, and can be used for daily environmental monitoring in residential areas, families, workshops, workplaces and other places.

2.Precautions Before Use

- Please read the instructions carefully before using.
- The operating ambient temperature of this product is (0-50) °C and the relative humidity (<80%) RH.
- Please do not expose this product to extreme temperatures (<-20°C or > 50°C) or to excessive humidity (>85%RH).
- This product is not waterproof, please wipe the surface with alcohol when cleaning.
- To obtain a stable and accurate degree, place the instrument in the measuring environment for 3-5 minutes.
- If you find any problem, please contact with the seller, do not disassemble and repair yourself.

3.Specification

Air Velocity Measurement

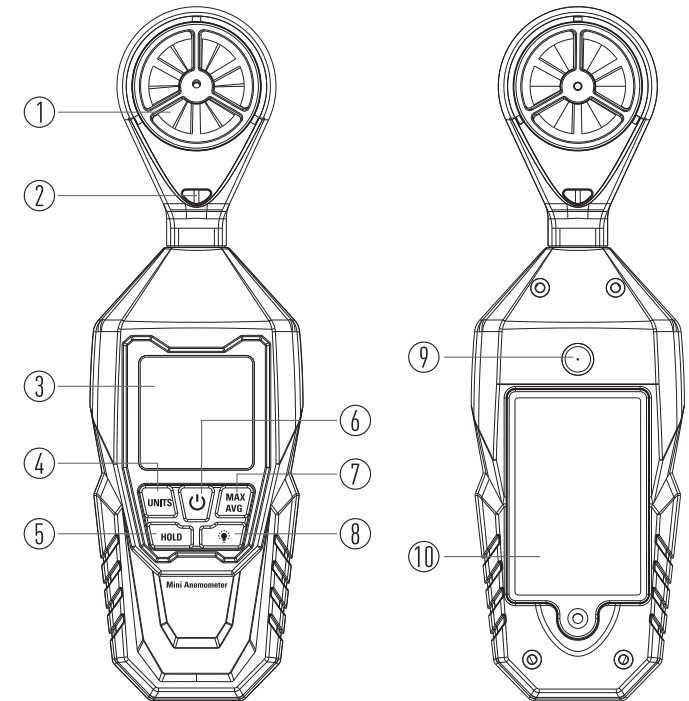
Range	0.0 to 30.0 m/s
Accuracy	±0.5 ±5% m/s
Resolution	0.1 m/s

Temperature Measurement

Temperature Range	-20 to 50°C (-4 to 122°F)
Accuracy	±2°C (4°F)
Overload Prompt	Liquid crystal display "OL"
Resolution	0.1°C/°F
Operating Temperature	0 to 50°C (32 to 122°F)
Operation Humidity	<80%RH
Storage Temperature	-10 to 60°C (14 to 140°F)
Storage Humidity	<80%RH
Battery	3 x AAA Batteries

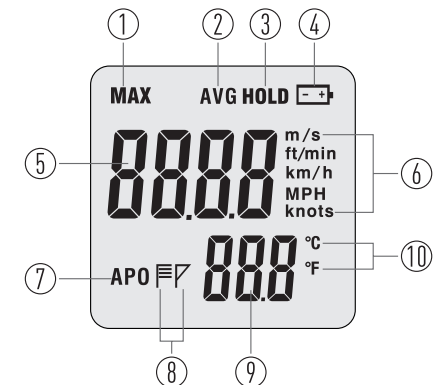
4.Meter Description

- 1-Wind Speed Sensor
- 2-Temperature Sensor
- 3-LCD Display
- 4-Units Switch Button
- 5-Data Hold Button
- 6-Power On/Off Button
- 7-MAX/AVG Button
- 8-Backlight On/Off Button
- 9-Triangular Hole
- 10-Battery Cover



5.LCD Description

- 1-Maximum value measurement mode enable symbol
- 2-Average measure mode enable symbol
- 3-Data hold mode enable symbol
- 4-Low battery indication symbol
- 5-Wind speed data
- 6-Unit of wind speed
- 7-Auto Power Off mode enable symbol
- 8-Wind speed level symbol
- 9-Temperature data
- 10-Temperature units



6. Operating Instructions

6-1. Button Instruction

6-1-1. UNITS Button

Switch Units of Wind Speed:

- Press the **UNITS** Button to switch units of wind speed.
- There are five units of wind speed, which are m/s, ft/min, km/h, MPH and knots.
- The switching order is: m/s-ft/min-km/h-MPH-knots-m/s.
- The default unit of booting is m/s.

Switch Units of Temperature:

- Long press the **UNITS** Button to switch units of temperature, which can be changed to degrees Celsius or Fahrenheit.
- The switching order is: °C-°F-°C.
- The default unit of startup is °C.

6-1-2. Power Turn ON/OFF

- Simply press the **Power On/Off** Button to turn on.
- Press and hold the **Power On/Off** Button to turn off.

6-1-3. MAX/AVG Button

- Press the **MAX/AVG** Button to switch to MAX /AVG mode.
- The order of switching is: NULL-AVG-MAX-NULL.

6-1-4. Data Hold Button

HOLD Mode Turn ON/OFF:

- Press the **Data Hold** Button to enter the HOLD mode, and the measured values of temperature and wind speed remain unchanged.
- Press the **Data Hold** Button again to exit the HOLD mode and enter the normal measurement mode.

APO Mode Turn ON/OFF:

- Long press the **Data Hold** Button to start/close the APO mode of the instrument.
- By default, the startup APO mode will be automatically turned on.
- Long press the **Data Hold** Button to turn off the automatic shutdown mode, and long press the **Data Hold** Button again to start the APO mode.


6-1-5. Backlight Button

- Press the **Backlight** Button to turn on backlight.
- Press the **Backlight** Button again to turn off backlight.


6.2 Auto Power Off Instruction

- When the device is turned on, the “**APO**” symbol appears on the screen, and APO function is started by default.
- If there is no button operation in the instrument, the device will automatically shut down within 10 minutes.
- Long press the **Data Hold** Button to cancel APO function.

6.3 Wind Symbol Instruction

- When wind speed is measured, The “” symbol on the LCD interface represents the measurement degree of wind power.
- There are 5 levels to represent the real-time measurement of wind speed.


6.4 Low Battery Instruction

- When the low batty symbol “” appears on the LCD screen, it means the battery should be replaced.
- Open the battery case and replace the expired battery with a new battery (3× 1.5v battery) to avoid data misreading.

7. Announcements

- Do not place the instrument in an overheated environment to avoid damage to the chassis.
- The instrument hood should be carefully protected and avoid falling to avoid damaging the fan and causing abnormal data collection.
- Do not throw away the waste batteries after use, so as not to cause environmental pollution.

8. Install/Replace Batteries

- When the battery power is low, the instrument will be prompted with the low electric symbol “”, please replace the new AAA battery.
- Unscrew the back cover screw, open the battery cover and replace the battery.
- When not in use for a long time, please remove the battery to extend the service life and prevent battery leakage from damaging the instrument.
- Please pay attention to the polarity of the battery, wrong placement may cause damage to the product.

9. Maintenance and Cleaning

- If necessary, use wet cloth and non-irritating detergent to clean the equipment and wipe the machine case.
- Do not use corrosive or irritating cleaners.
- Clean the screen with a dry cloth.
- Please keep the instrument in an appropriate temperature and humidity environment.
- Do not immerse the product in water or other liquids.

Distributed by: Electus Distribution Pty. Ltd.
320 Victoria Rd, Rydalmere, NSW 2116 Australia
www.electusdistribution.com.au
Made in China

