

# 1080P 4 IN 1 Pan&Tilt Camera

## Quick installation guide V1.1.0

### Preface

#### Summary:

This document describes unpacking inspection, device structures, installation, and quick configuration tool in details.

#### Signal instruction:

These symbols may appear with meanings as following:

SIGNAL	INSTRUCTION
	High potential damage. If irresistible, it will harm users with high damages.
	Intermediate or low potential damage. If irresistible, it will harm users with low damages.
	potential damage. If neglected, it may cause damages on devices, data lost, weaken performance, or unforeseeable results.
	Sensitive devices for static.
	High voltage.
	High laser radiation.
	Helps for solving problems or saving your time.
	Extra information for the contents.

### Important Safety Notices

The following contents are specification for using the devices correctly. Please read these notices and warnings carefully and obey while using it.

#### ⚠ Attention:

##### 1.1 Power

- All installation and operation here should conform to your local electrical safety codes. The power should conform to the requirement in the SELV (Safety Extra low Voltage) and the Limited Power Source rated 12V DC in the IEC60950-1. (Refer to general introduction)
- Please install the proper power cut-off device during the installation connection.
- Before running the camera, please confirm the power installed correctly.
- Please protect power cable being trampled or squeezed, especially in the socket, and exit junction.

##### 1.2 Environment

- Avoid focusing on highlight (such as the sun or lights), otherwise it may cause over explosion phenomenon (this is not device's problem) or may damage camera's CCD (or CMOS).
- Please transport, use and store the camera under allowable temperature and humidity range. Do not put the device under wet, dusty, extremely hot or cold, strong electromagnetic radiation or unstable lighting conditions etc.
- Prevent water or other liquid falling into the camera.
- Please keep the ventilation around the device.
- No heavy stress, violent vibration or water splash are allowed during the transportation and storage.
- When transporting the camera, it should use company packing or use same quality material packing.
- Thunder-proof device is recommended to be adopted for preventing thunder better.

##### 1.3 Operation and Maintenance

- Do not dismantle the camera since no components inside which can be repaired by users.
- Do not touch the CCD (CMOS) optic component directly; you can use the blower to clean the dust on the lens' surface. If necessary, please gently clean the dust with dry cloth which is slightly wet with alcohol.
- Please use soft cloth to clean the device. For heavy dirt, please put little detergent on the cloth to clean and dry. Do not use volatile solvent, such as Alcohol, Benzene or Diluente, or irritant and abrasiveness cleanser to clean the device. Otherwise, it will damage the device or weaken camera working performance.
- The material of front cover is optic component, please do not touch or clean the surface directly. For cleaning, please use professional optical cleaning method. Inadaptable cleaning method (e.g. cleaning directly with cloth) may result in a harmful effect on the infrared function of the camera.

#### ⚠ Warning:

- Be sure to use all the accessories recommended by manufacturer and the installation and repairs should be conducted by professionals.
- Please make sure the CCD (or CMOS) component is out of the radiation of laser beam devices. Otherwise it may result in damage on the component.

### Special explanation

- Because our company continuously adopts new technologies, product parameters change without prior notice. Some function of products may have slight difference after the updates.
- For receiving the latest procedures and additional instruction document, please contact the company's customer service department.
- If there are any problems while using the camera, please feel free to contact the supplier or the company's customer service department.
- Because of the real environment and other unstable factors, some data may be different with instruction guide. If there are any questions and disputes, please regard the company's final explanation as the criterion.
- please follow instruction guide, we are not liable for any problems caused by man-made damage.
- This manual is for reference only. Slight difference may be found in users' interface.

### Checking Box

#### 1.1 Checking Steps

When user received the Pan & Tilt Camera, please check whether it has obviously damage on the appearance of equipment. Packing material can stand accidental Crash on transport. Please open the package and check all the components are included. Please reference the following form.

#### 1.2 Accessories

Be sure to use all the accessories recommended by manufacturer.

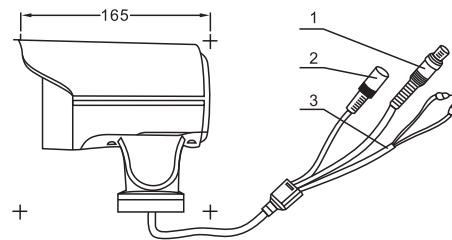
Sheet 1-1 Accessory

ACCESSORY	SPECIFICATION	QUANTITY
CAMERA	PIECE	1
GUIDE	PIECE	1
POWER	PIECE	1

## 2 Structure

#### 2.1 Multiple-function Combination Cable

You can refer to the following figure for multiple-function combination cable information. See Figure 2-1. There might be some differences among different serial products.



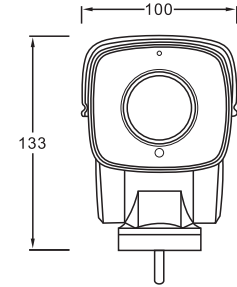
Picture 2-1 Cable

Sheet 1-2 Cable Function Instruction

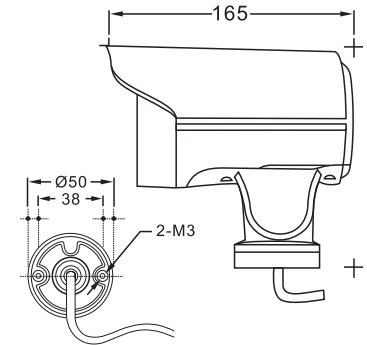
SN	Interface	Description
1	Video	Video Out
2	Power	Power, DC12V/1.5A
3	485	485 Controller, red 485A, black 485B

#### 2.2 Structure size

(Unit: mm)

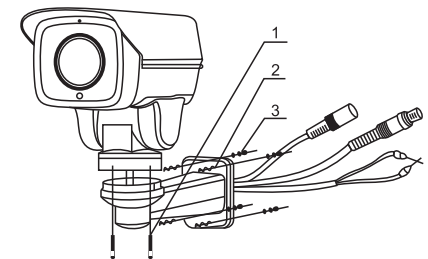


Picture 2-2 Dimension



Picture 2-3 Dimension

## 3 Device Installation



Picture 3-1 Device installation

This camera can be installed on the wall, please refer to the following steps:  
The installation wall should maintain at least triple weight as bracket and camera's.

Step 1: Install bracket of camera

For cement wall:

1. Installation expansion bolts (Insert the expansion bolt into the bracket holes)
2. Put cable through bracket inner.
3. Use the cross-head screwdriver to fix the adjust screw firmly.

For woodiness surface, do not need to install expansion bolt, use cross-head screwdriver fix firmly.

Step 2: Install camera

Insert the expansion bolt into the installation holes. Take the screws from the accessories bag and then use them to secure the device on the installation surface of the wall or the ceiling.

Step 3: Use the cross-head screwdriver to fix the adjust screw, confirm camera firmly.

Step 4: Use keyboard or DVR to control the camera and adjust the location.

#### ⚠ Warnings:

Please do not adjust camera's structure manually which will damage the device.  
After installation, please take care of the waterproof of the device. Ensure water cannot go alone the extension line to the camera.

## 4

### Settings for Camera

#### 4.1 Setting through Preset Compound Commands.

1. Camera can automatically recognize baud rate as:  
2400/4800/9600/19200bps. If user don't know camera ID, set the ID of keyboard or ID of DVR as 255 broadcast ID first, then set camera ID

2. Connect Pan & Tilt camera with controlling device such as keyboards or DVR and adjust corresponding address and bit rate. Make sure users can control the device normally.

3. Setting through preset command, specific method is as follows:

Caution: After setting, if the format of the video is not matching with the one in DVR or other devices, images may not be shown on the screen.

Command	function	instrunction
call 101-116preset (twice)	set camera address(1-16)	ID: 1-16
Set 50, Call 60 preset, Call "N"	set camera address "N"	ID: N: 1-255
Set 50, Call 77 preset, Call "N"	Scan Speed	N: 1-20
Set 50, Call 71 preset, Call "N"	IR Power grade	N: 1-100
Set 50, Call 73 preset, Call "N"	IR sensitivity (default value 73)	N: 1-100
Set 50, Call 74 preset, Call "N"	Tour Dwell times	N: 4-60(S)
Set 50, Call 80 preset, Call "N"	Guard function	N:1.close guard function 2.preset*1* 3.scan 4.tour
Set 50, Call 81 preset, Call "N"	Powerup action function	N:1.close powerup function 2.preset*1* 3.scan 4.tour
Call 54 preset	run scan(set speed)	run scan
Call 55 preset	set scan left limit	left border
Call 56 preset	set scan right limit	right border
Call 57 preset	run scan(5"/S)	run scan
Call 58 preset	run scan(10"/S)	run scan
Call 59 preset	run scan(20"/S)	run scan
Call 63 preset	clear all preset	clear all preset
Call 64 preset	run tour	run tour
Call 65 preset	Initialize the len	
Call 69 preset	none auto run when power up	power up action
Call 70 preset	Factory default	Factory default
Call 72 preset	Reset	

Note:

1. If the video format after setting could not match display device or DVR, it may lead to image showing unsuccessfully.

#### Lens adjustment instructions:

Firstly confirm the PTZ camera can be controlled by UTC normally. If not, please check the DVR settings, put the PTZ camera face to items which easy to identify the object under 3-5 meters.

(No operation experience person please do not operate it, so as to avoid mistakes caused by operation during using PTZ camera and make it damaged).

1. Open the PTZ control interface on DVR, call the "65" preset point, make the lens do initialization, image will be stop change initialization once complete. (Initialization process of about 2 to 3 minutes).

2. Click on the DVR PTZ control panel, click "Focus +" and "Focus -" to debug the image to a clear position then stop.

3. Click on the DVR PTZ control panel, click "zoom +" to make the lens a large multiples of focus settings, click "Focus +" and "Focus" Debug the image to a clear position then stop.

4. Click the DVR PTZ control panel, click the "zoom -" to make the lens to a small multiples of focus settings, click the "focus +" and "focus -" Debug to a clear position of the image then stop.

5. Repeat the above steps, debugging the other lens multiples of clarity.