

## TROUBLE SHOOTING

### No Picture/Signal:

- Make sure all the connections are secure and properly connected.
- Make sure your monitor is plugged into a power source.
- Make sure there is nothing obstructing the view of the camera.

### No Picture, but intercommunication is normal:

- Make sure all the connections are secure and properly connected.
- Make sure there is nothing obstructing the view of the camera.

### No audio when calling:

- Make sure the volume notch on the LCD Monitor is turned up.
- Make sure there is nothing interfering with the speaker or microphone on the LCD Monitor of the camera.
- Make sure all the connections are secure and properly connected.

### The Doorphone Camera cannot call the LCD Monitor:

- Make sure all the connections are secure and properly connected.

### Door Unlock not Functioning:

- Make sure the connections with the locks are secure and properly connected.
- Make sure you have the lock wired to a power source which is enough to make it operate.

### No one can hear me outside but I can hear them after calling:

- Press Answer Button for two-way intercom.
- Make sure all the connections are secure and properly connected.

### No one can hear me outside but I can hear them when monitoring:

- Press Answer Button for two-way intercom since simple touch MONITOR allows you to see and hear outside but prevents the outside from hearing you.
- Make sure all the connections are secure and properly connected.

Distributed by:

TechBrands by Electus Distribution Pty. Ltd.

320 Victoria Rd, Rydalmere NSW 2116 Australia

Ph: 1300 738 555 Int'l: +61 2 8832 3200

Fax: 1300 738 500

[www.techbrands.com](http://www.techbrands.com)

Made in China



## Additional 7" LCD Monitor to suit QC-3880 7" LCD Video Doorphone QC-3882 User Manual

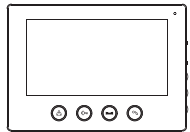
## PRODUCT DESCRIPTION

Expand the functionality of the 7" video doorphone system by adding another monitor to another location in the house. It provides greater flexibility, especially in multi-story homes. Provides the same level of control as the original monitor, just from an additional location.

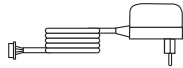
## FEATURES

- 2-Way Audio Intercom
- Electronic Door Strike & Gate Unlock
- 16 Selectable Melodies
- 3 Level Volume Adjustment
- Adjustable Brightness & Contrast

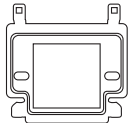
## BOX CONTENTS



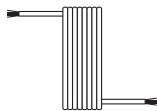
1 x 7" LCD Monitor



1 x Mains Power Adapter



1 x Monitor Mounting Bracket



1 x 20m Video & Power Cable



1 x Mounting Hardware

## TECHNICAL SPECIFICATIONS

### LCD Monitor

LCD:	7" Touch Button
Resolution:	800 x 480
Power:	12VDC, 1.1A
Power Consumption:	580mA (Max)
Dimensions:	215(W) x 152(H) x 20(D)mm (Excluding Bracket)

## SAFETY INSTRUCTIONS

- Keep the LCD Monitor away from high temperature such as near an oven or under direct sunlight, and high humidity such as bathrooms and greenhouses.
- Do not install the LCD Monitor close to a television or position with strong jamming - the signals can suffer interference.
- Do not touch the unit with wet hands.
- Avoid throwing, dropping or hitting the units.
- Clean the camera or screen with a soft cloth. Do not use detergent, thinner, volatile or corrosive liquids.
- Do not expose the Doorphone Camera to direct sunlight.
- Use the product with no interference.

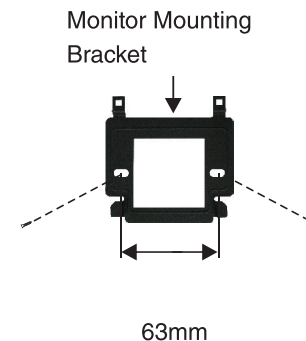
## CAUTION

1. To prevent damage, the mains power adapter should be fastened on the wall according to instructions.
2. Power plug should be easily accessible.

## SYSTEM INSTALLATION

### A. LCD Monitor

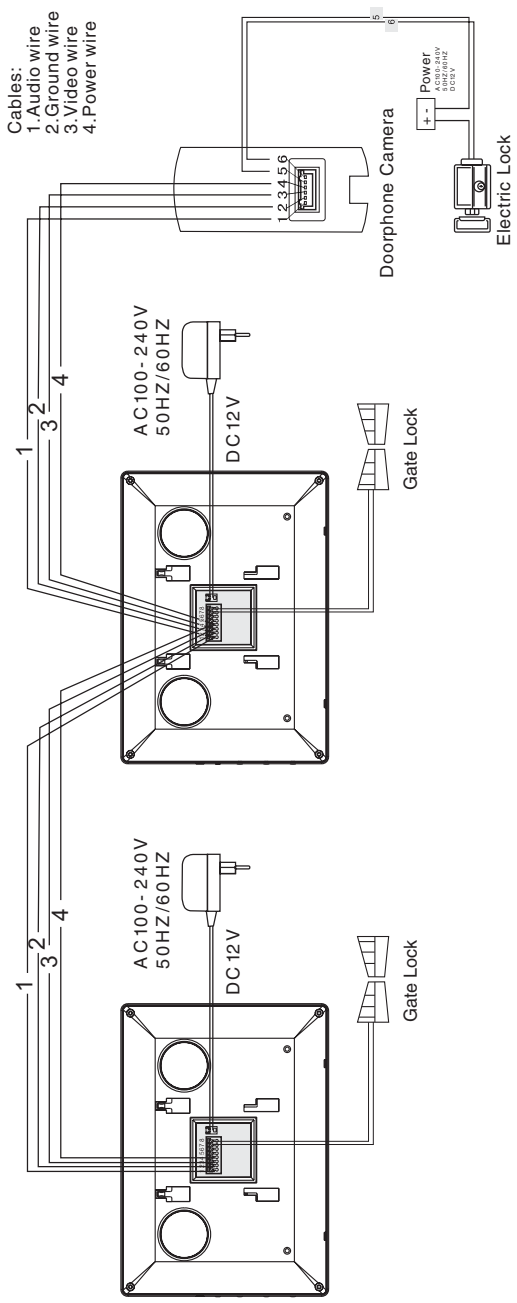
1. Fasten the Monitor Mounting Bracket of the LCD Monitor on the wall with screws.
2. Connect the 4-core wire of the LCD Monitor and the power wire according to the wiring diagram. (Pay attention to the position of the cables which may affect the installation of the LCD Monitor). Hang the unit on the Monitor Mounting Bracket after finishing the connection and connect it to the power supply.



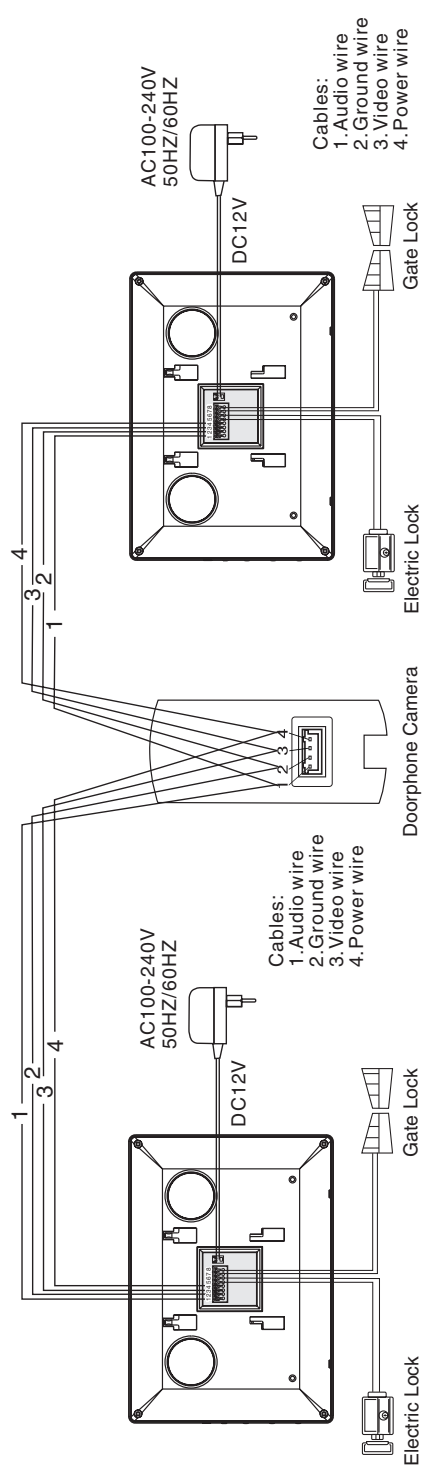
## B. Wiring Diagram

### Monitor Support: Supports up to 3 Monitors in total

#### Connect the electric lock with Doorphone Camera



#### Connect the electric lock with LCD Monitor



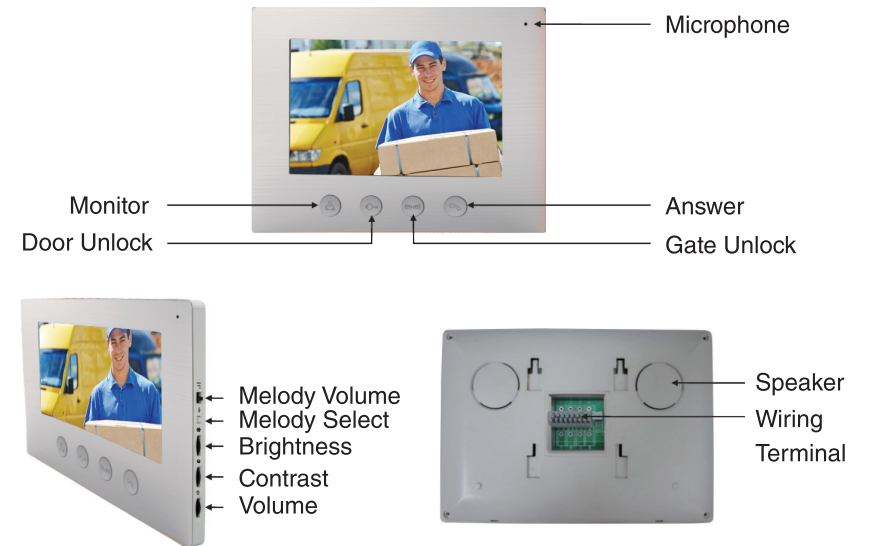
## WIRING REQUIREMENTS

1. Please use 20m cable to connect LCD Monitor with Doorphone Camera.
2. RVV4 x 0.5mm<sup>2</sup> connecting wire can be chosen if you want to lengthen it to 15~50m.
3. RVV4 x 0.75mm<sup>2</sup> connecting wire can be chosen if you want to lengthen it to 50~100m.
4. Use RVV2 x 1.0mm<sup>2</sup> connecting wire for the electric-lock. Connect the wiring terminal 1, 2, 3, 4 of LCD Monitor with the wiring terminals 1, 2, 3, 4 of Doorphone Camera respectively. The wiring terminals 5 and 6 of LCD Monitors are connected to electric-lock through RVV2x1.0mm<sup>2</sup> wire. The wiring terminals 7 and 8 of LCD Monitor are connected to gate lock through RVV2x1.0mm<sup>2</sup> wire. Please refer to the wiring diagram during connection.

Please choose only one connecting method. The electric lock can be connected either with the LCD Monitor or with the Doorphone Camera. Connecting the electric lock with both the LCD Monitor and Doorphone Camera at the same time is prohibited.

## OPERATION INSTRUCTIONS

### LCD Monitor



1. Press Doorbell Button of Doorphone Camera to call. The LCD Monitor will ring and show the image of visitors. Press Answer Button (📞) to activate intercom with the visitor. Talking time is about 120 seconds.
2. Touch the Door Unlock Button (🔑) of LCD Monitor to release the electric lock.
3. Touch the Gate Unlock (🚪) button to release the outdoor gate.
4. Press Monitor Button (👤) to start monitoring outside. The monitoring time is about 40 seconds. Touch Answer Button (📞) again to talk with the visitor and the talking time is about 120 seconds. When the conversation is over, touch Answer Button (📞) to end the intercom.
5. Turn the adjust knobs (🔍), (🔊), (🔊), (🔊) on the side of LCD Monitor to adjust the brightness, contrast and talking volume. Slide the Ringtone Volume switch (🔊) to set the volume to High/Medium/Low.