

# NEXTECH

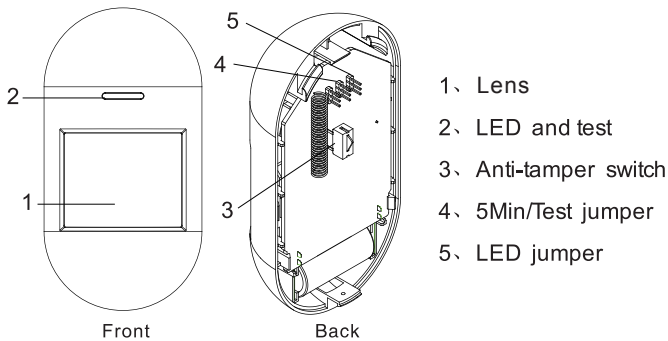
## Wireless PIR Detector QC3876 User Manual

Distributed by:  
TechBrands by Electus Distribution Pty. Ltd.  
320 Victoria Rd, Rydalmere  
NSW 2116 Australia  
Ph: 1300 738 555  
www.techbrands.com  
Made in China



This detector adopts 16-Bit MCU, micro radio transmission circuit and fixed million encoding technology to solve signal interference of multi-detectors. It takes the advantages of low power consumption, low voltage indication, anti-tamper alarm and online report. This product is widely used in banks, warehouses and family houses., etc.

### GENERAL VIEW



S-S means: self-supervision for detector, when this function is "ON", the detector will send signal to control panel every 1 hour to report the working status.

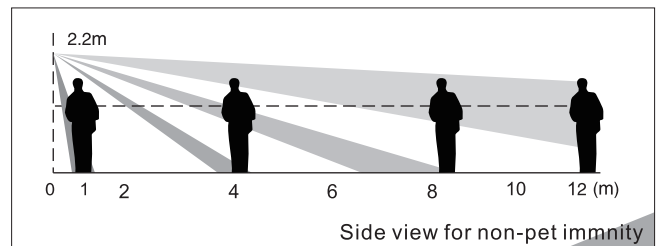
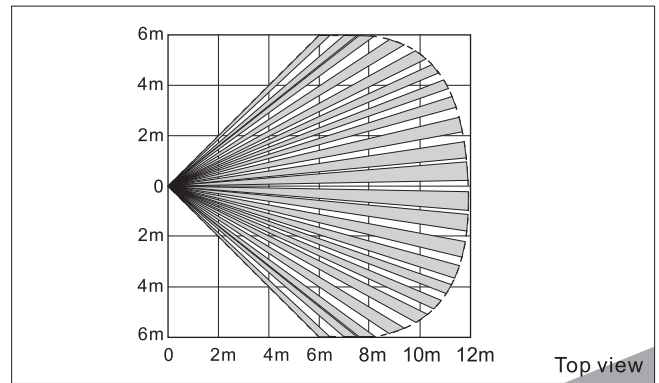
### FEATURES

- Adopts 16-Bit low power consumption MCU
- Low voltage indication
- Wireless signal transmission
- Low power consumption, long life batteries
- Digital temperature compensation
- White light immunity
- Fixed built-in million encoding, no need to jump code
- Register by code learn or input
- Periodically send online report to control panel

### TECHNICAL PARAMETER

Transmitting frequency	433MHZ/868MHZ
Working voltage	3V CR123A
Battery life	1 year(20 times a day)
Standby /Working current	< 15uA/<22mA
Lower voltage alarm	2.5V±0.1V
Transmitting power	≤ 13dBm
Working temperature	-10℃ ~+55℃
Detecting range	12m
Detecting angle	110°
Installation method	Wall mounted
Installation height	optimal height 2.2m
Size	113X55X38mm

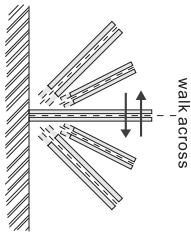
### DETECTING RANGE OF WIDE-ANGLE LENS



### USAGE

1. Power on, after 60s LED flashing, the detector self-tests the voltage. It sends the signal to control panel to show the voltage situation.
2. In working status, inspector walks through the detecting area, LED turns on. Then the detector sends alarm signal.
3. 5Min/Test jumper is used to select use mode or test mode. In test mode, the detector sends every signal it catches. The jumper falls on 5Min for normal use. In this status, after the detector alarms, it will not send alarm in 5 min even if it catches a second signal. 5min later, it will send signal when it catches. The factory default is in 5min mode.
4. LED jumper is used to control LED indication, which will not influence other functions of detector. In order to enhance its invisibility and save battery, it is suggest to turn the LED jumper to OFF when finishing test(LED OFF).
5. Within 5 minutes after powered on the detector, the detector will be in the automatic test mode. No matter the 5Min/Test Jumper or LED Jumper is on or off, the LED will be on and the detector will send every signal it catches.
6. Anti-tamper switch: when the detector is disassembled, the detector will send the tamper alarm signal 3 times with LED flashing quickly. When the tamper is recovered, it will send signal for reset.
7. Low voltage indication: When the voltage is below 2.5V ± 0.1V, LED flashes every 5 sec and sends low power signal to the control panel after 10 sec, and then every 1 hour. When user changes a new battery, it self-checks and will send voltage recovery signal to the control panel.
8. S-S(Self-supervision) function: the detector will send signal to control panel every 1 hour to report the working status.

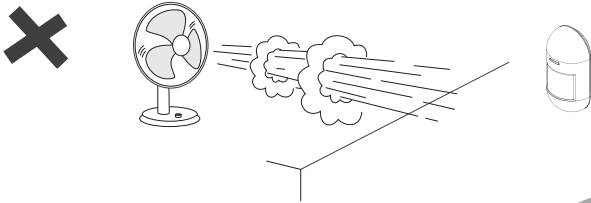
## INSTALLATION:



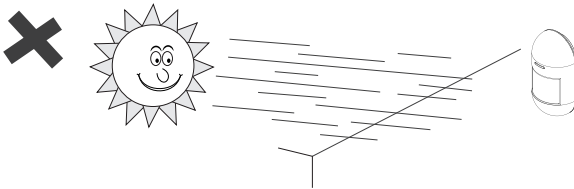
1. The detector should be installed in the place where intruder enters easily, such as near door and window. Try best to ensure the intruder walk across the detecting range.

TOP VIEW 1

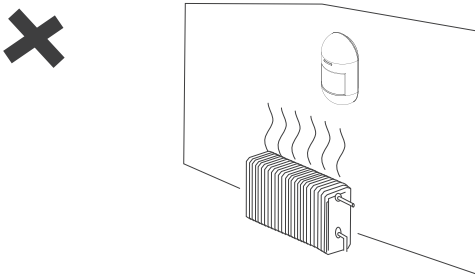
2. Avoid installing the detector close to objects that can cause rapid temperature changes, such as heaters, fans, refrigerators, ovens etc, meanwhile prevent from point-blank sunshine on the detector.



2



3

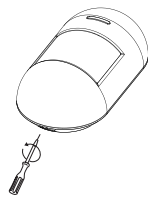


4

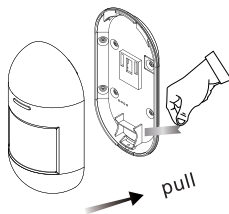
3. Keep no veil in front of the detector to ensure its normal performance.
4. Please use the bracket, details see the wiring diagram.

## WIRING DIAGRAM

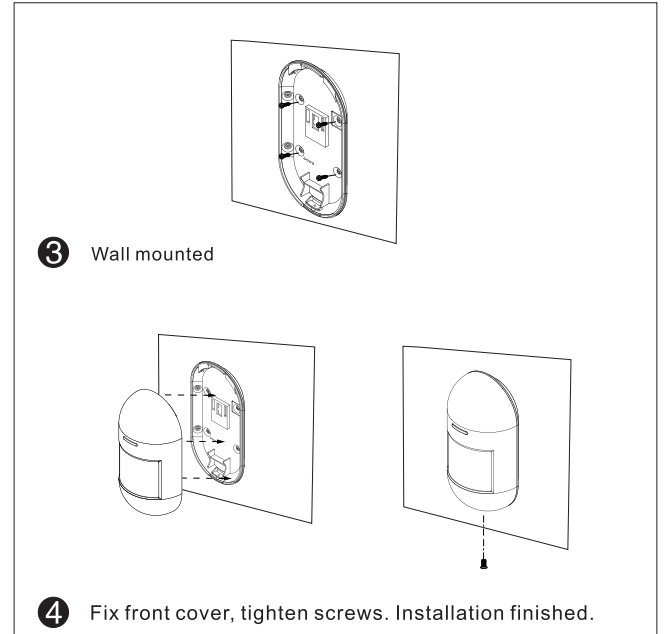
### Wall Mounted



- 1 Screw out the screw by screwdriver.



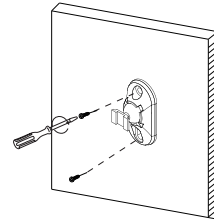
- 2 Pull out insulation sheet.



- 3 Wall mounted

- 4 Fix front cover, tighten screws. Installation finished.

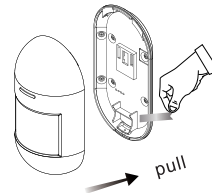
### Bracket Mounted



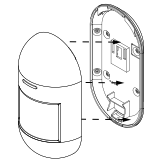
- 1 Choose suitable place, fix the bracket base with screws.



- 2 Screw out the screw by screwdriver.



- 3 Pull out insulation sheet and close the housing.



- 4 Adjust the direction. Installation finished.

## NOTICE

1. Please install and use the detector correctly according to the manual. Do not touch the detector surface to warrant the sensitivity. If necessary, clean the sensor with soft cloth dipping with a little alcohol when power off.
2. Avoid using the detector in environment with great changes temperature.
3. This product can reduce the possibility of accident, but can not guarantee absolute safety due to some other unexpected factors. Therefore, besides using the detector correctly, please take all necessary precautions and enhance safety consciousness in daily life.
4. If the detector isn't used for a long time, please take off the batteries.