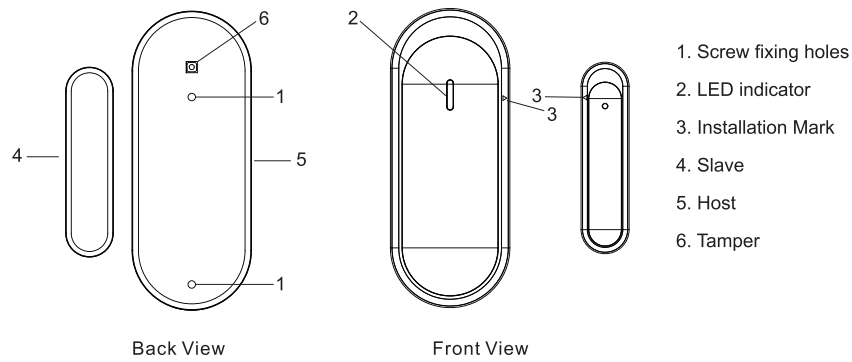
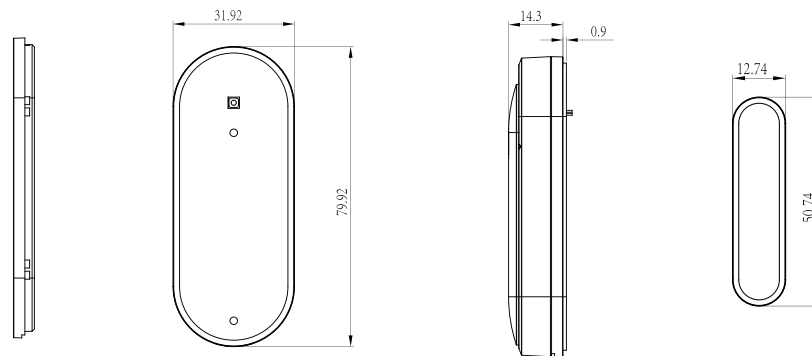


# NEXTECH

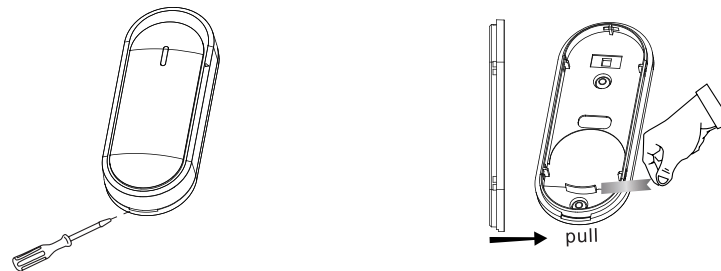
## Wireless Reed Sensor QC3874 User Manual



### Installation Dimensions:

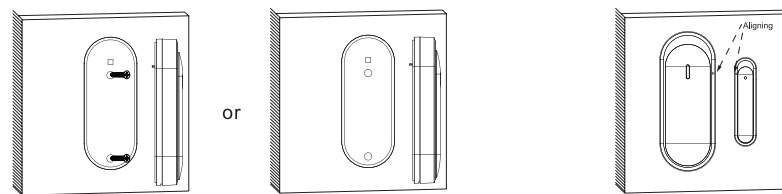


### Installation Diagram:



1. Open the housing gently by screwdriver.

2. Pull out insulation sheet.



3. 1) Fix well the bottom case on the wall by screw (screw installation method).  
2) Fix well the bottom case on the wall by dual adhesive tape. (adhesive tape installation method).

4. Aligning by using triangle mark point.

Distributed by:  
TechBrands by Electus Distribution Pty. Ltd.  
320 Victoria Rd, Rydalmere  
NSW 2116 Australia

Ph: 1300 738 555  
Int'l: +61 2 8832 3200  
Fax: 1300 738 500  
www.techbrands.com

Made in China



**Connects wirelessly with the QC3870 Wi-Fi Camera System to provide added security around the home or office on doors or windows.**

### **Specifications:**

Battery:	1 x CR2450
Transmitting Frequency:	433MHz
Transmitting Distance:	Up to 100m (Open area)
Working Voltage:	3VDC
Battery Life:	>1 year
Static Current:	≤7μA
Working Current:	≤25mA
Low-Voltage Alarm:	2.5V
Active Gap:	≥14mm
Detection Alarm:	Notification Push with Alarm Tone
Weight:	35g
Dimensions:	32(W) x 80(H) x 14(D)mm

### **Installation Steps:**

1. Install the magnet part in movable doors or windows, and the reed switch part in the frames of doors or windows.
2. These two parts should be installed completely parallel to each other. The distance between them should be less than 5mm, 0mm is best. If the distance for installation is larger than the active gap, the magnetic switch may not work.
3. The magnetic switch should be mounted in a place that is hard to reach.

### **Product Usage:**

1. Remove the base and the battery cover, pull out the black insulation film. Put in the battery, and the magnetic switch is now working.
2. The magnetic switch will check the voltage when powering on. If the voltage is lower than 2.5V it will send low voltage signal to the control panel within 10 seconds. It will also send to the control panel every 1 hour. If a new battery is installed, it will send a recovery signal.
3. When the unit is activated by an open door or window, the switch sends a signal to the control panel and the LED flashes. When the door or window is closed, the product will send recovery signal for closing to the control panel.
4. Registry is necessary for first use. Power the product for normal use. During code learn, move the magnet and reed switch separately to send signal to the control panel. Once the signal is received successfully the registry is complete.
5. The magnetic switch will send an online report of working status to the control panel every 1 hour, as factory default.
6. When the magnetic switch is taken apart from the wall, it will send out an anti-tamper signal and tamper recovery signal after re-installation.

### **Notice:**

1. Due to the low power consumption, please wait for 5 seconds to re-power the magnetic switch after pulling out the battery.
2. Please correctly install and use this product according to the manual.
3. Avoid installing in metal doors and windows.
4. This product can reduce the possibility of accident, but can not guarantee absolute safety due to unexpected factors. Therefore, besides using this product correctly, please take other precautions.
5. If the product is not used for a long period of time, please take out the battery.

