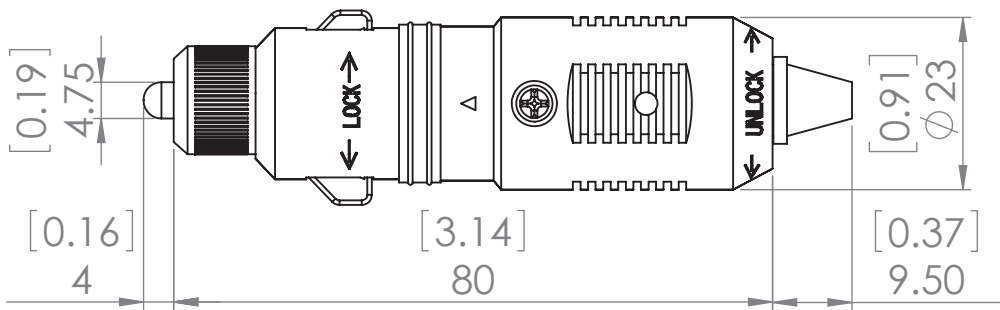
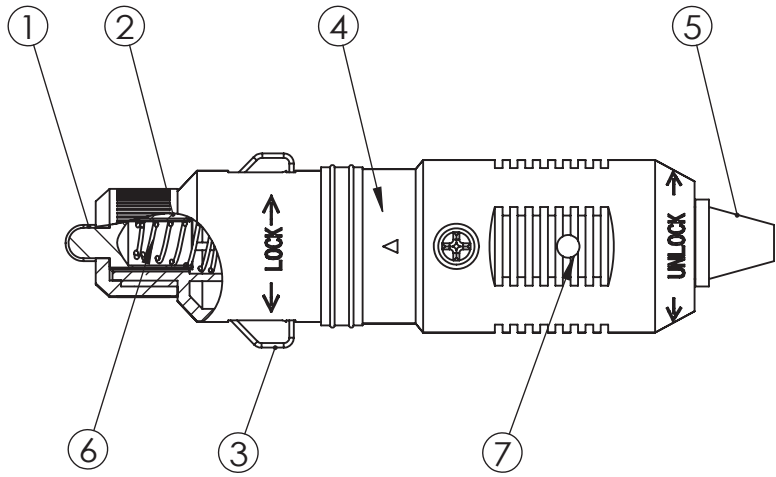


Description:
 Flammability Rating:UL94V-0
 Fuse: Fast Acting 3AG Fuse.
 250V,10 Amp, 6.35mmX31.75mm(1/4"X1 1/4")
 RoHS Compliant



No.	Part Name	Material	Note
1	Terminal(+)	Brass	Nickel Plated
2	Cap	Brass	Nickel Plated
3	Terminal(-)	Brass	Nickel Plated
4	Casing	Nylon66 UL94V-0	
5	SR	PVC 100%	
6	Spring	Pho.Bronze	d0.8mm x 4NT
7	LED	Green or Red	∅ 3mm

Item#		AP121A		Part#		Rev.		0			
Modify	Date	Revision		Approval	No.	Title		Part	Unit	m/m	
						Mat'l		Finish	Ratio	1:1	
Size	0.5-6	>6-30	>30-120	>120-400	Auth	林協德	CHK	Derek	DWG	Ring	
Tol	+/-0.05	+/-0.1	+/-0.15	+/-0.2				Date	2017.12.04	Proj.	3rd