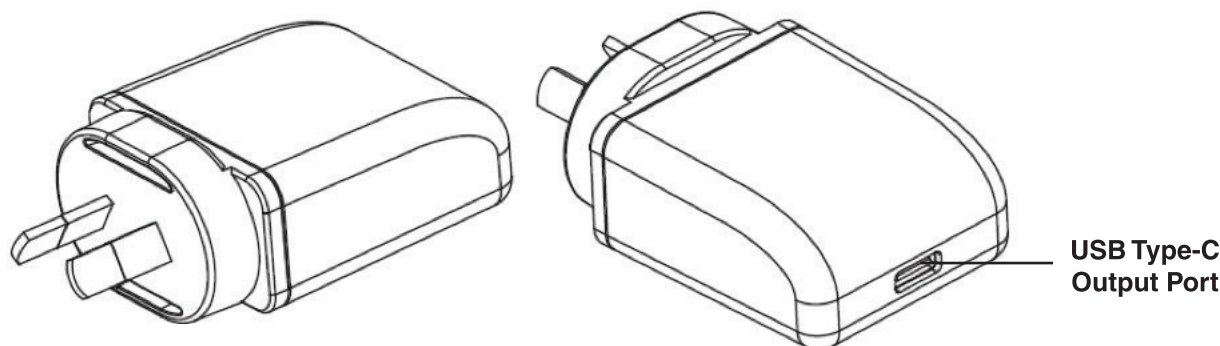


INTRODUCTION

Thank you for purchasing this product. Please read this manual carefully. It contains important operating instructions. This adaptor is designed for your USB Type-C enabled devices which accept PD charging (5VDC 3A, 9VDC 2A, 12VDC 1.5A) and it is compatible with the most popular brands of tablets, smartphones and game consoles.



SPECIFICATIONS

Input:	100-240V AC 50/60Hz
Output:	5VDC @ 3A, 9VDC @ 2A, 12VDC @ 1.5A
Weight:	55g
Dimensions:	43(W) x 27(H) x 74(D)mm

FEATURES

- Worldwide Use - Universal Input Voltage 100-240VAC, 50/60Hz
- With USB Type-C socket for reversal plug which allows to connect no matter which side is up and fast charges your USB Type-C enabled devices.
- Compatible with the latest tablets, smartphones & game consoles such as:
 - Smartphones: Samsung Note 8, LG G5, Nexus 6P, Nexus 5X, OnePlus 2, iPhone 8/8Plus, iPhone X and more.
 - Game Consoles: Nintendo Switch™ and more.
- Compact size, lightweight and portable
- High efficiency and low energy consumption. Complies to energy efficiency Level V requirement.
- Stabilised output and low ripple
- Short circuit and overload protection

CHARGING YOUR TYPE-C DEVICES

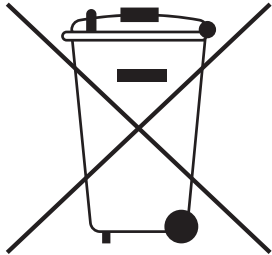
Important: Check for voltage compatibility with your Type-C device first.

1. Before using, check your Type-C device's input voltage and this USB-C adaptor's output voltage, they should match. Make sure the total current draw does not exceed the rated output current of this adaptor.
2. Connect your device and the Type-C port of this adaptor via charging cable. To ensure complete safety and best performance, we strongly recommend using the original charging cable of your device.
3. Plug this USB-C adaptor into wall outlet (100-240VAC). The built-in switching power transformer will adjust the voltage automatically.
4. This USB-C adaptor will detect the best charging mode and start charging your device automatically.
5. Your device should indicate that it is now in charging mode. When charging is completed, disconnect device from the adaptor.
6. Unplug this adaptor from wall outlet when not in use.



IMPORTANT SAFETY INSTRUCTIONS

1. Do not short circuit
2. Ensure correct voltage is used as continuous excessive voltage could damage your equipment
3. Do not try to use this power supply with appliances requiring more than 18Watt
4. Do not attempt to open this unit
5. Remove from mains when not in use
6. Always turn off the device before you connect/disconnect from the USB-C adaptor
7. The socket-outlet should be installed near the equipment and shall be easily accessible



CORRECT DISPOSAL OF THIS PRODUCT

This marking indicates that this product should not be disposed with other household wastes throughout Australia and New Zealand. To prevent possible harm to the environment or human health from uncontrolled waste disposal, recycle it responsibly to promote the sustainable reuse of material resources. To return your used device, please use the return and collection systems or contact the retailer where the product was purchased. They can take this product for environmental safe recycling.

** iPhone, iPad, iPod are the trademark and properties of Apple Inc.

** All brand names are registered trademarks of their respective owners

Distributed by:
TechBrands by Electus Distribution Pty. Ltd.
320 Victoria Rd, Rydalmere
NSW 2116 Australia

Ph: 1300 738 555
Int'l: +61 2 8832 3200
Fax: 1300 738 500

www.techbrands.com

Made in China

