

PRODUCT PART No. : TF411756

QUOTE No. : SOA 1210

SOANAR Assembly Page.

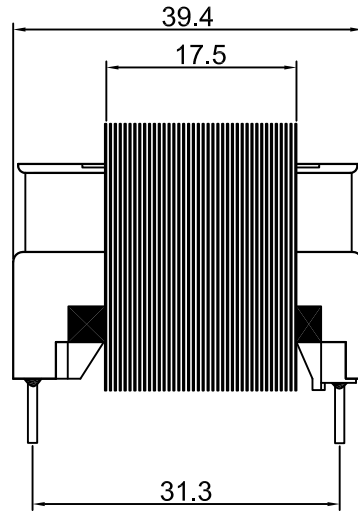
Lam. Size. EI41

Lam. Grade. H14 **ANNEALED**

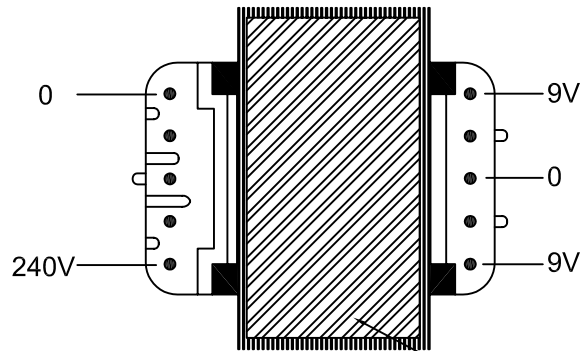
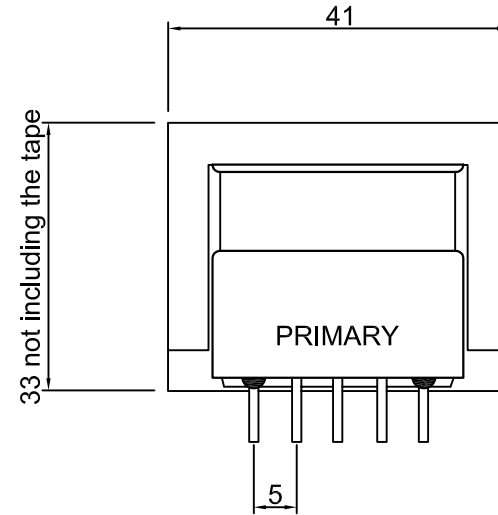
Core Stack. 17.5mm

Laminate x 1

Edge Insul. Melinex

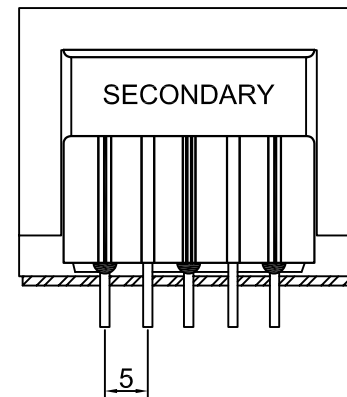


Fit Melinex edge insulators on primary side as shown.



Max. output current 350mA.

Double sided tape to be fitted after Varnish.



Varnish: Air Dry, Isonel 642



Varnish: Preheat, Dip, Bake, Isonel 472



ISSUE 01: 25-10-2006 Paris