

# USER MANUAL

---

***POWERTECH***  
Powered by ECOBOX®



**Solar Portable Generator  
MB3742**

# Contents

<b>1.0 Important Maintenance Notes</b>	01
<b>2.0 General Information</b>	
2.1 Overview	02
2.2 Control Panel	02
2.3 Parts / Accessories	03
<b>3.0 Charging MB3742</b>	
3.1 Charge from AC/DC Adaptor	05
3.2 Charge from Solar Panel	05
<b>4.0 Power Output</b>	
4.1 USB Socket	06
4.2 5.5mm DC Jack Socket	06
4.3 Cigarette Lighter Socket	06
4.4 AC Socket	06
<b>5.0 LED Indications</b>	
5.1 Charging and Battery Level Indication	07
5.2 DC Output Indication	08
5.3 AC Output Indication	08
<b>6.0 Technical Specifications</b>	09

## 1.0 Important Maintenance Notes



### **CAUTION!**

- **BEFORE USING MB3742 FOR THE FIRST TIME, PLEASE ENSURE YOU FULLY CHARGE THE UNIT EITHER BY USING THE AC CHARGER PROVIDED FOR AT LEAST 6 HOURS OR VIA SOLAR PANELS PROVIDED FOR 12 HOURS.**
- **PLEASE CHARGE MB3742 EVERY THREE MONTHS TO MAINTAIN THE BATTERY LIFE.**
- **ENSURE THAT THE UNIT IS FULLY CHARGED IMMEDIATELY AFTER EACH USE TO PREVENT BATTERY DAMAGE.**
  - DO NOT alter or remove the factory plates and identification labels.
  - DO NOT disassemble the device.(No user serviceable parts inside)

## **WARNING**

**DO NOT disassemble.**



**High Voltage  
inside the product.**

- **REMARK:**
  - Please turn OFF the Master Switch when not in use.
  - Please turn OFF the DC Output Switch when DC output is not in use.
  - Please turn OFF the AC output Switch when AC socket power output is not in use.

## 2.0 General Information

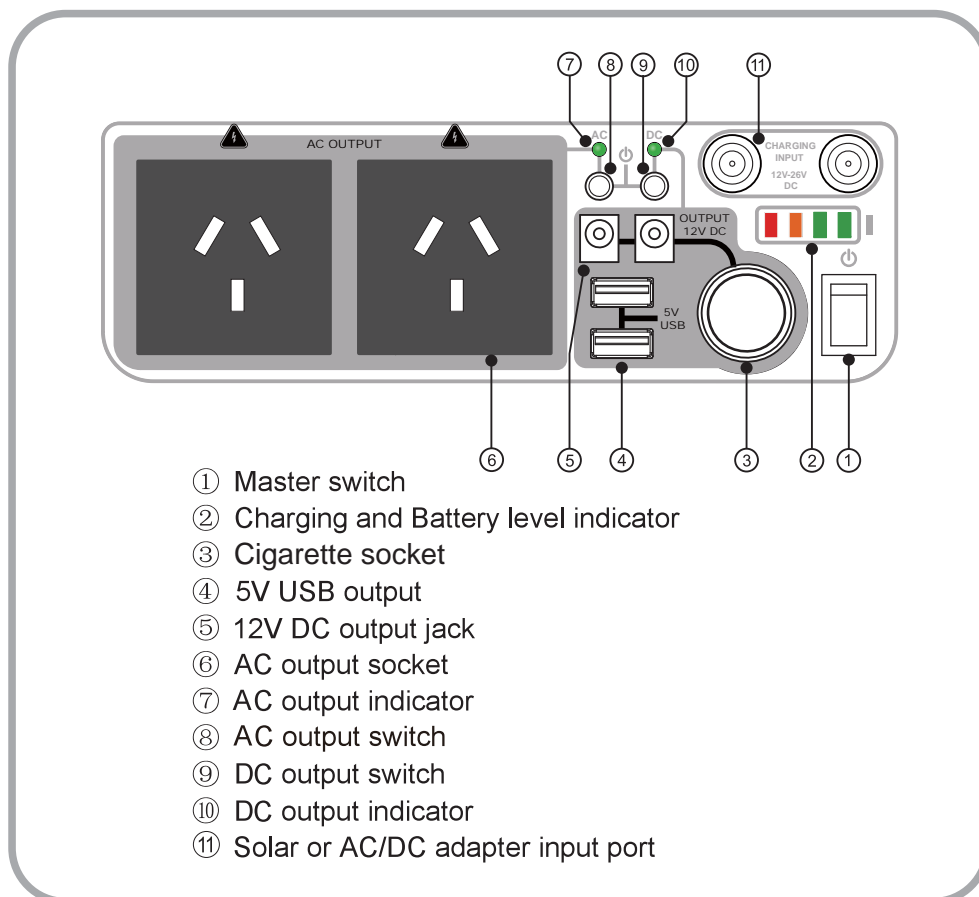
### 2.1 Overview



MB3742 is a solar portable generator with both AC and DC outlets and provides power to different devices.

MB3742 stores energy in its built in battery either via solar panel charging or via an AC charger. The kit is ideal for home use, recreational, outdoor, office and emergency back up power.

MB3742 has overcurrent protection, short circuit protection, under-voltage and over-voltage protection.

### 2.2 Control Panel



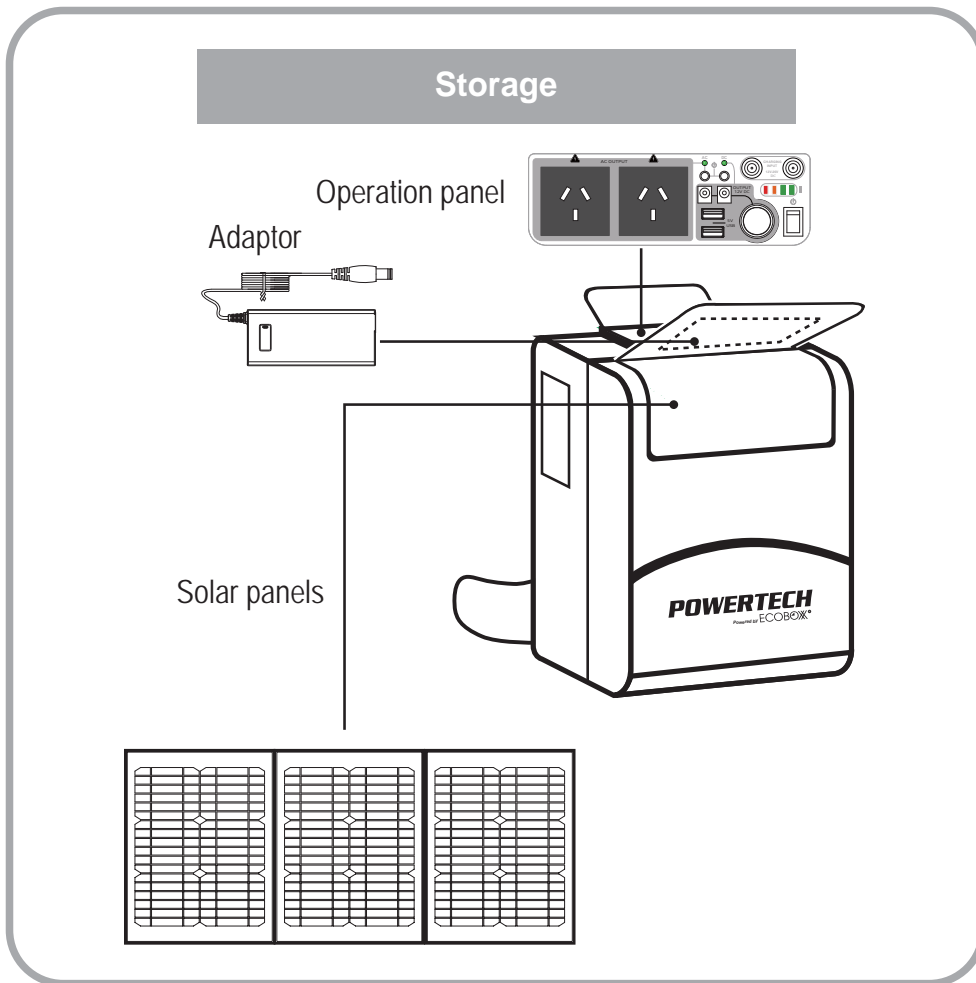
- 
  - Please always turn the Master Switch ON to enable the power output function.
- 
  - Please always turn the Master Switch OFF after use and to extend the battery running time. The unit can be not be charged if the master switch is turned OFF.

### 2.3 Parts / Accessories

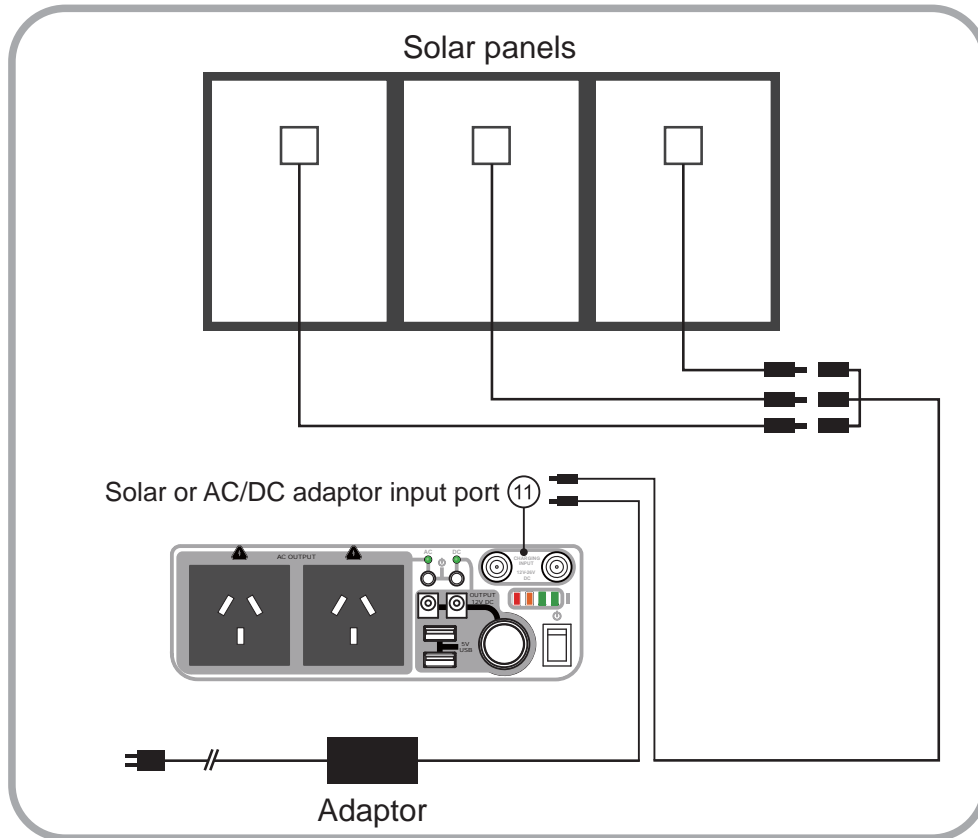


Item	Description	Qty
A	POWER UNIT	1
B	15.3V/3A, AC/DC Adaptor	1
C	3 in 1 solar panels connection cable	1
D	10W solar panels with input cable	3

**\* All accessory photos and list above are only references. The final items included are subject to change by regional requirements.**



### 3.0 Charging MB3742



#### 3.1 Charge from AC/DC Adaptor

Plug the AC/DC Adaptor provided into both the wall and the DC charging port on the unit. The battery level indicator will flash to confirm the charging process is underway.



- While charging, the AC/DC Adaptor will get warm. This is normal.



- Please make sure that you only use the standard adaptor supplied with the unit as it provided a constant current with a charging power limit of 15.3V/3A.

#### 3.2 Charge from Solar Panel

MB3742 will charge with three 10 Watt solar panels when connected to the charging port. Please refer to the connection diagram above.



## **CAUTION!**

Please charge the unit when the red LED battery level indicator is flashing, otherwise the unit will be in low voltage protection and all the outputs will be cut off automatically.

### **4.0 Power Output**

#### **4.1 USB Socket**

MB3742 provides two sockets for 5VDC USB power output, it supports the maximum current of 2.1A.

#### **4.2 5.5mm DC Jack Socket**

MB3742 includes two 5.5mm DC Jack Socket, which provides 12VDC/4A output and charge 12V DC devices.

#### **4.3 Cigarette Lighter Socket**

The Cigarette Lighter Socket provides 12VDC/10A output to power to charge 12V DC devices.

#### **4.3 AC Socket**

Two AC Sockets provide 230V /50HZ output to support AC devices with max.300 Watts of continuous consumption.



## **CAUTION!**

The product carries high voltage AC output.

Short circuit of the battery and AC sockets should not be used under any circumstance.


This operation may damage the battery and cause a fire hazard.



## 5.0 LED Indications

### 5.1 Charging and Battery Level indication


The Battery Level Indicator presented in 4 different levels to identify the battery's capacity.



- 75%~100%
- 50%~75%
- 25%~50%
- 0%~25% (flashing—0%, and automatically shut down when Battery Voltage is lower than 9V)



- If the Battery Level Indicator flashing this means that charging is underway. The chart below shows the various battery levels from empty to the full.

	Green	100%	All LEDs on
	Green	75%-100%	Red on, Orange on, Green on, last Green flashing
	Orange	50%-75%	Red on, Orange on, Green flashing
	Red	25%-50%	Red on, Orange flashing
		0%-25%	Red flashing



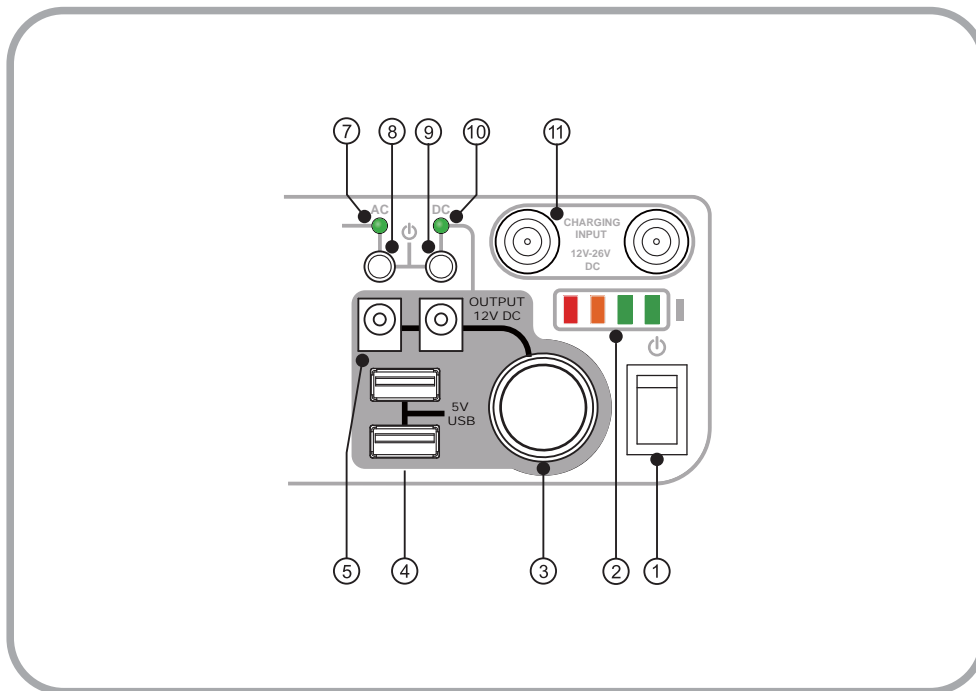
### **CAUTION!**

Please charge the unit when the red LED battery level indicator is flashing, otherwise the unit will be in low voltage protection and all the outputs are cut off automatically.

## 5.2 DC Output Indication

Press the DC output switch to activate the DC power of 12V DC and 5V USB output, LED will turn to Green and power output is now ready.

When the output is in overcurrent mode, the LED will flash in red.



## 5.3 AC Output Indication

Press the AC output switch to activate the AC power output.

The LED will turn to Green and the power outputs are now ready for use.

When the output is in overcurrent mode, the LED will flash in red.

## 6.0 Technical Specifications

Description	Specification	Unit
Solar input range	16-26	V
Max input current	5	A
Adaptor input	15.3V,3A	V, A
Battery specifications (12V,lead acid)	24	AH
Standby current	10	mA
Min. charging voltage	6	VDC
Max. charging voltage	14.4	VDC
Low battery protection	10.5	VDC
Recovery battery voltage	10.5	VDC
DC 5.5mm socket X 2 output	12V, 4A Max.	V, A
DC 5.5mm socket X 2 overload protection	4~8	A
Cig. Socket x 1 output	12V,10A Max	V, A
USB x 2 output	5V, 2.1Max.	V, A
AC inverter	230V/50HZ,300W	
Solar Panel (Mono crystalline)	30W, 18V	W, V
Dimension of Main unit( L x W x H )	342X205X430	mm
Weight of Main Unit (without panels)	18	kg

Specifications are subject to change without prior notice



Distributed by:  
Techbrands by Electus Distribution Pty. Ltd.  
320 Victoria Road, Rydalmere  
NSW 2116 Australia  
Ph: 1300 738 555  
Int'l: +61 2 8832 3200  
Fax: 1300 738 500  
[www.techbrands.com](http://www.techbrands.com)