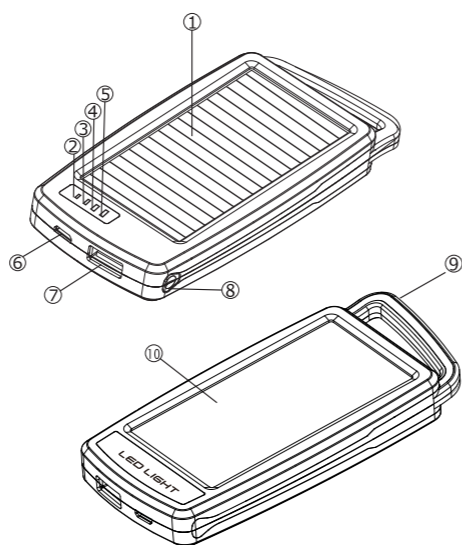
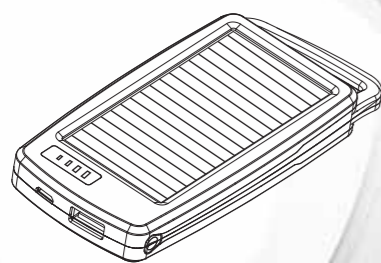


## Mobile Solar Charger With LED Light Panel



- ① Solar Panel
- ② LED1
- ③ LED2
- ④ LED3
- ⑤ LED4
- ⑥ Micro-USB(INPUT)
- ⑦ USB-A(OUTPUT)
- ⑧ Button
- ⑨ Hook
- ⑩ Light Panel

.1.

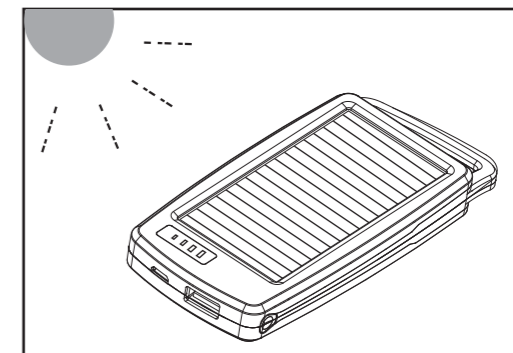
### Electrical Characteristics:

- 1.Solar panel: 0.44W
- 2.Li-ion battery: 3.7WH
- 3.USB charging cable: 5.0V 500mA
- 4.DC Output: 5.0V±5% 500mA
- 5.Charging time for mobile phone: 1-1.5 hours
- 6.Charging mode for internal Lithium battery by USB port : advanced charge management features internal circuitry for Li-ion battery constant voltage safety.

.2.

### Product Features:

- 1.You can charge from sunlight via the solar panel or use our supplied cable to charge the internal Li-ion battery by computer
- 2.Adaptors for major brand phones such as Nokia,Sony-Ericsson, Samsung, Siemens and Motorola are provided.
- 3.This appliance can also provide power to other digital devices such as Digital Cameras, PDA and Portable DVD players.
- 4.With 4 LEDs to show charging condition or remaining power
- 5.Can works as portable camping light or wall lamp, just push button 2~3 seconds to turn on/off the light.
- 6.Efficiency:>80%



.3.

### Operating Instructions

#### 1.Charging via Solar panel:

Ensure the solar panel is facing the sun (LED1 will be Red which confirms the internal battery is charging)

#### 2.Charging by using the USB cable:

Connect the charger and PC by the USB charging cable, the LED1,LED2,LED3,LED4 will turn on blue one by one during the charging. When all 4 leds are lighting , it means the device is fully charged

#### 3.Charging your digital devices

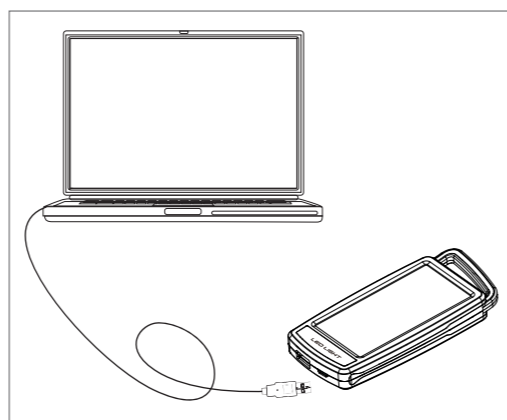
Select a correct connector for your device, and connect the charger and device by output cable for charging. When it is fully charged the device, please pull out the cable from the charger, LED1 will turn off .

.4.

#### 4.Remaining power:

press the centre Button quickly:

- A.Only LED1 turns on blue = 10%-25% power available.
  - B.LED1 and LED2 turn on blue = 26%-50% power available.
  - C.LED1 and LED2 and LED3 turn on blue = 51%-75% power available.
  - D.All LEDS turn on blue = 76%-100% power available.
- LEDS will turn off after few seconds.



.5.

### Warning:

1. Keep the device away from fire, water and moist places in order to avoid explosion, leakage, moisture;
2. Any severe shock to the charger is not recommended;
3. No one except professional technicians should attempt to disassemble the charger in order to avoid damaging the charger;

### Special Note:

1. Please fully charge device before first use;
2. Please perform full charge and discharge of the charger at least once a month;
3. If sunlight conditions are not ideal charging time will take longer than the advertised time, this is normal for solar devices.

.6.

编号: SBC-18-A  
 折叠尺寸: 85\*136MM,  
 材质: 普通书写纸, 黑白印刷