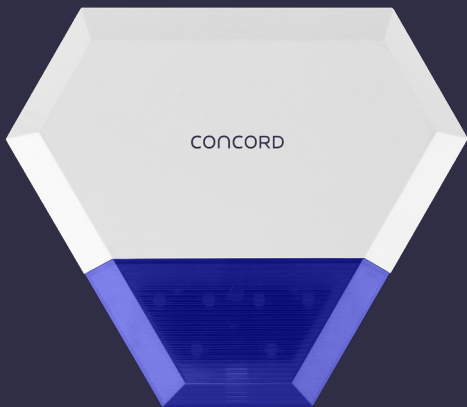


**CONCORD**  
CONNECTING TOGETHER



LA5906

# Outdoor Siren

for A4GW50-A/LA5900 4G/Wi-Fi Alarm

# User Manual

## What's in the box

1 x Outdoor Siren  
1 x Power Supply  
Mounting Hardware

## Powering up and Connect the Siren with Alarm Panel

Please ensure the outdoor siren has been paired with the alarm panel prior to mounting the siren outdoors.

### a. Power up the Siren as follows:

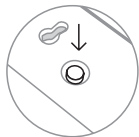
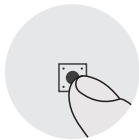
Insert power adapter's barrel plug to adapter socket, and press the blue power button to switch the siren on. The siren will make a beeping sound when it is on.



### b. Connect the Siren with Alarm Panel

Press the "Enroll Button" on the siren, the status LED lights on, the siren emits a single short beep, it enters Enroll Mode. The siren will remain in Enroll Mode for 20 seconds.

Arm the alarm panel or press the tamper switch on the alarm panel once to activate a signal from the alarm panel, the siren status LED flashes once, the siren will produce one short beep to confirmed learned.



**Note!** Do not trigger any other sensors during linking the alarm panel with the siren.

- Press the "Enroll Button" on the siren again to exit the Enroll Mode.
- Disarm the alarm system by using the remote control or keypad to stop the alarm sound.

Note! The siren will produce two short beeps if the alarm panel is already linked to the siren. As the siren acts as repeater to the alarm panel, it does not appear in the Accessories menu on the app.

### c. Testing if the enrollment is successful



Trigger the SOS on the remote control/alarm panel, or the tamper switch on alarm panel, see if both siren and alarm panel sound. If so, then enrollment is successful. If not, follow the above steps and try it again.

## Deleting All Devices From the Siren

Press and hold the enroll button until one beep is heard, all enrolled devices will be cleared.



## Installation

Fit the Siren to the outside of the building in a position that is clearly visible and at a height which is relatively inaccessible to an intruder. Mount the siren at a minimum distance of 1 meter away from any external or internal metalwork (drainpipes, gutters, radiators etc.) The siren alarm should be in installation mode and perform a placement test should be done before the installment.

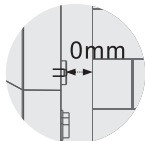
## Service Mode

For ease of installation, users should adjust the siren to service mode by pressing disarm button on alarm panel for 3 times. Siren enters the service mode after the installation LED flashes rapidly. Any accessories triggered or tamper switch activated will not cause the alarming.

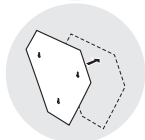
Perform a placement test to ensure there is sufficient signal strength at the desired mounting location for proper communication between security panel and the siren.

## Installation Steps

1. The wall tamper switch must remain closed when the outdoor siren is mounted.



2. Mark the correct screw positions onto the wall by using the supplied screw template.



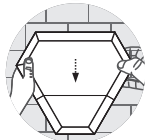
3. Using the screw template, drill the screws into the wall.



4. Connect the siren to a main power supply using the charging adapter provided.



5. Finish mounting by fixing the siren on to the screws and position into place.

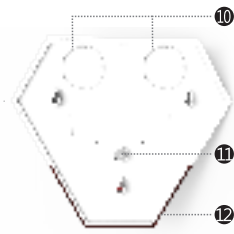
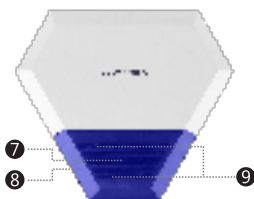
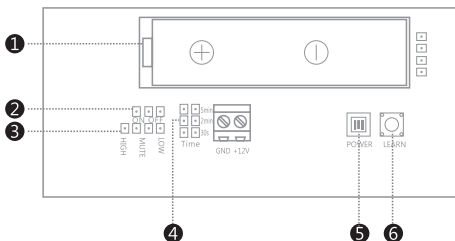


After installation, users should disarm the siren again by using remote control or on alarm panel to switch out of Service Mode to the Operating Mode.

### Tips:

1. Do not heat or drop the Strobe Siren in case of the damage of the component inside.
2. In case of the unexceptional case, the Strobe Siren should be tested regularly, so that it can be fixed at once.

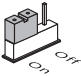
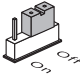
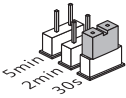
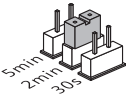
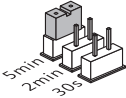
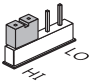
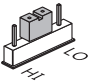
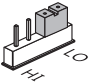
# Product Overview



1	Built-in battery
2	Arm/Disarm prompt on/off
3	Siren volume selection
4	Siren duration selection
5	On/Off switch
6	Enroll button
7	Status LED
8	Status/Alarm strobe lens
9	Alarm LED
10	Built-in siren
11	Anti-tamper switch
12	Adapter interface

# Jumper Setup

User can setup Arm/Disarm Prompt, siren alarming duration, and siren volume.

Arm/Disarm Prompt	On (Default setting)	Off	
			
Siren Alarming Duration	30s (Default setting)	2 min	5 min
			
Siren Volume	High Volume (Default setting)	Mute	Low Volume
			

## System Status

Status	Siren Sound	LED Indication
Arm/Stay Arm	1 Beep	Flashes once
Disarm	2 Beeps	Flashes once
Lower Voltage Arm	5 Beeps	Flashes once
Lower Voltage Disarm	5 Beeps	Flashes twice
Alarming	Alarming (alarming duration is setup by jumper)	Flashing
	Disarm to stop alarming	Flashing
Tamper(Whether arm or disarm)	Alarming for 30 seconds	Flashing for 30 seconds

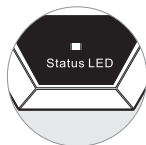
Note: There is no prompt tone when system is mute armed or disarmed by the remote control.  
The siren also muted once the control panel setup to silent alarm type while alarming.

## Status Red LED Indication

Red LED Flashes once every 2 seconds: System Armed.

Red LED Flashes once every 5 seconds: System Armed in Stay Mode.

Red LED Off: System Disarmed.



## Entry/Exit Delay

If the system is armed in Delay-Arm mode this will activate the system with a fixed several second (depend on the setting of alarm system) entry/exit delay period.

This allows a several second period for the user to exit the property after setting the system with the Remote Control. Any sensors triggered while the system is armed will not cause an alarm condition until after the period entry delay has expired. This allows time for the system to be Disarmed before an alarm sounds when re-entering the property.

# Specifications

Wireless Frequency:	433MHz
Wireless Range:	Up to 50m
Siren:	115dB
Battery Backup:	3.7V/2200mAh Lithium
Power Supply:	DC 12V, 1000mA
Dimensions:	288(W) x 250(H) x 57(D)mm



# CONCORD

[www.concordconnect.com.au](http://www.concordconnect.com.au)

Distributed by:

Electus Distribution Pty. Ltd.

46 Eastern Creek Dr, Eastern Creek NSW 2766 Australia

Ph: 1300 762 627 Fax: 1300 738 500

Made in China