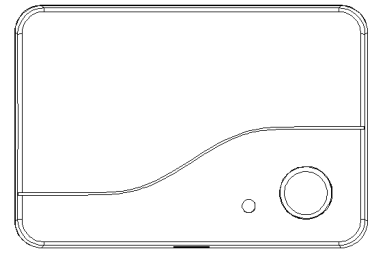


# LA5595 Wireless Low Power Switch

It enables remotely switching of any 12V DC devices, such as lamps , cameras, door strikes and garage doors etc. wirelessly via Home Automation Controller.



## Specifications

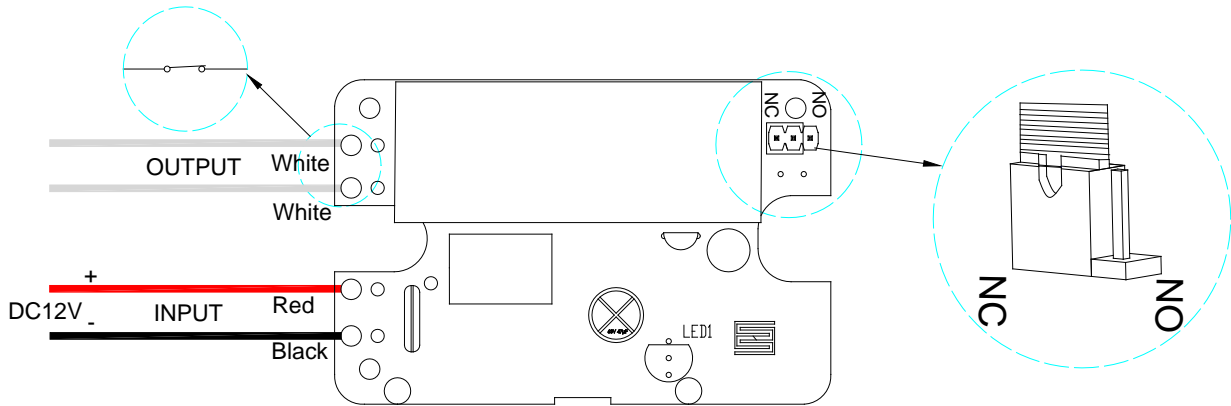
Power Supply	12V <sub>DC</sub> -200mA
Max Load	3A@12V, 2A@24V
Coverage Range	Up to100 meters (line of sight)
Dimension	Approx. 80 mm x 55mm x 30mm

## LED status indication

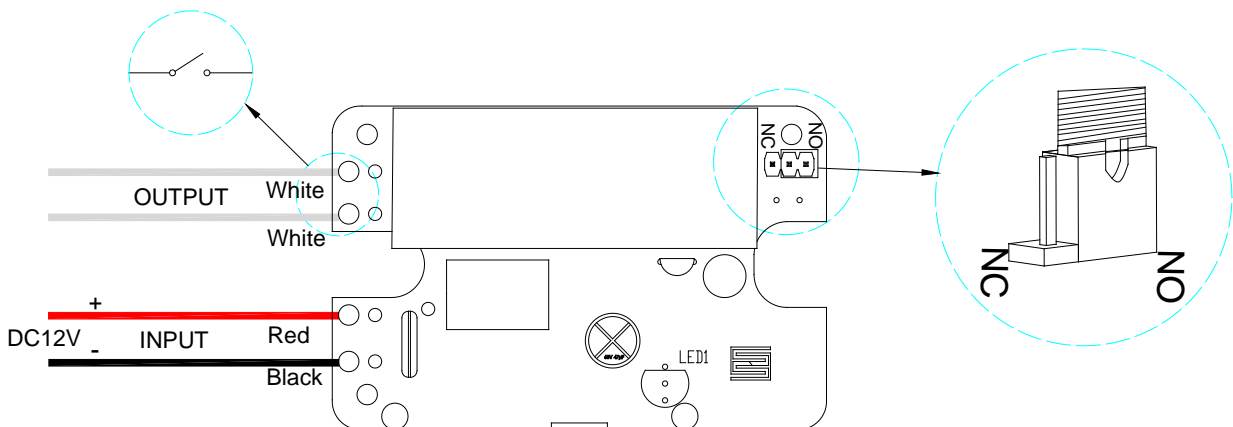
Green LED flash	Operate ok indication (clear pre-learn ID ok)
Green LED on	System work at automation mode and relay off
Red LED flash	System work at learn mode
Red LED on	System work at manual mode or relay on

## Relay output status jumper select

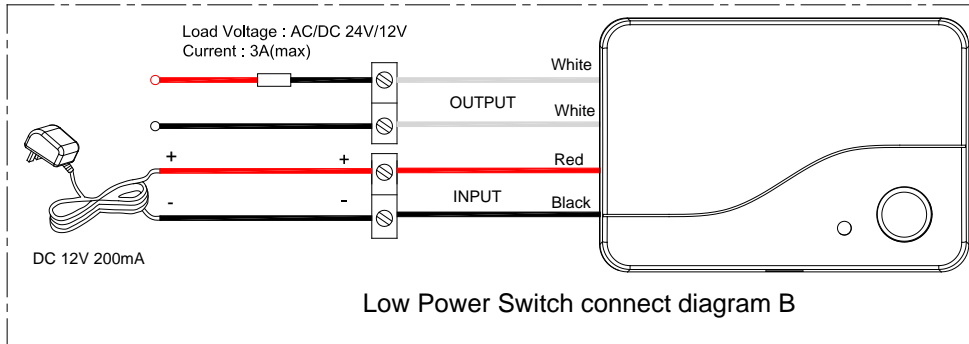
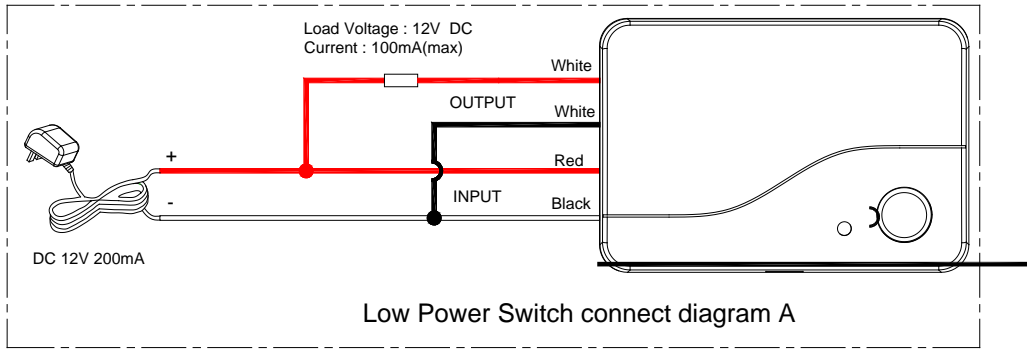
Select NC: Normal Close (Default select)



Select NO: Normal Open

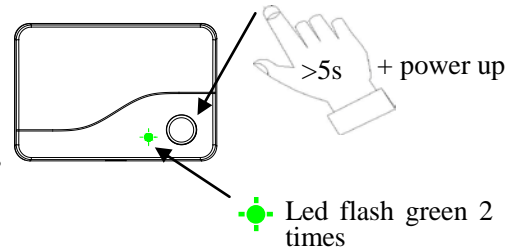


## Connect Diagram

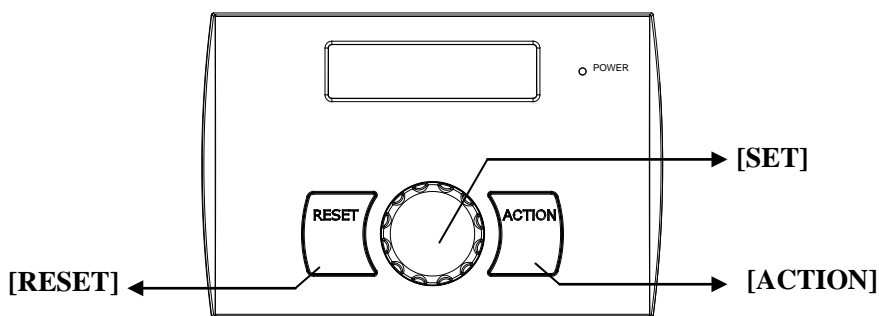


## How to clear learnt Wireless Low Power Switch

1. Power down the Low Power Switch
2. Press hold the button
3. Power up
4. Hold up the button about 5 seconds, wait for green LED flash 2 times indicate clear learn ok.



## How to learn Wireless Low Power Switch into Controller



LA5592 Home Automation Controller

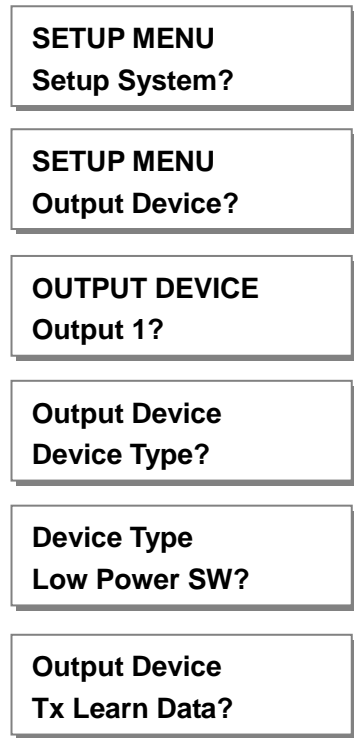
### Step1: Set home automation controller as follow:

- It is accessed directly from Day mode via press [SET] key
- Press [SET] key will go into Program Mode

08:00	01- Jan
DAY	

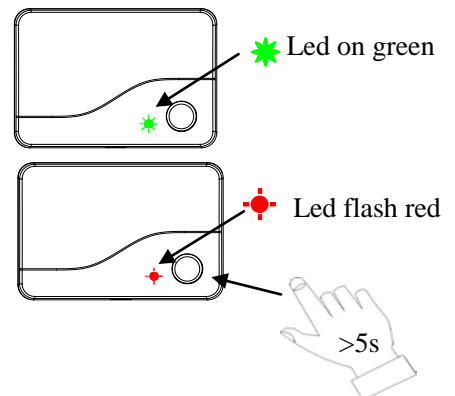
08:00	01- Jan
<b>SETUP</b>	ACT INFO

- When cursor indicate SETUP, press [SET] key will go into SETUP program mode
- Rotate [SET] key to select **Output Device?** and press [SET] key go into **Output Device** function.
- Rotate [SET] key to select **Output 1?** and press [SET] key go into setup output device 1 function.
- Rotate [SET] key to select **Device Type?** and press [SET] key go into **Output Device Type** function.
- LCD display current output device type  
Rotate [SET] key to select **Low Power SW** type,
- Press [SET] key to save it, it will exit and go to “Tx Learn Data”.  
Note: Controller transmit learn data, ID save to Output device



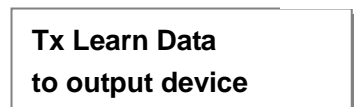
**Step2: Operate wireless Low Power Switch as follow:**

- Powering up the Low Power Switch, (Green LED is ON)
- Hold up the button about 5 seconds , power switch go into learn mode, the red led is flashing, within 15 seconds no data it will auto exit and return last time work mode, or learn ok will auto exit.

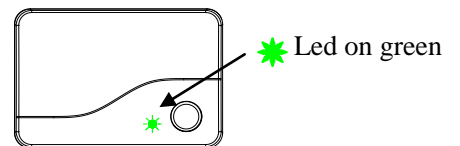


**Step3: Operate Home Automation Controller as follow:**

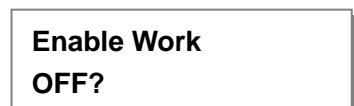
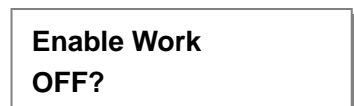
- Press [SET] key, Controller will transmit learn data to output device



Note: Low power switch learn OK will exit learn mode, ensuring the low power switch work in automation mode (Green LED is ON)



- Learn OK, to enable the output device of controller and press [SET] key go into **Enable Work** function.
- Display current Enable stauts
- Rotate [SET] key to select ON,and press [SET] key to accept, it will enable Output Device 1 work
- Set Enable Work/ OFF, Controller will can't action the output device



- System generate an have OK tone, it will exit and go into next Output Device

**OUTPUT DEVICE**  
Output 2?

## How to test Wireless Low Power Switch via controller

- It is accessed directly from Day mode via press [SET] key

08:00 01- Jan  
DAY

- Press [SET] key will go into Program Mode

08:00 01- Jan  
**SETUP** ACT INFO

- Rotate [SET] key to select **INFO** ?

08:00 01- Jan  
SETUP ACT **INFO**

- When cursor indicate INFO, press [SET] key will go into view information mode

**INFO MENU**  
View Log?

- Rotate [SET] key to select **Test System?**

**INFO MENU**  
Test System?

- Press [SET] key to go into **Test System** function

**TEST SYSTEM**  
Speaker Test?

- Rotate [SET] key to select **Out\_Deviec Test?**

**TEST SYSTEM**  
Out\_Device Test?

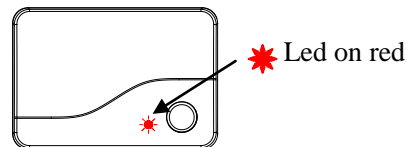
- press [SET] key go into test output device function. and rotate [SET] key to select will test device

**Out\_Device Test**  
001:Output 1?

- Press [SET] key to accept and the toggle test outputs ON

001:Output 1  
ON, Press any key

- The low power switch is open, Relay is ON, red led on.



- Press any key stop output and it will go into next output device

**Out\_Device Test**  
002:Output 2?

- The low power switch is close, Relay is Off, green led on.

