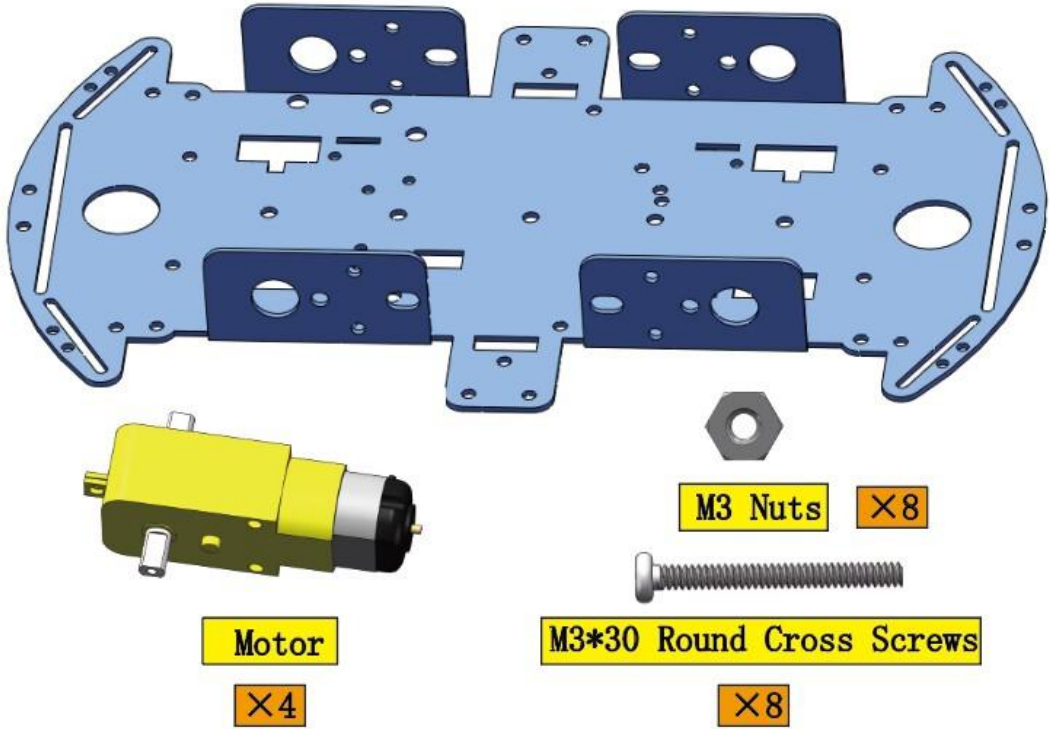
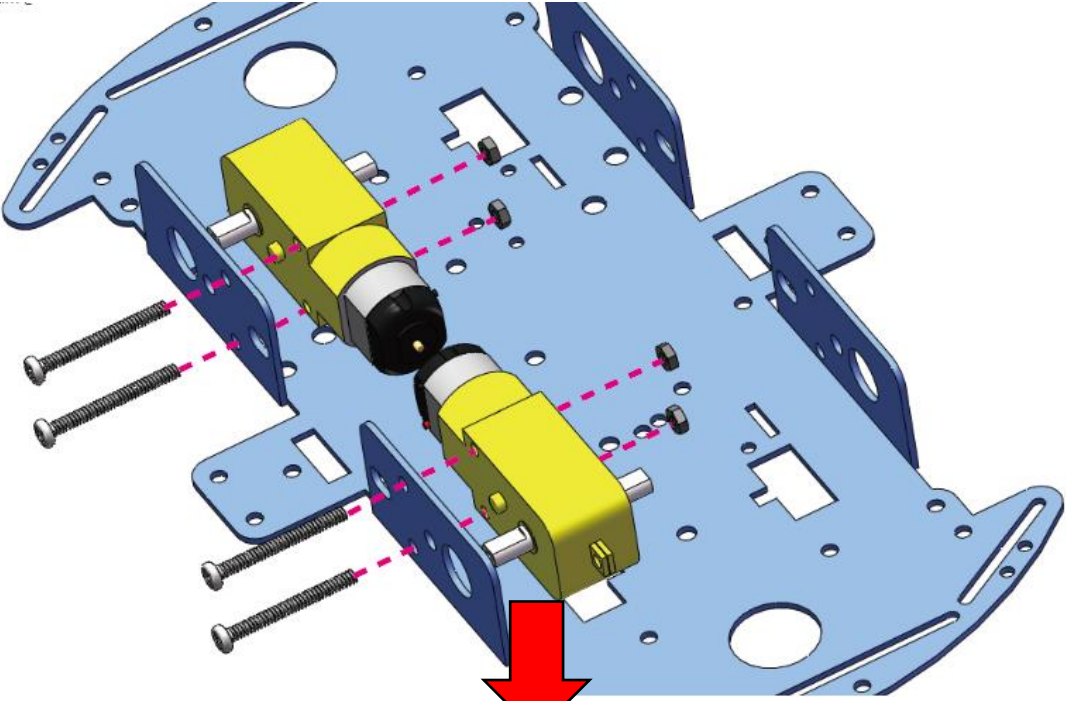
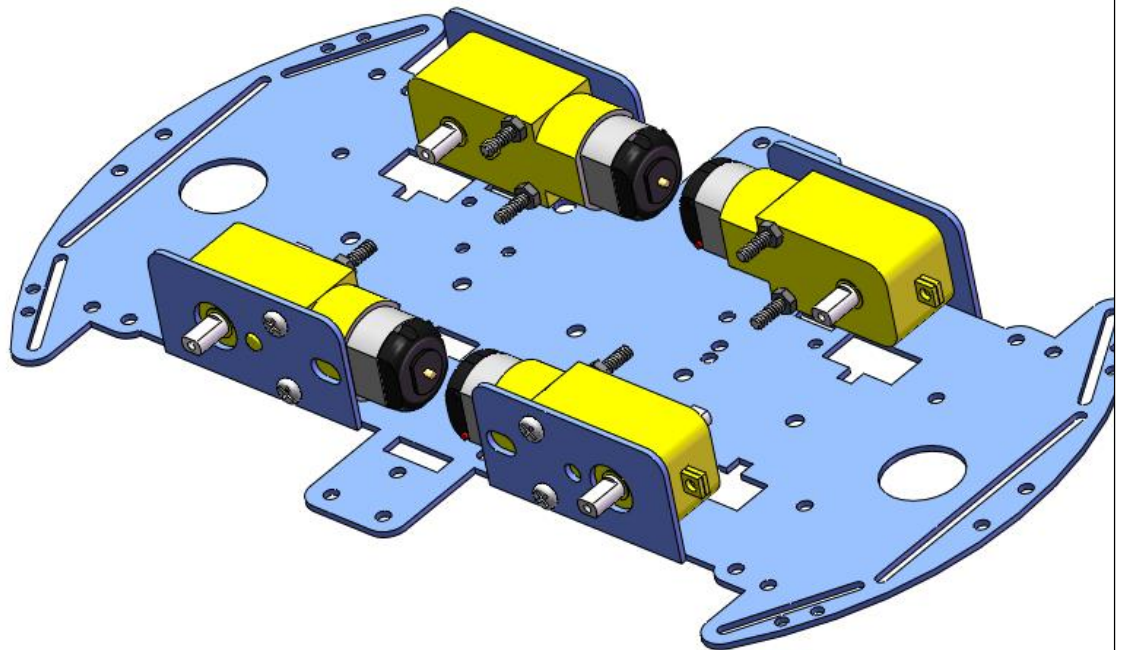
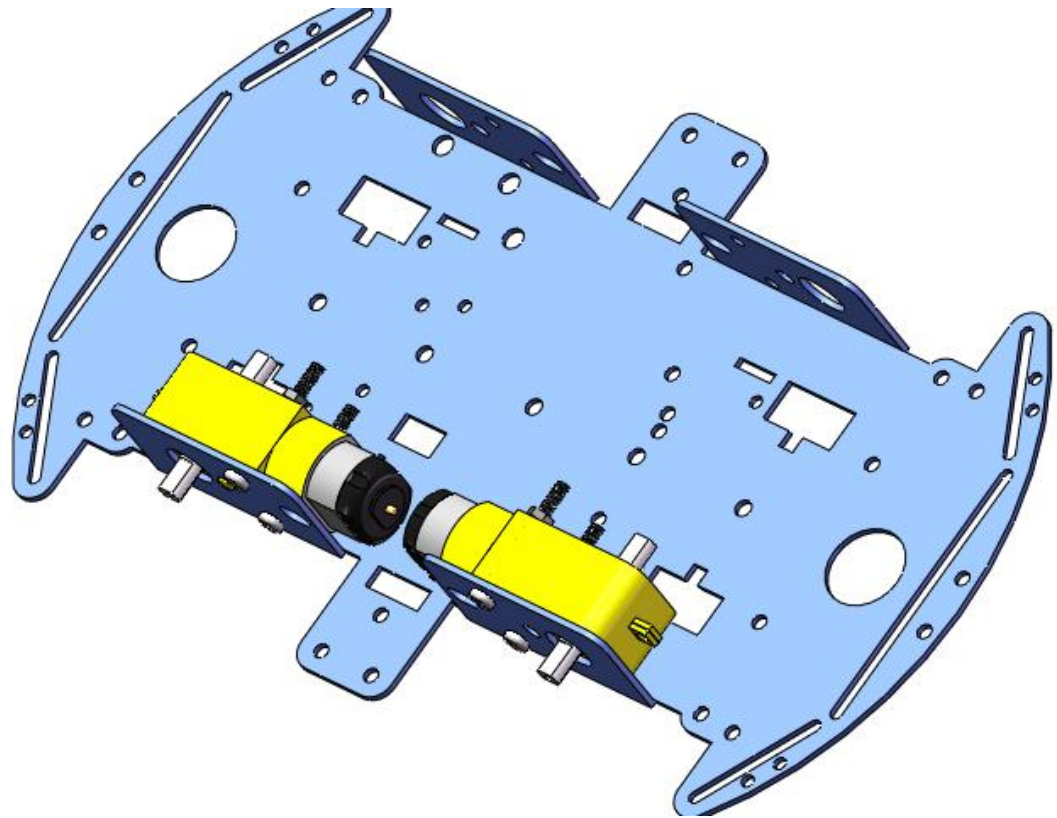
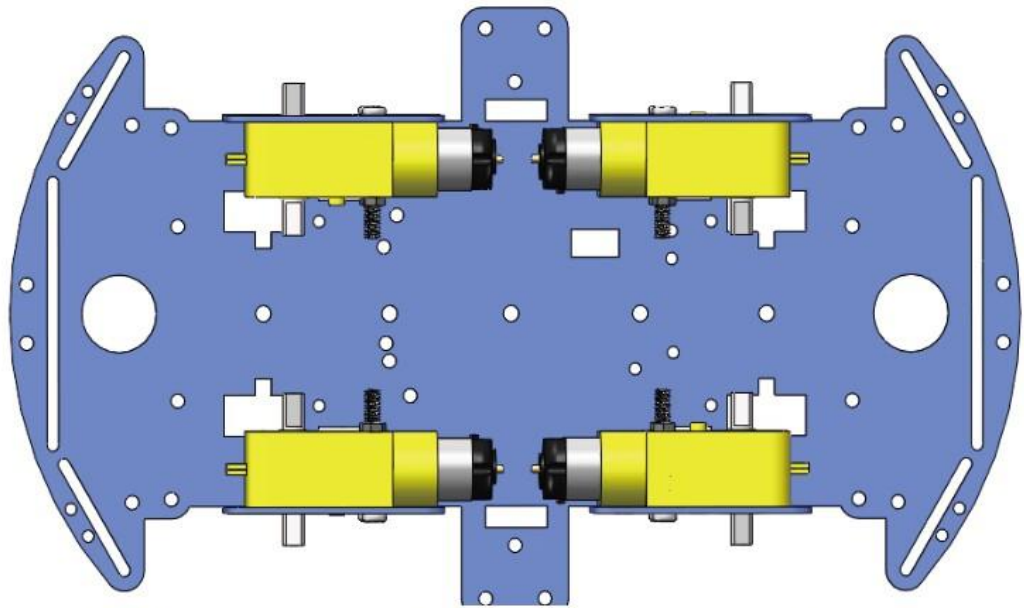


# KR3168 INSTALLATION GUIDE

<p>Parts</p>	 <p>Motor ×4</p> <p>M3 Nuts ×8</p> <p>M3*30 Round Cross Screws ×8</p>
<p>procedure</p>	



# Parts



Mecanum wheel A

×2



Mecanum wheel B

×2



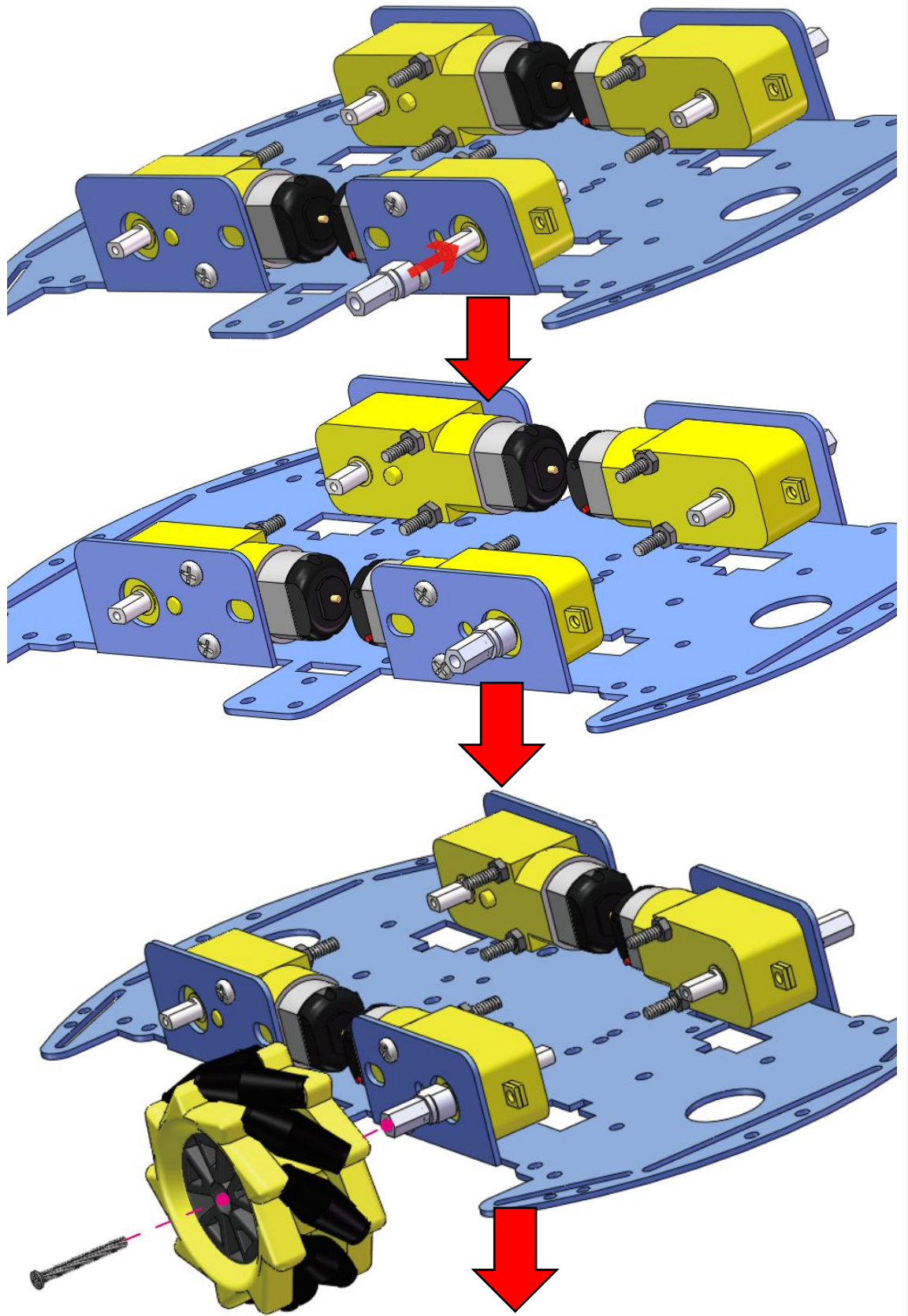
TT coupling

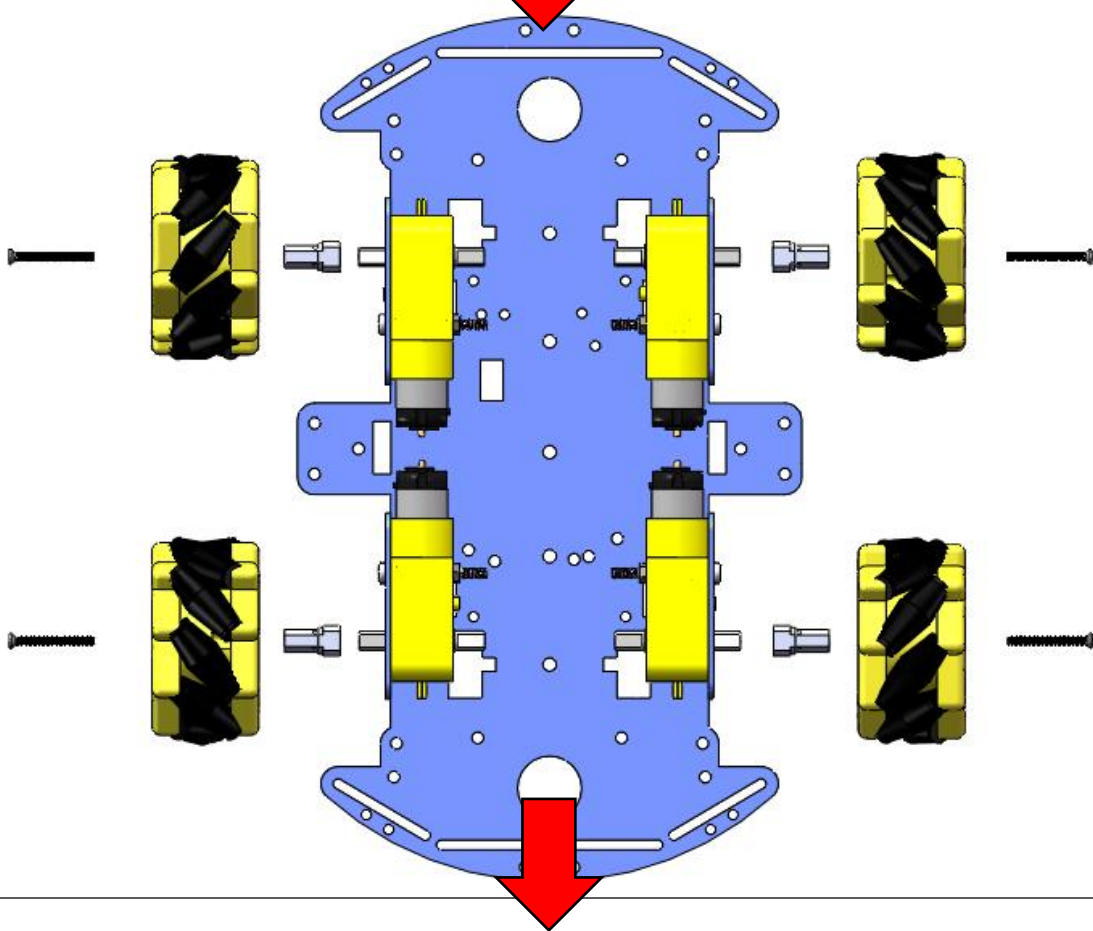
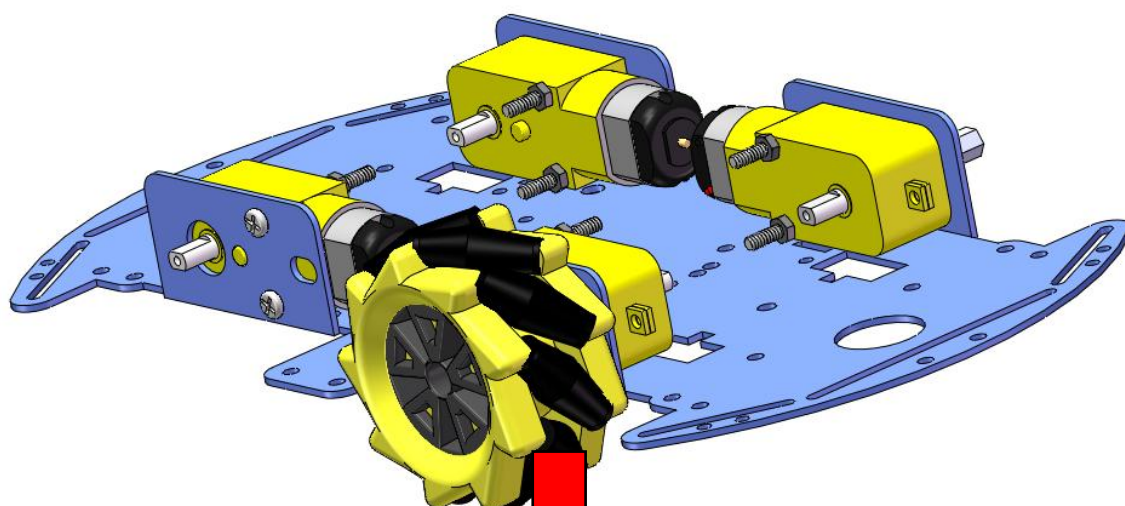
×4

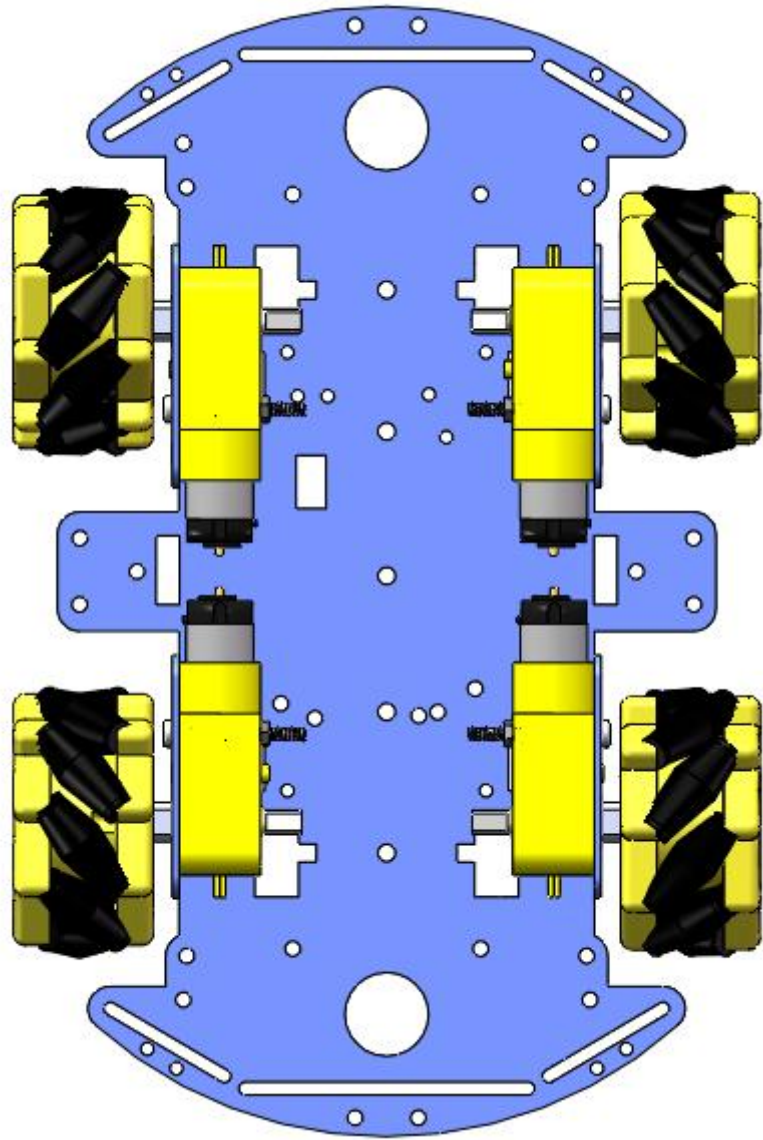


M2.5\*20 Round Cross Screws

×4







End

