

Magic Cello

MECHANICAL MUSIC BOX

ROKR

AMK63

WARNING:

- The product is for people who include and over 14 years old. Kids should assemble under the guidance of adults.
- The instruction book contains important information. Please keep it well for later use.

MAINTENANCE:

- Keep the product away from the source of ignition and water to prevent any damage.
- Don't use chemical reagents like alcohol, ammonia water to clean the product.
- Use clean and soft fabric to clean the product if necessary.

ATTENTION TO THE MOVEMENT:

- The movement is precise, please do not drop or collide it.
- Do not apply too much force when winding up.
- Do not touch the movement roller with your fingers to avoid finger injury.

Email: service@robotime.com

- Special attention in assembly
- Ensure the connection of gears smoothly
- Wax the gray parts
- Flip to assemble
- Ensure the parts running smoothly

- Printed side
- Blank side
- Step 1
- Step 2
- Step 3
- Step 4



ROKR Facebook



store.robotime.com

1

Printed side

Blank side

Distinguish the side A from side B of the auxiliary tool.

2

P13 x1 30mm 1:1

Insert P13 and P11 into the hole (11mm) of the Side B.

Side B

Press P13 to the end with the tool F3.

Wax the gray parts

Assemble the shaft sleeve and check if gears can rotate smoothly.

Insert it into the hole (4mm) of the Side A.

Side A

As shown in the figure, assemble P11 one by one according to the number sequence in the figure for easier assembly.

Side B

Do not remove it after assembling E17.

Insert it into the hole (9mm) of the Side B.

Side B

Pay attention the direction of A24x2.

Before assembling these parts, rotate the gear to the shown direction to assemble E17 easily.

Assemble E5 to the shown position.

The protrusions of A21 face inwards.

Ensure the connection of gears smoothly.

When assembling E6, engage two gear teeth marked by "△" of E6 and E7 together.

3

P5 x4 5mm 1:1

Suggest to use the small screwdriver P16.

C10 is fragile. Take it from the board carefully.

4

P5 x2 5mm 1:1

Note that the pattern of C2 and O10 coincide completely.

When assembling A5, the position indicated by the arrow is the pressing force application point.

Remove A5 from the part. A5 has spare parts.

Ensure the connection of parts running smoothly.

Remove P17 from the part.

Ensure the connection of parts running smoothly.

The position indicated by the arrow is the pressing force application point.

5

P12 x1 25mm 1:1

Align with corresponding holes.

6

P7 x3 25mm 1:1

Tighten screws vertically.

Suggest to use the big screwdriver P16.

Assemble C9.

Blank side

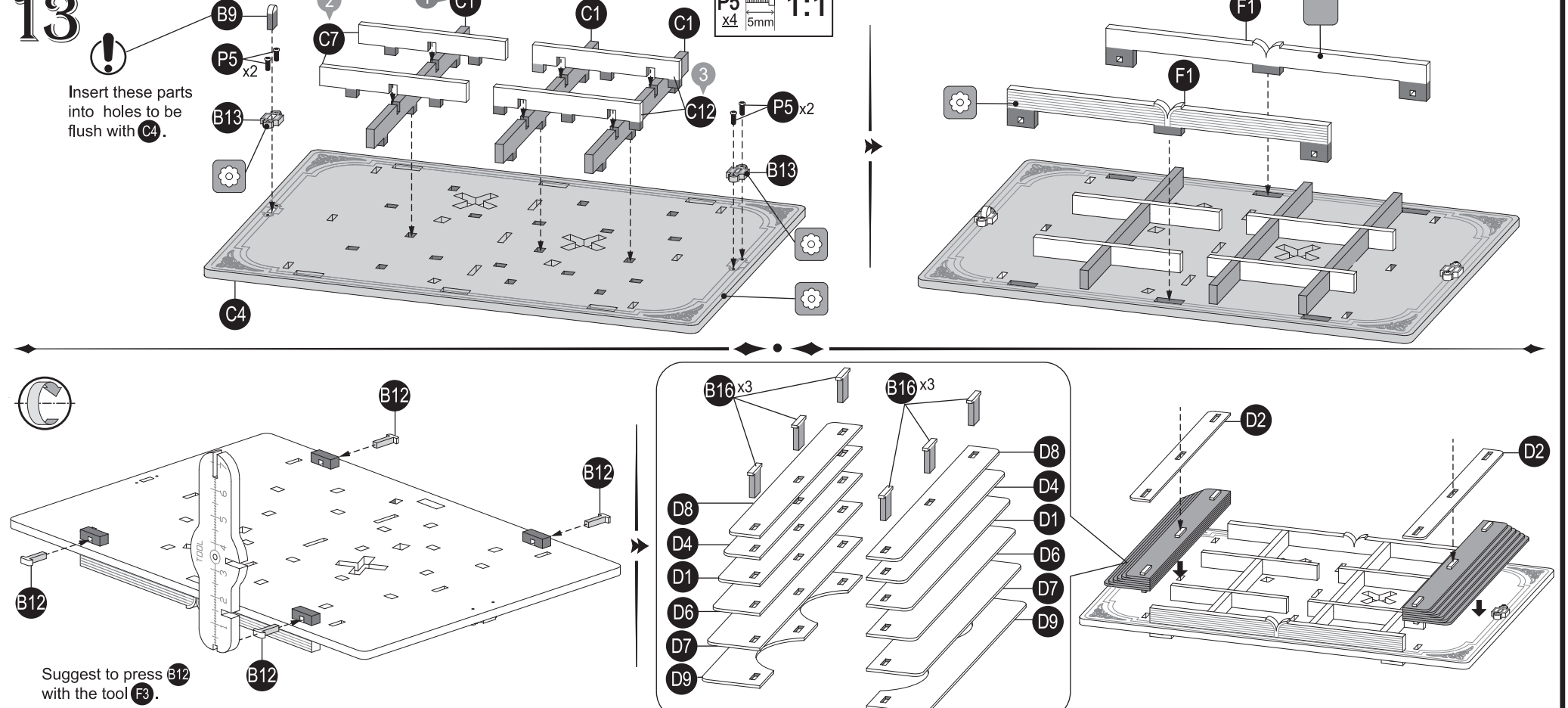
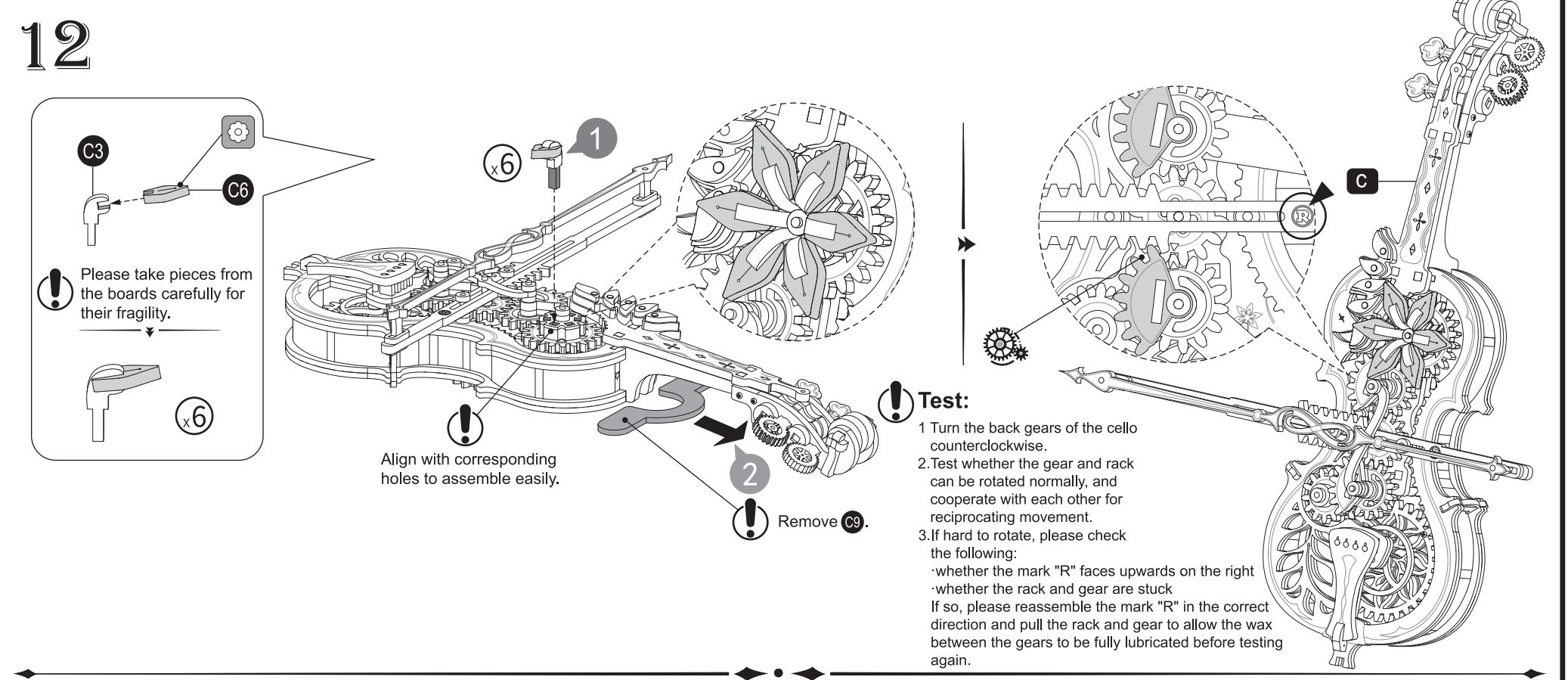
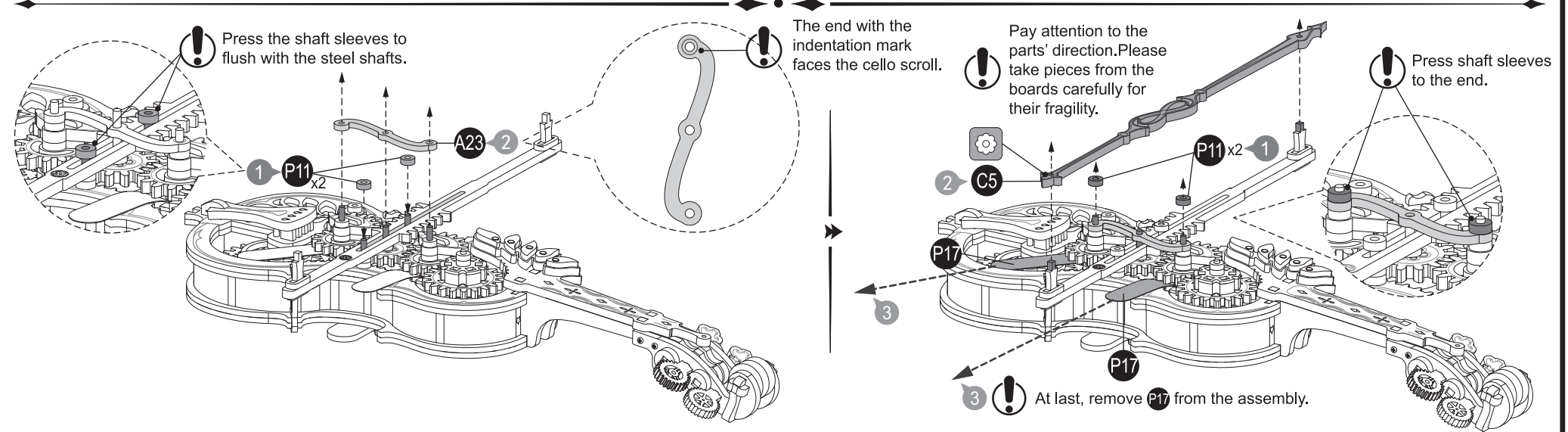
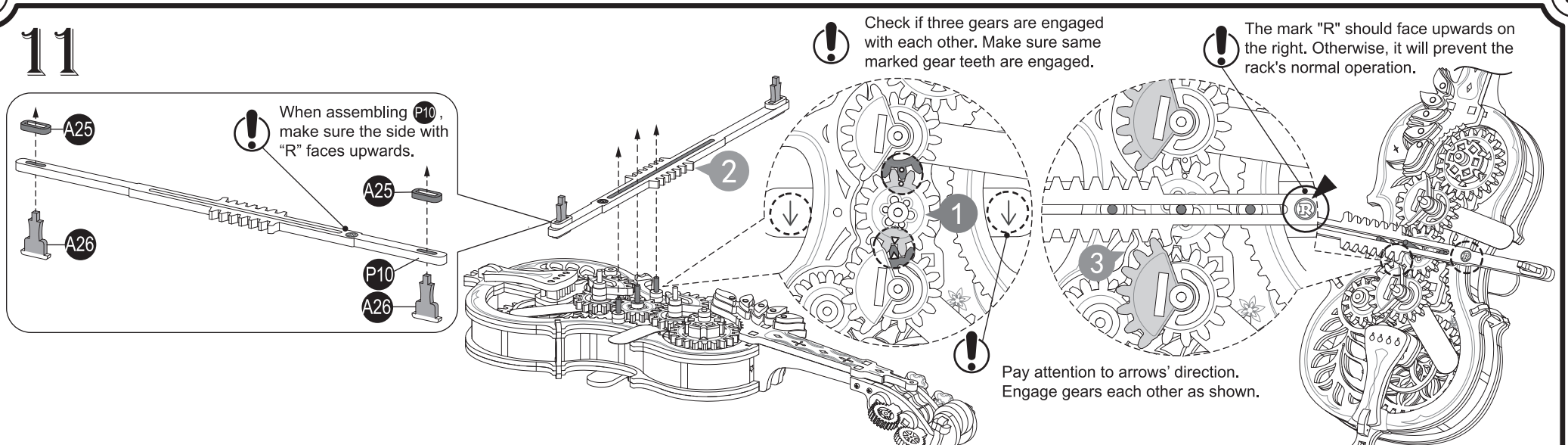
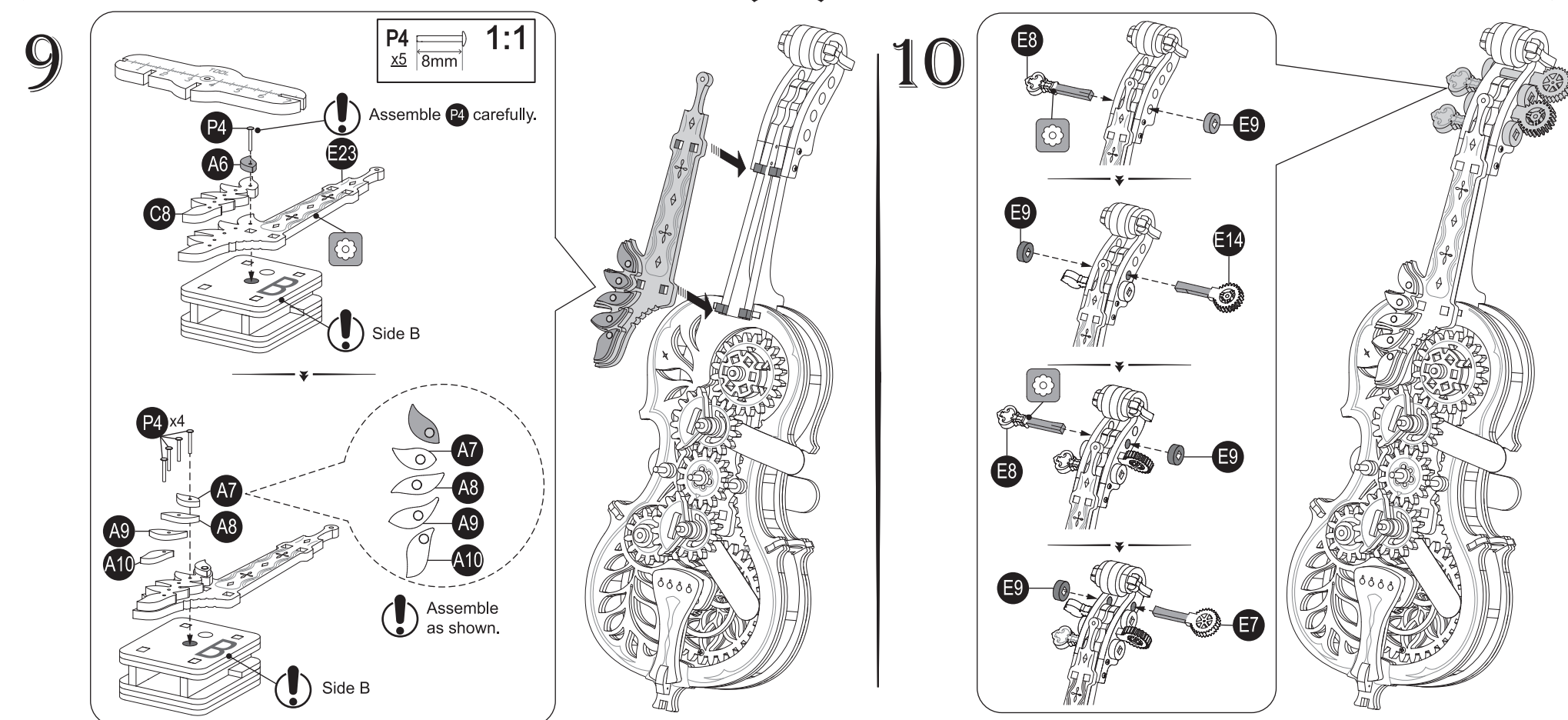
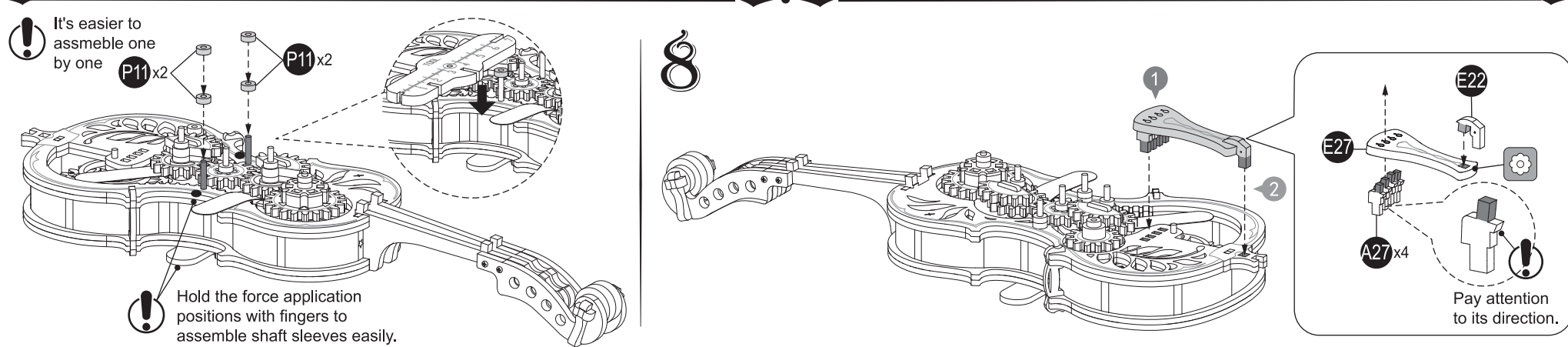
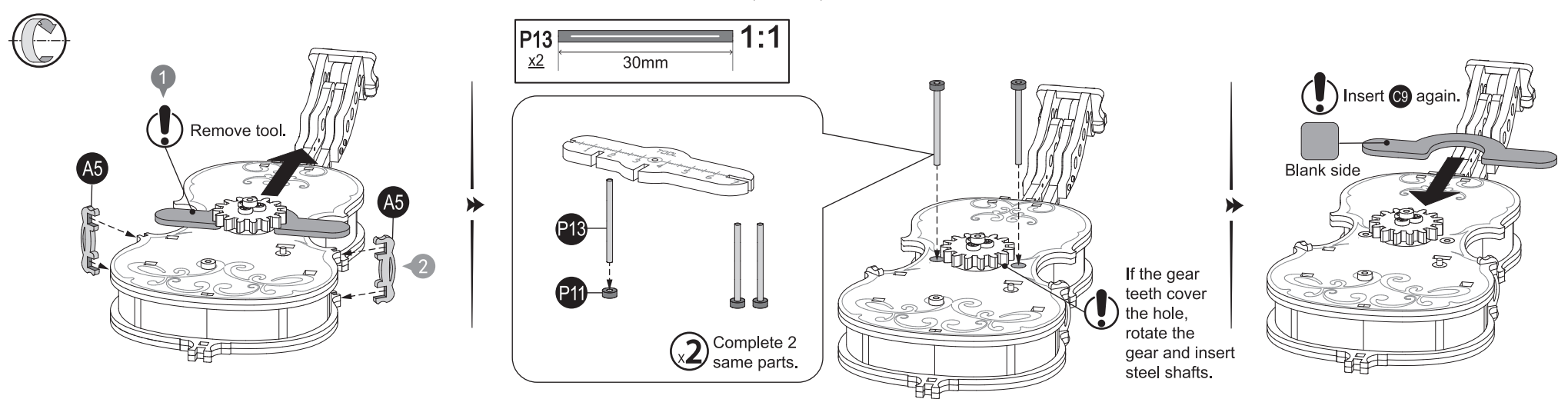
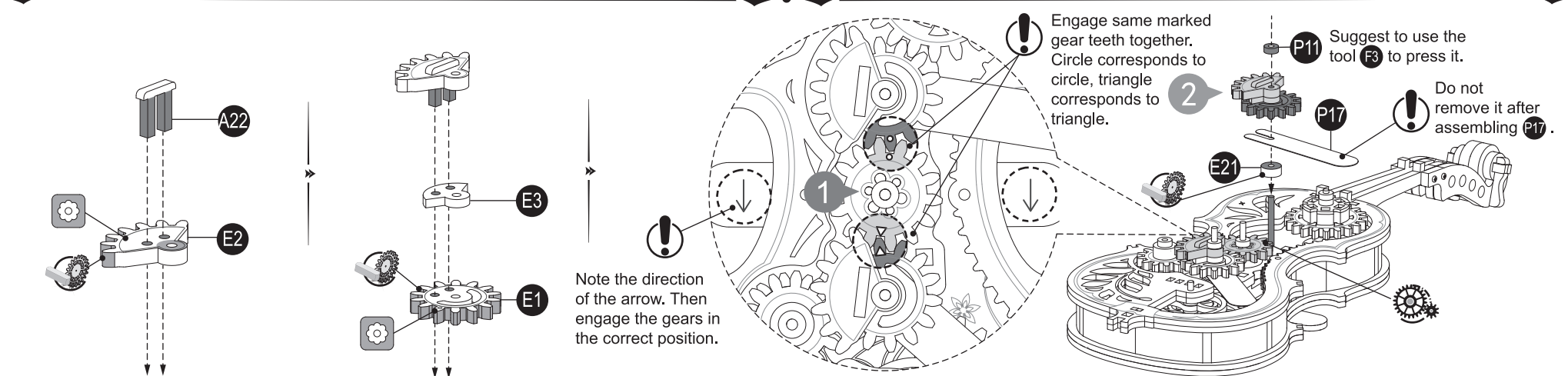
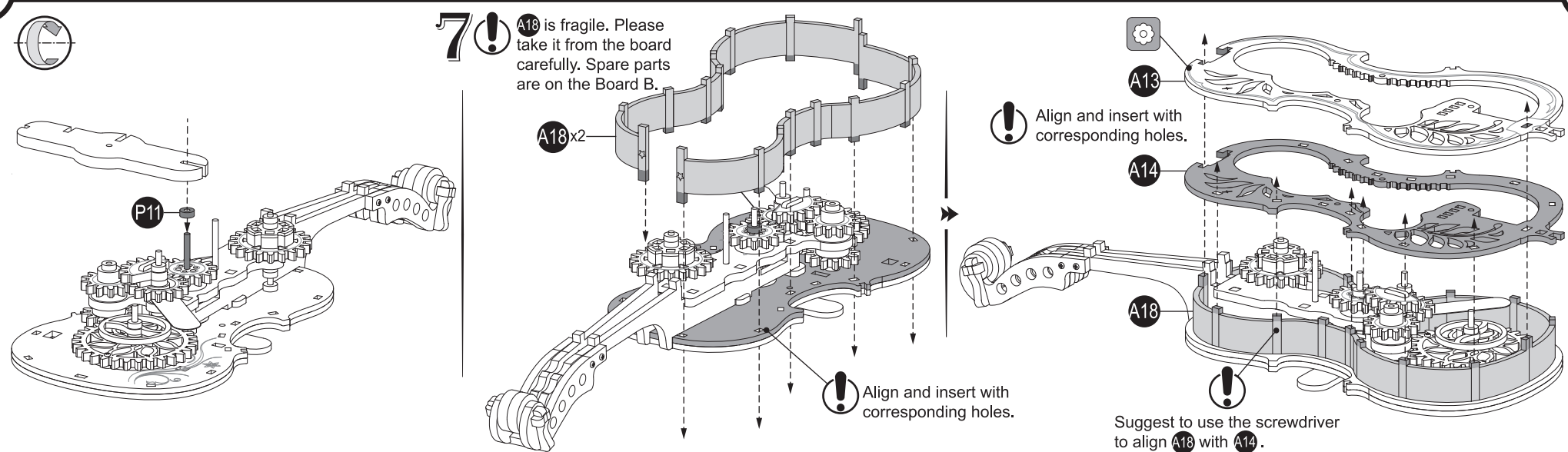
Side A

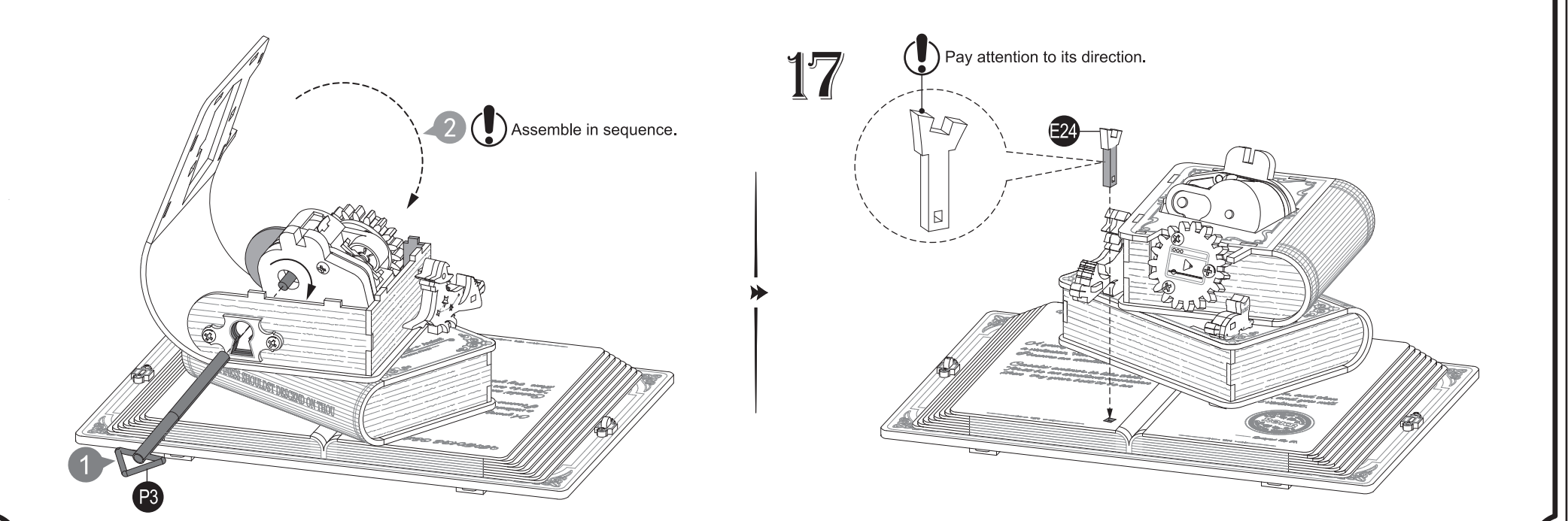
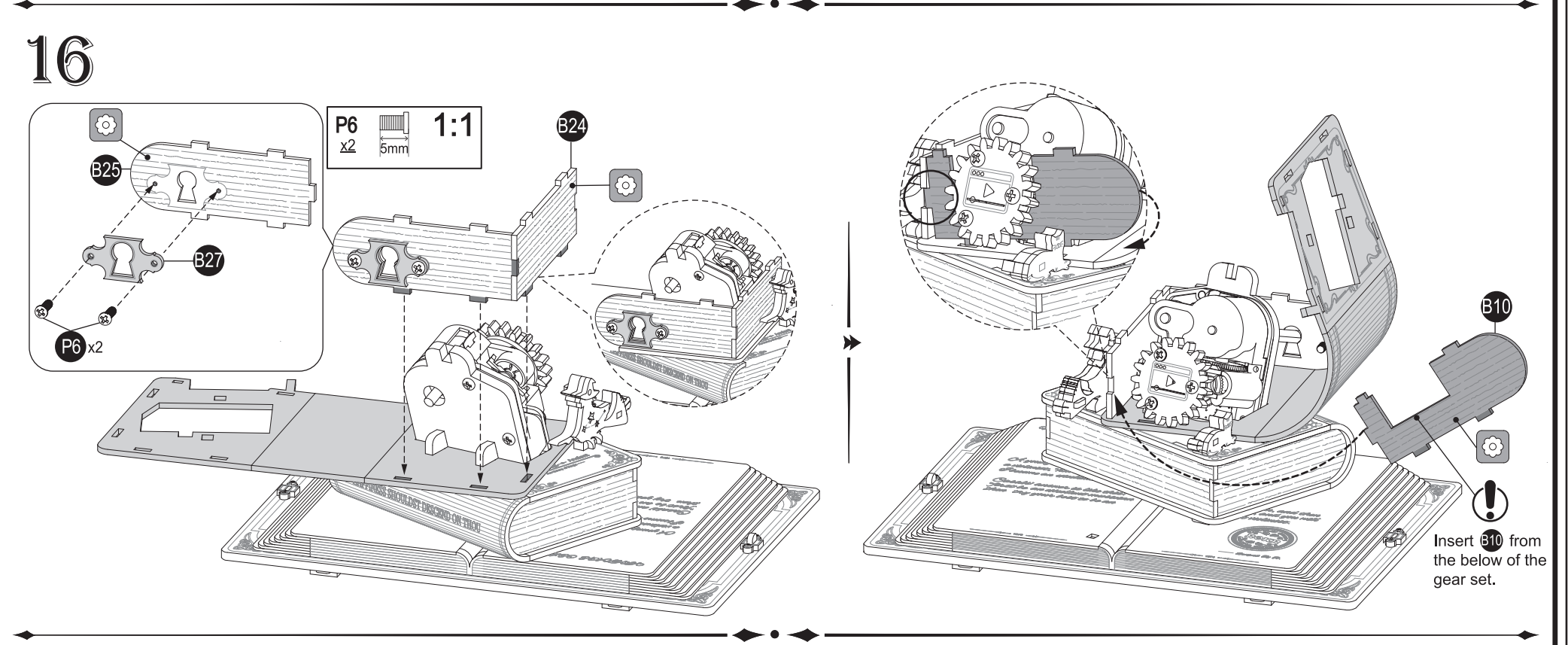
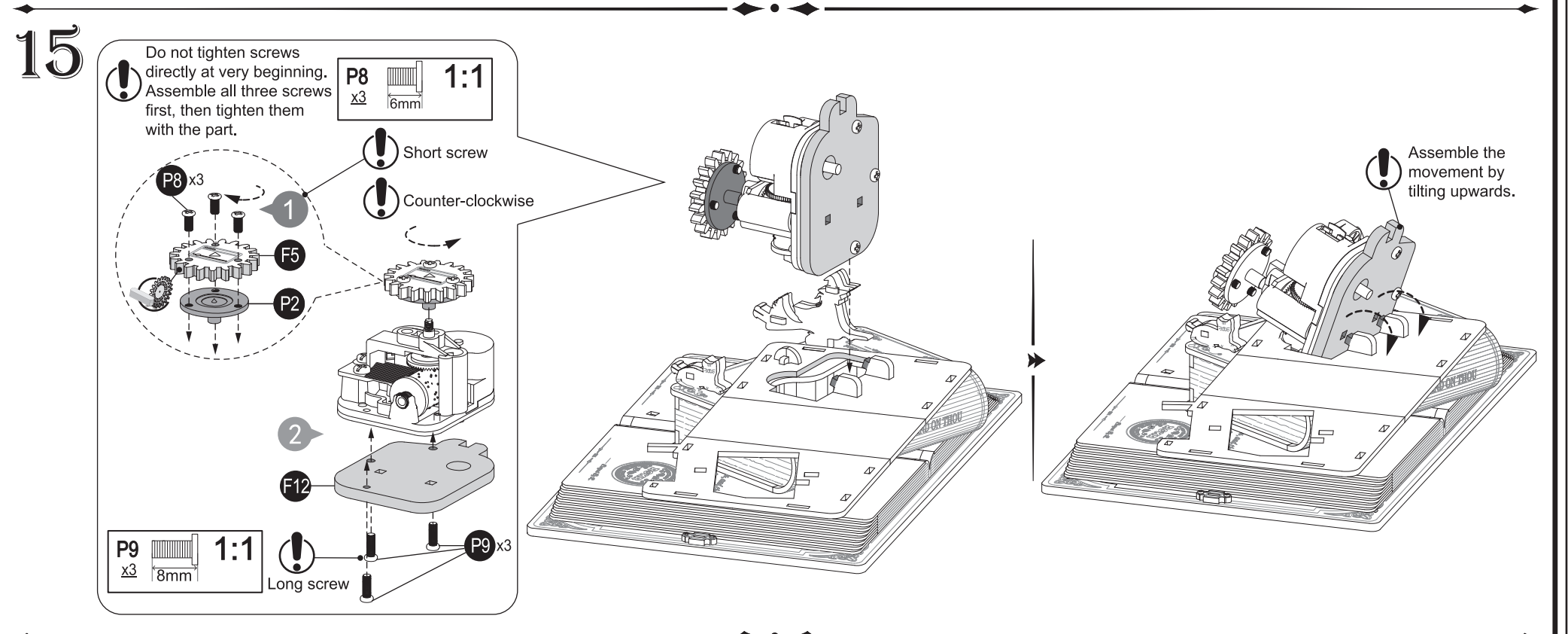
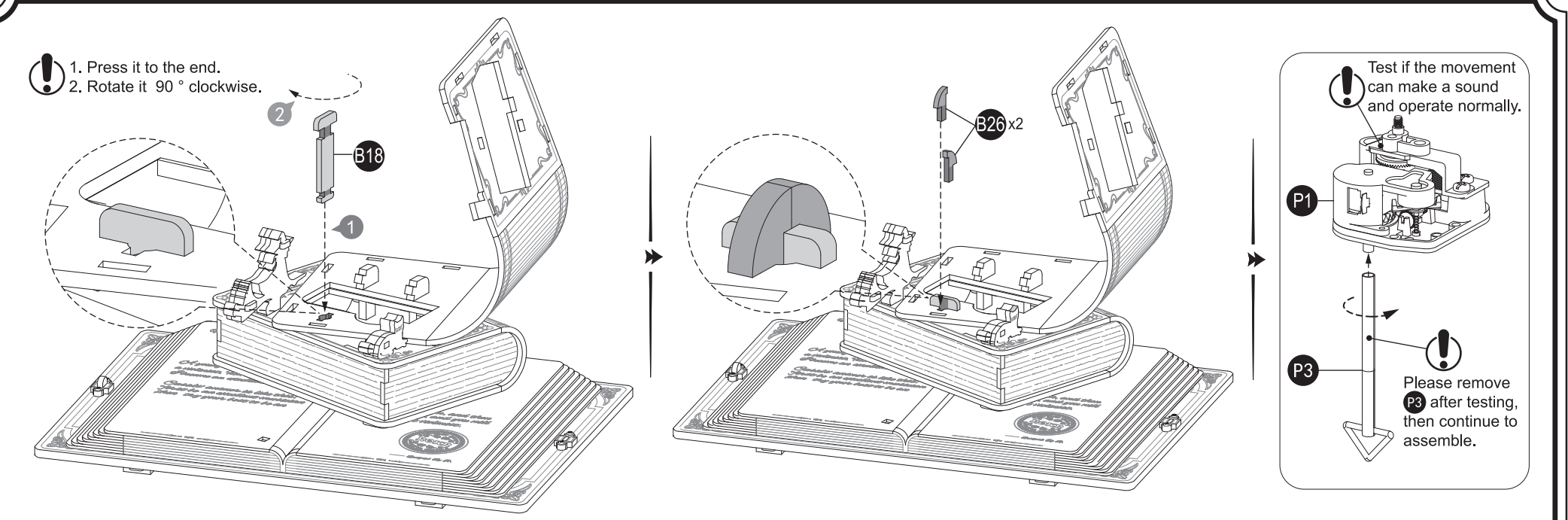
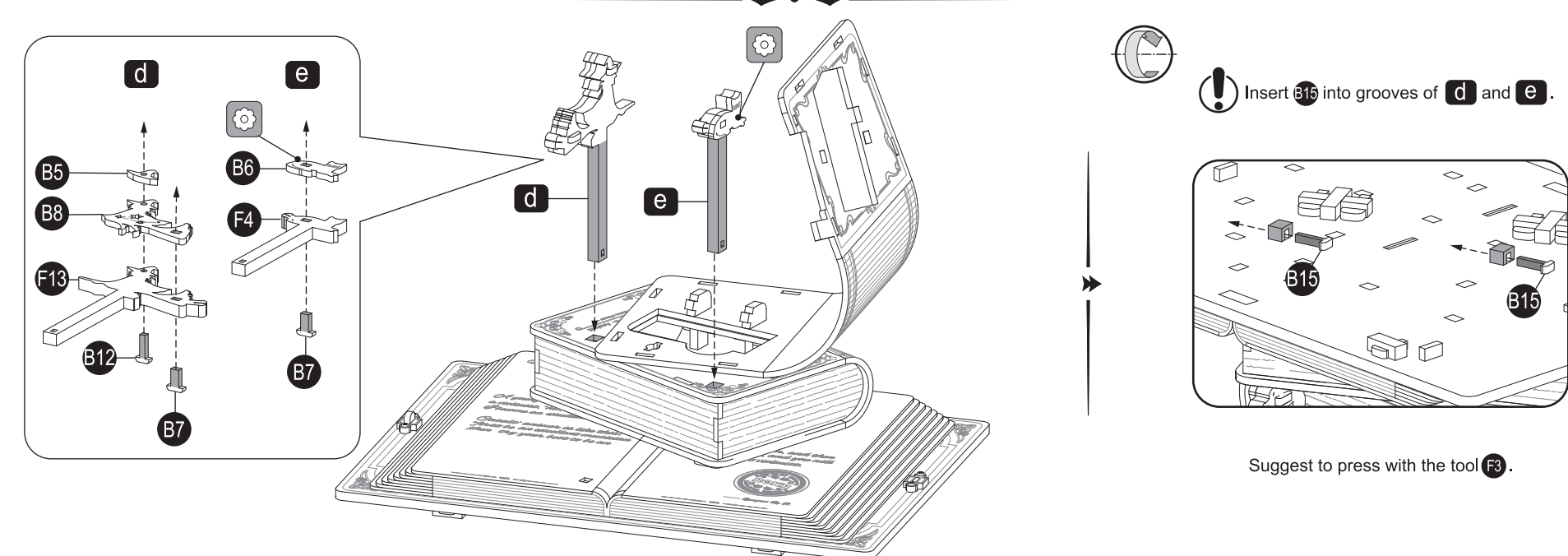
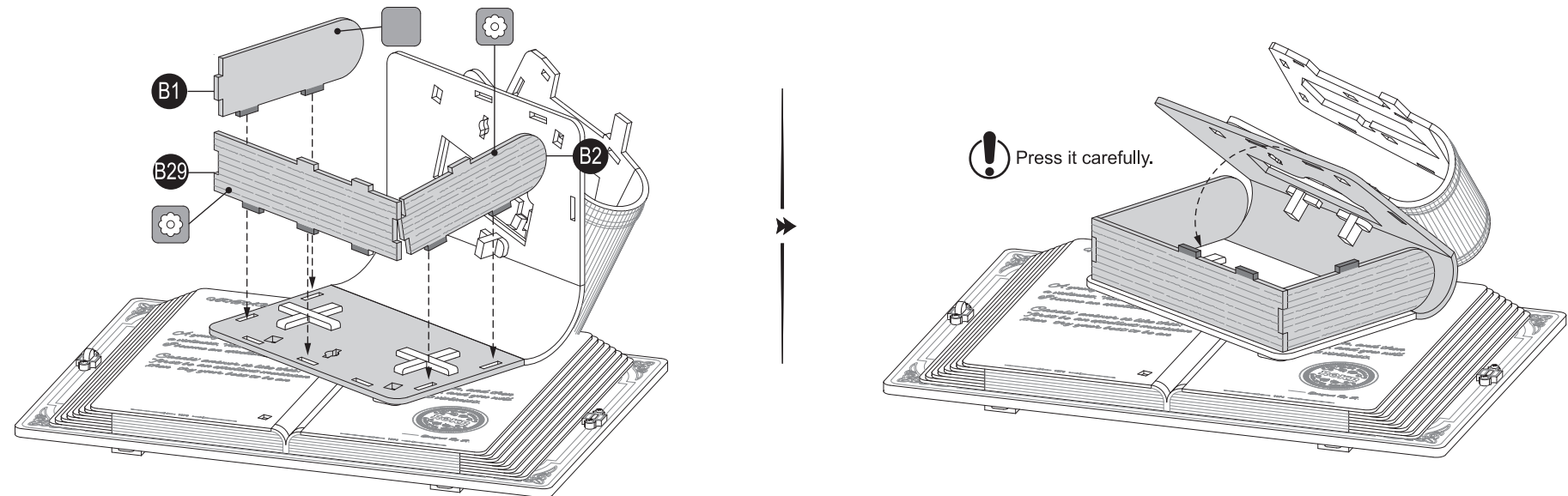
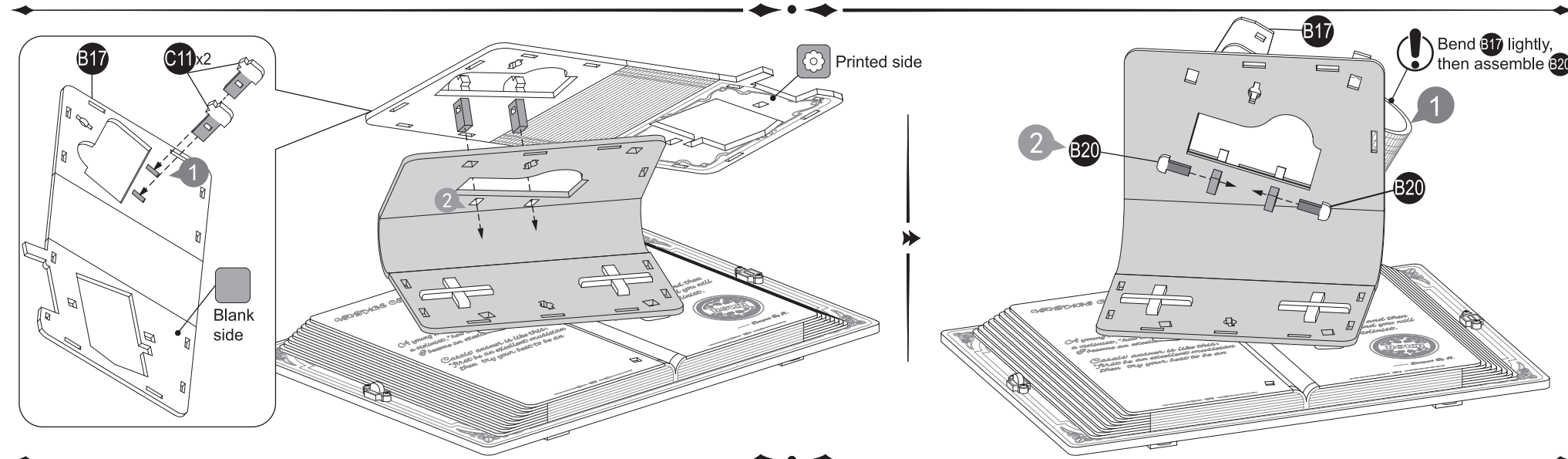
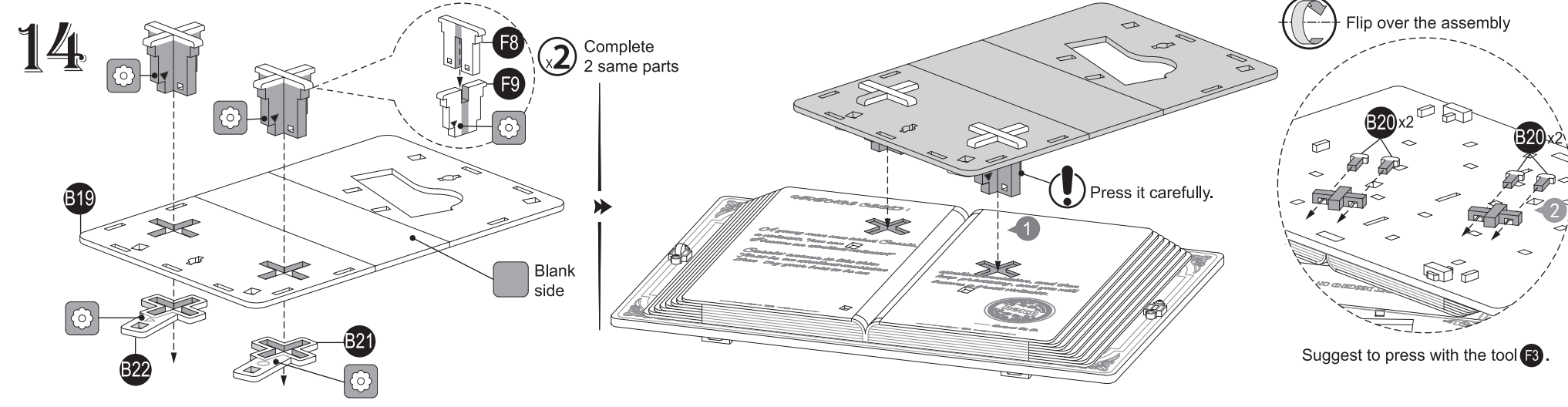
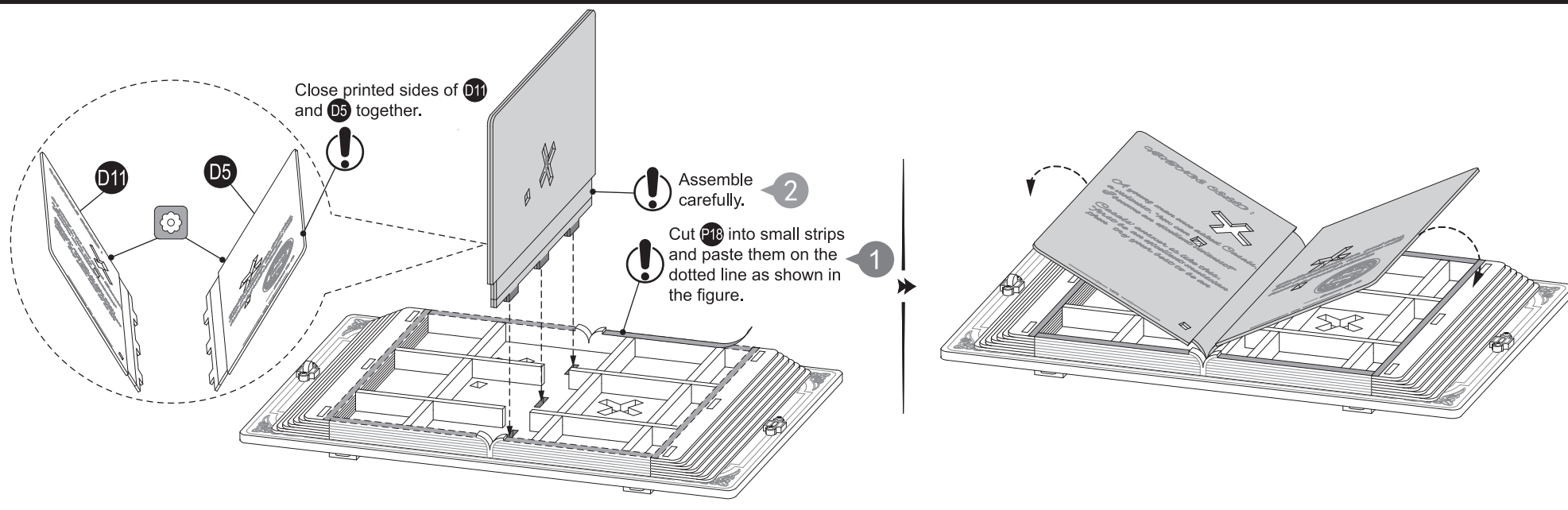
Suggest to use the tool to prevent excessive pressure and steel shaft dislocation.

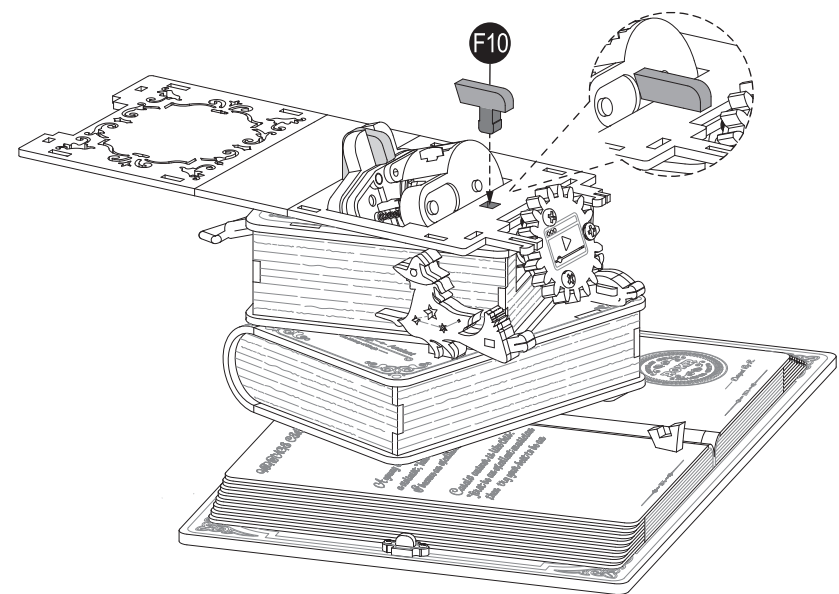
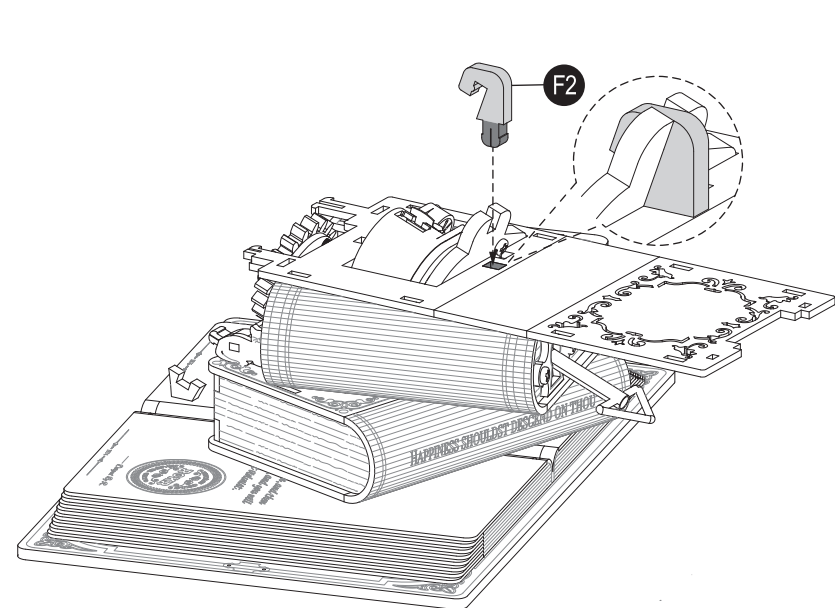
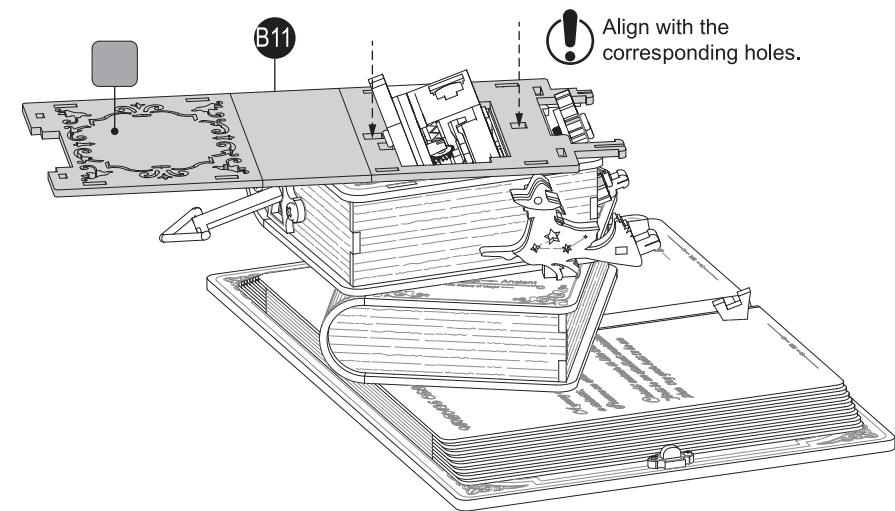
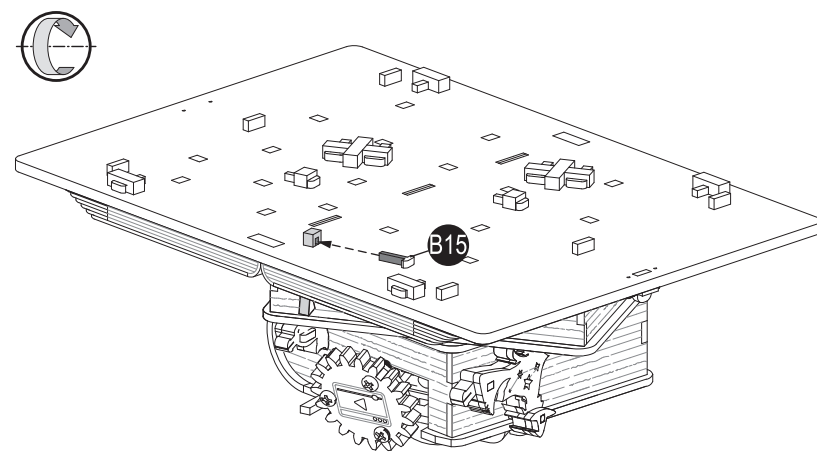
Insert it into the hole marked with "△" of the Side A.

7

P14 x1 45mm 1:1

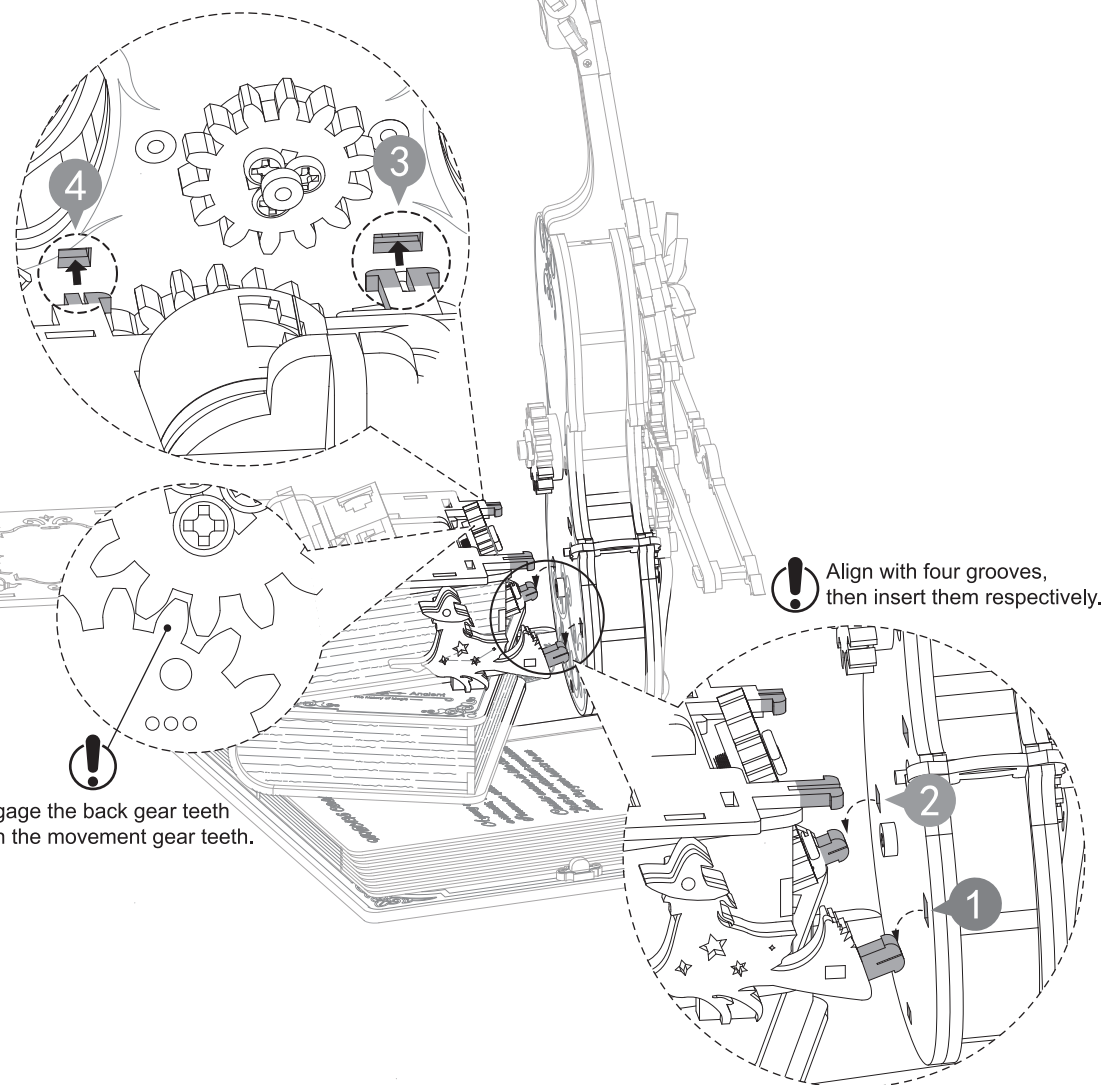






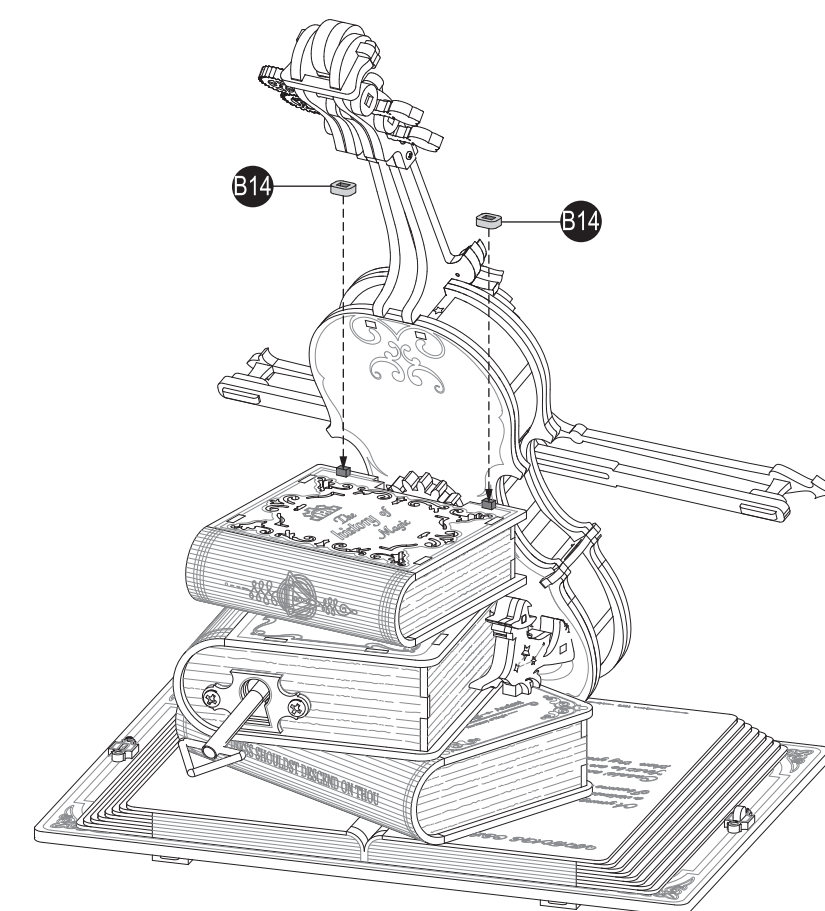
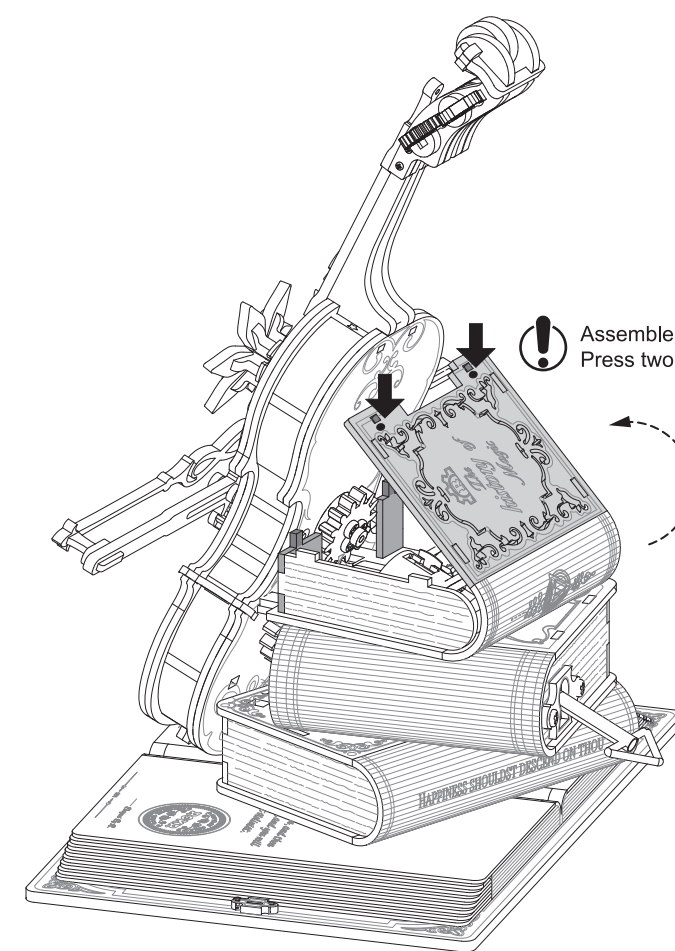
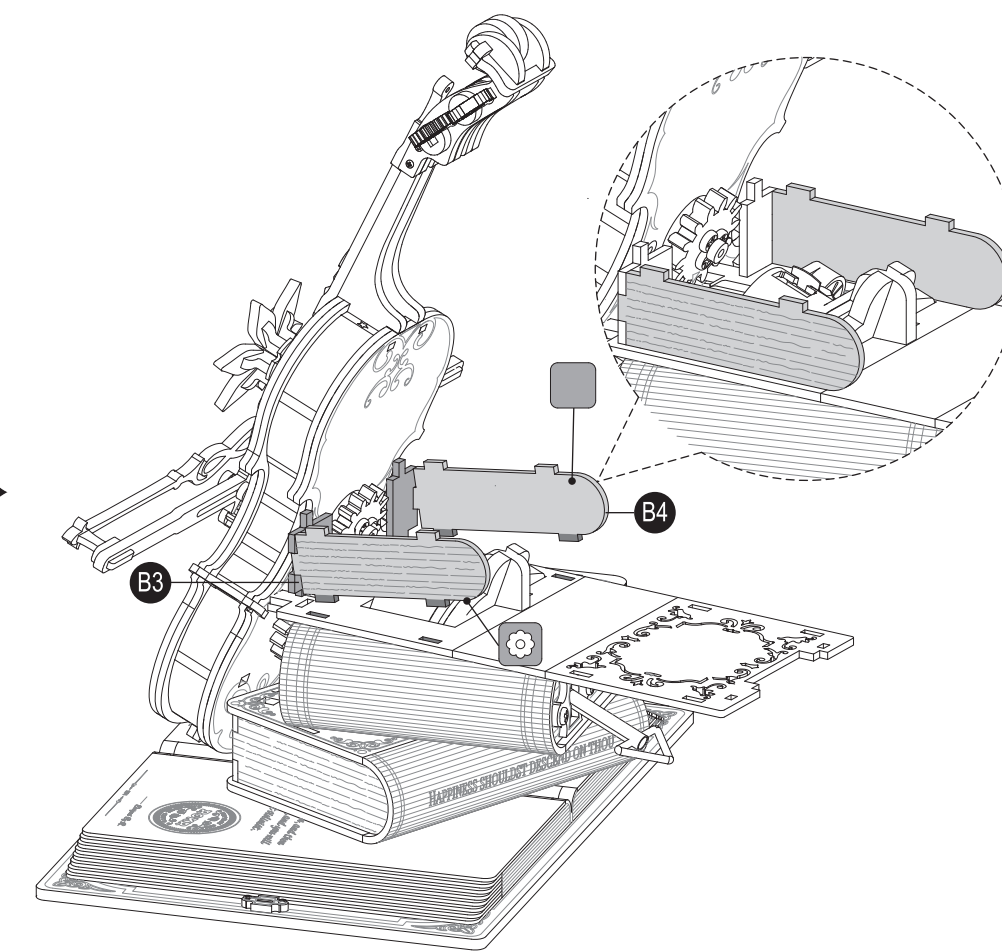
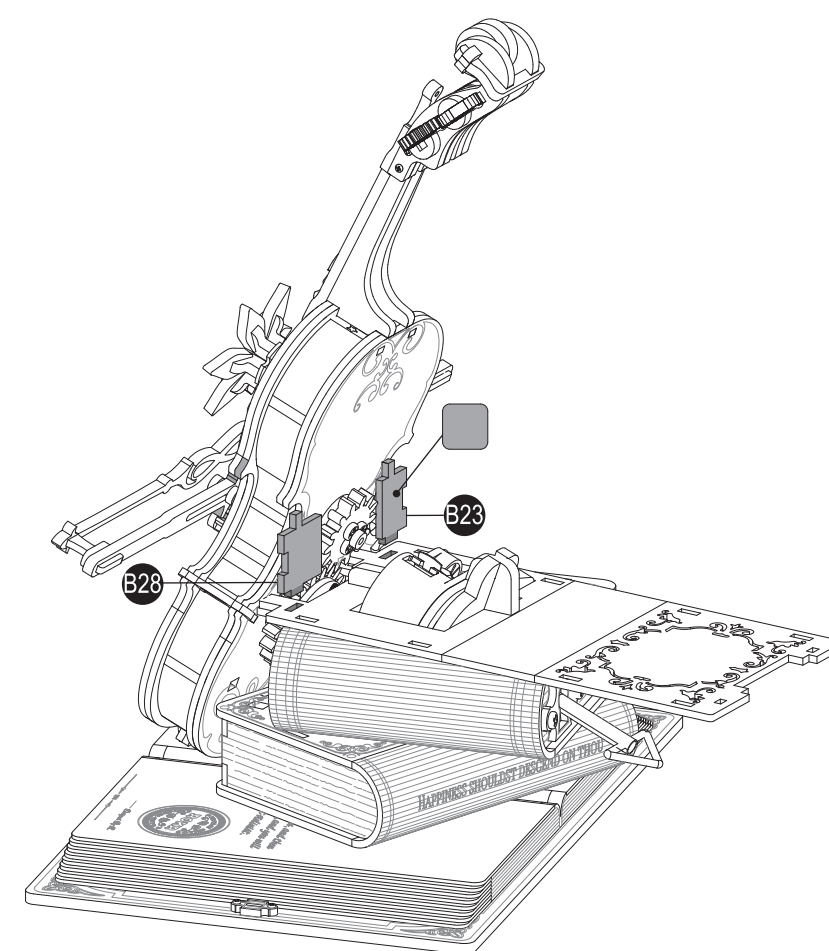
18

Assemble more easily as the shown sequence of steps.



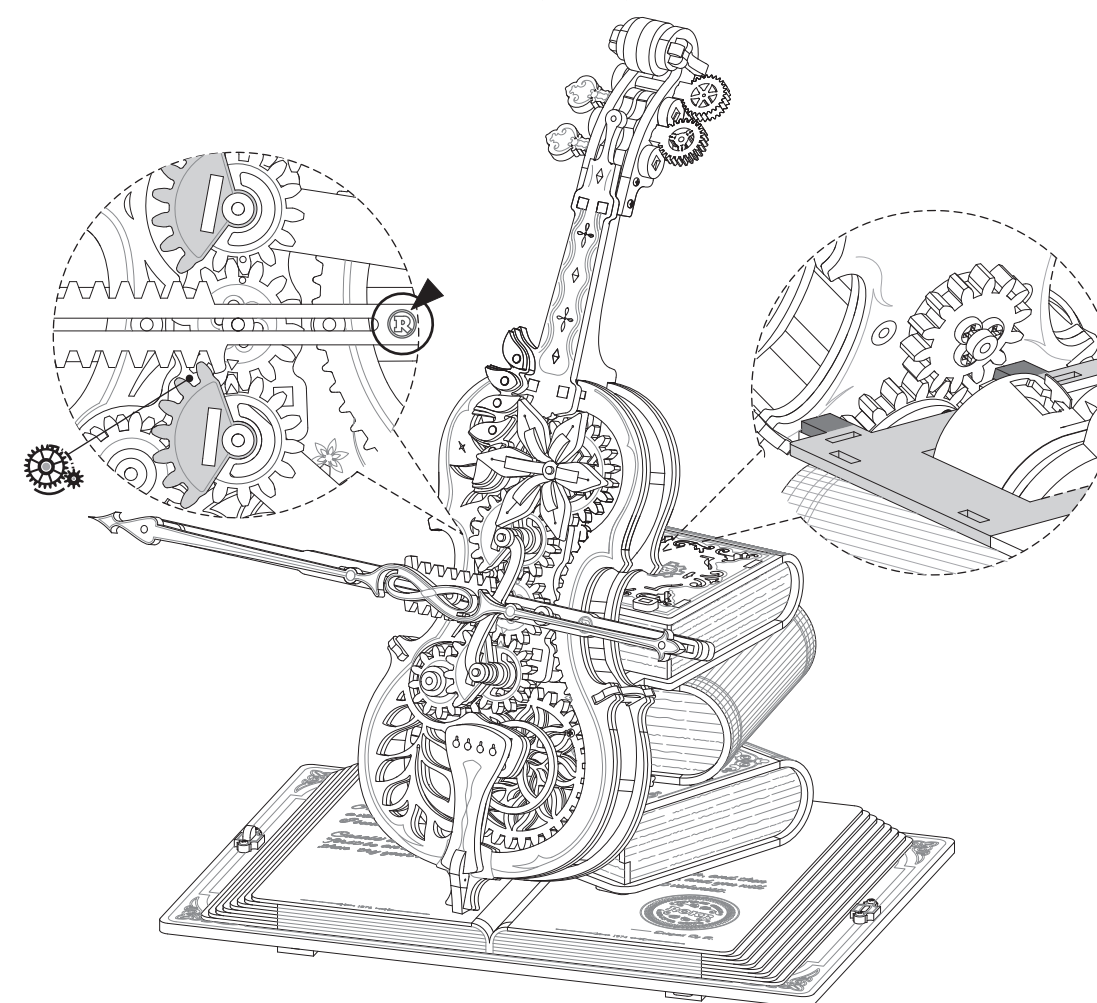
Align with four grooves, then insert them respectively.

Engage the back gear teeth with the movement gear teeth.



Solutions for the failure:

1. If the cello cannot rotate, please check if the gear is engaged with the rack as Step 12-2. The mark "R" should face upwards.
Check whether the mark "R" faces upwards on the right; whether the rack and gear are stuck.
If so, please reassemble the mark "R" in the correct direction and pull the rack and gear to allow the wax between the gears to be fully lubricated before testing again.



2. If it is still failed, refer to 18-2 to open the first book behind the cello and check if the gears are engaged with those of the movement.

Complete.