

# ROKR

**WARNING:**

The product is for people who include and over 14 years old. Kids should assemble under the guidance of adults.

**MAINTENANCE:**

Keep the product away from the source of ignition and don't soak it into water. Don't use chemical solvent like alcohol, ammonium hydroxide or cleaning agent to clean the product.

Use clean and soft fabric to clean the product. Polish the part edge with sandpaper.

Email: [service@robotime.com](mailto:service@robotime.com)



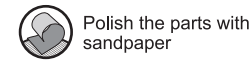
ROKR Facebook



store.robotime.com

Parts List		
Item	Elastic	Wax
Number	P1	P2
Illustration		
Quantity	5	1

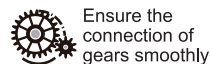
\*Due to customs policy in international shipping, the wax and glue may not be included. Please prepare them yourself.



Polish the parts with sandpaper



Wax the gray parts with remind



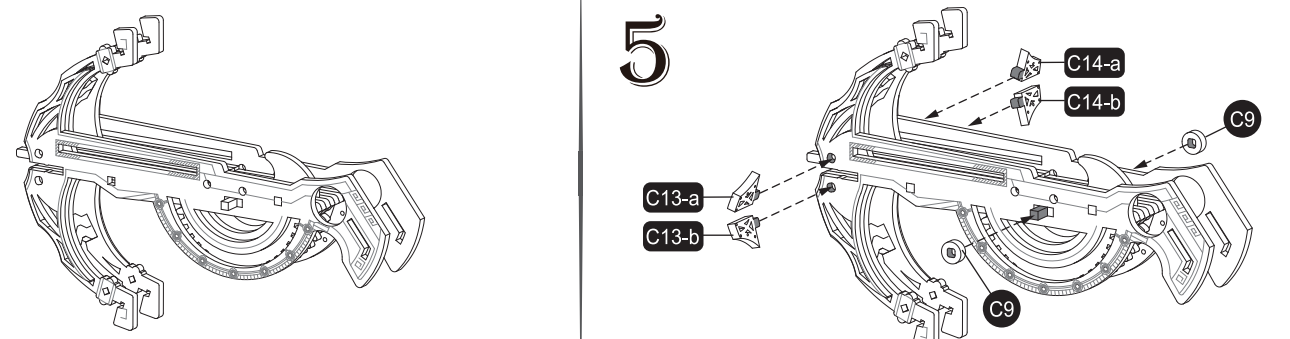
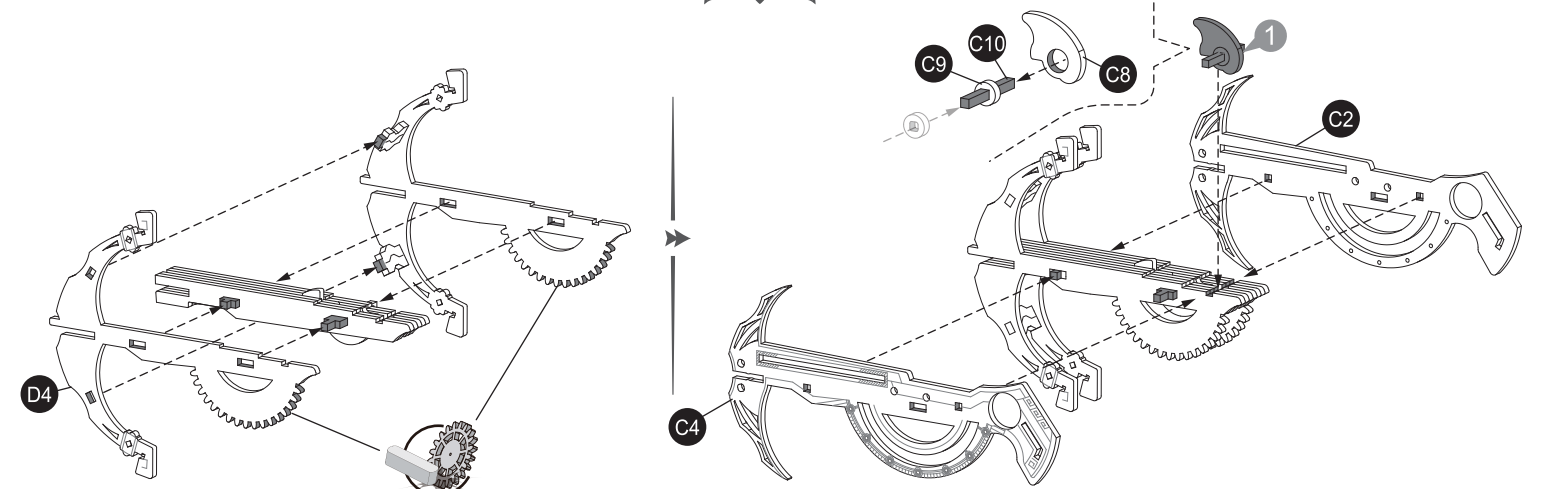
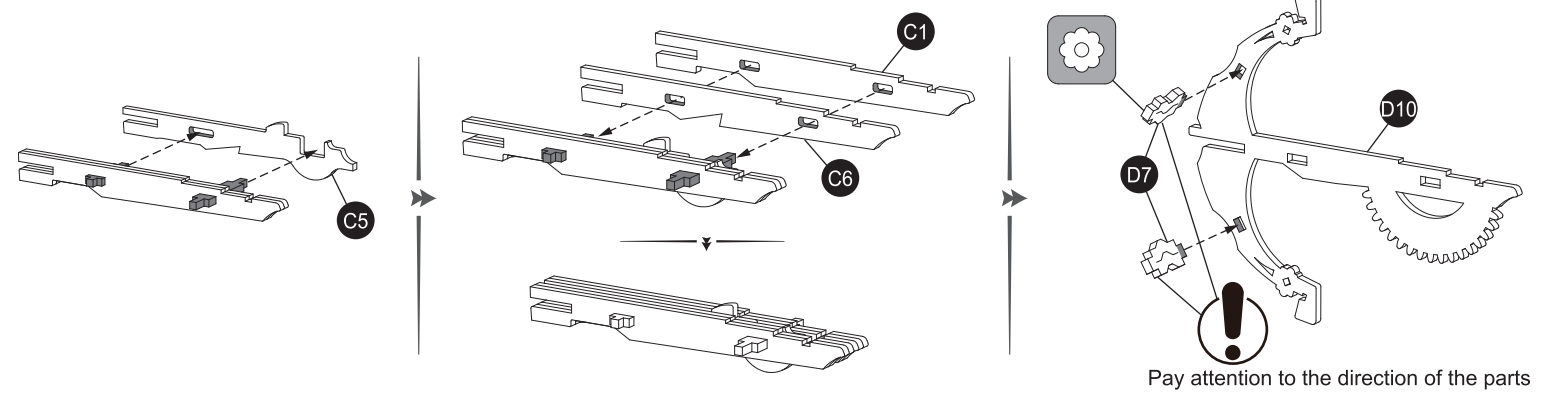
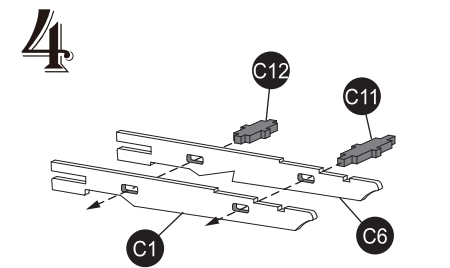
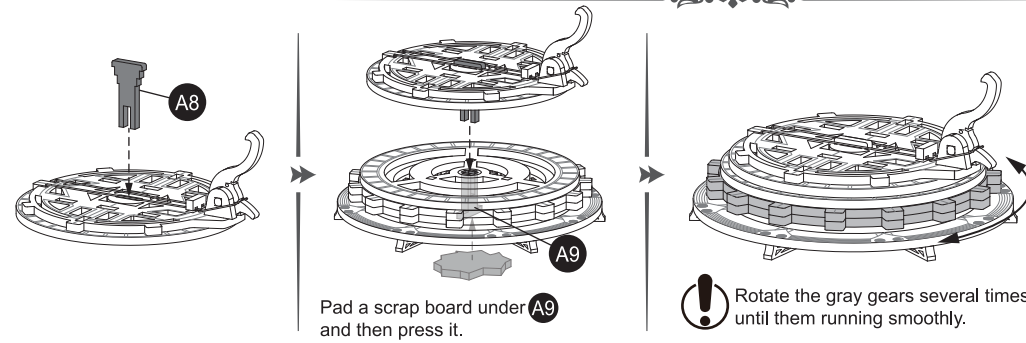
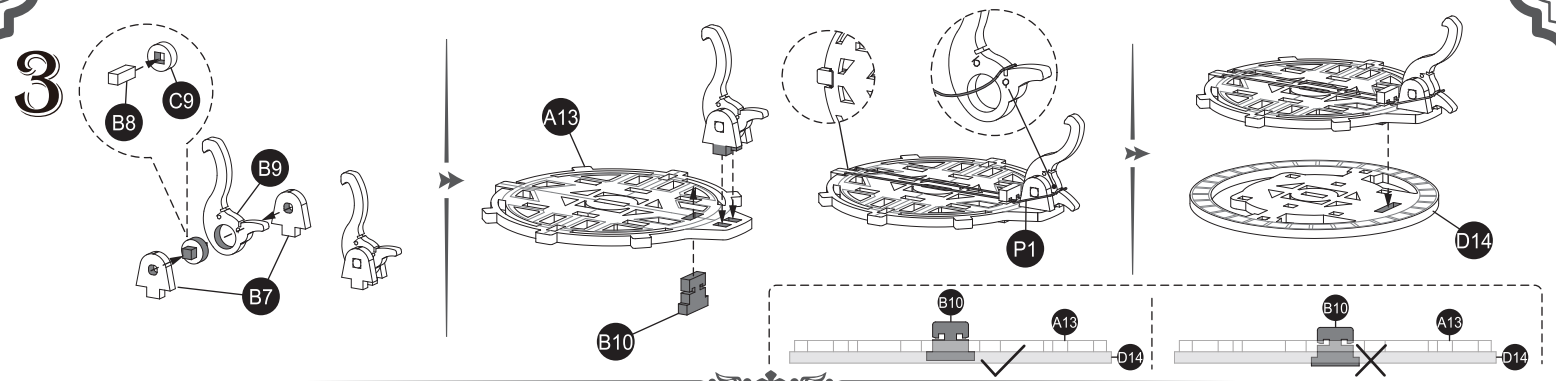
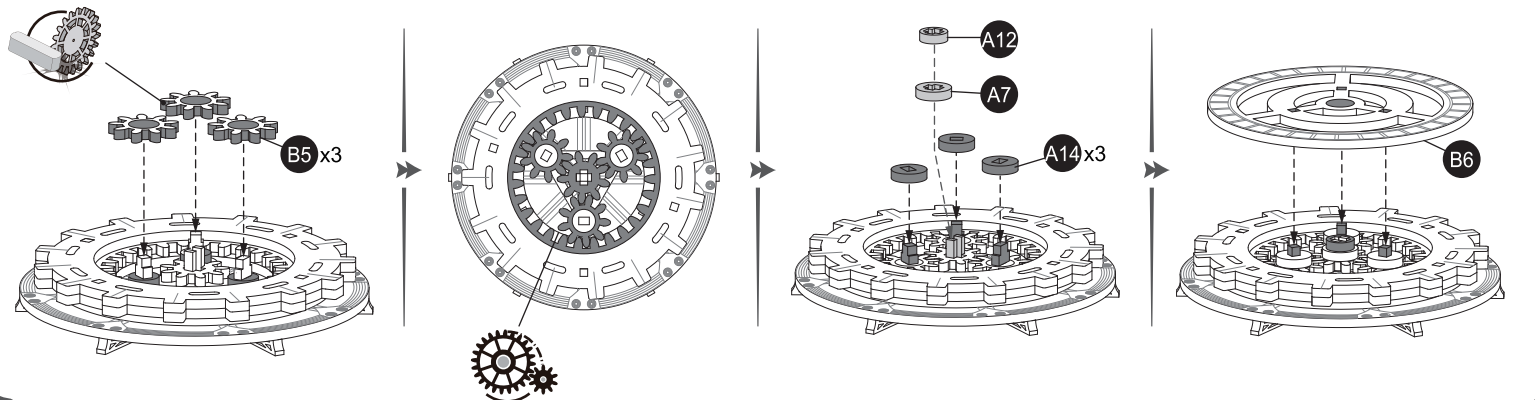
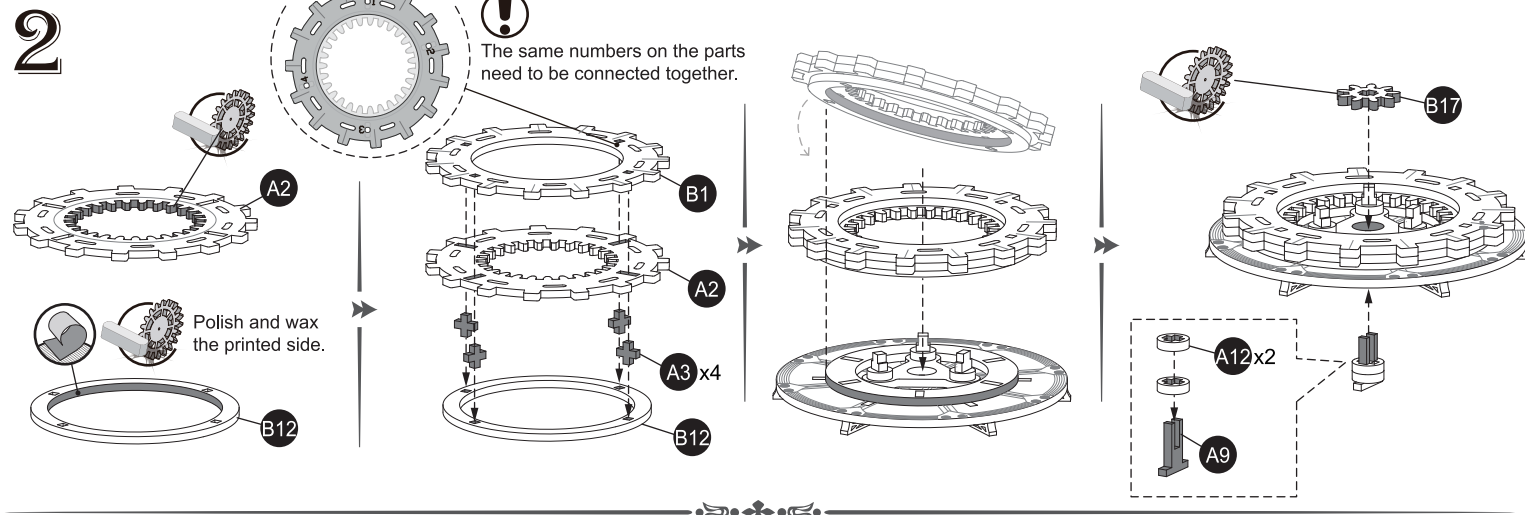
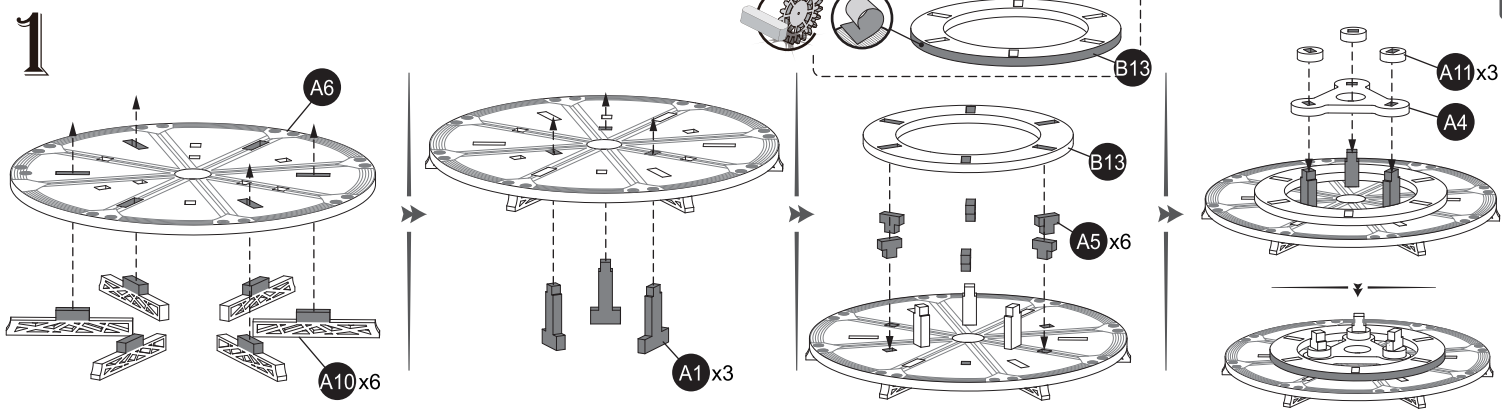
Ensure the connection of gears smoothly

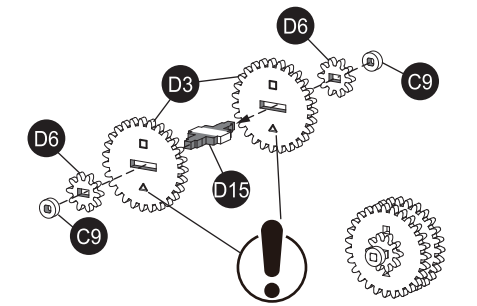
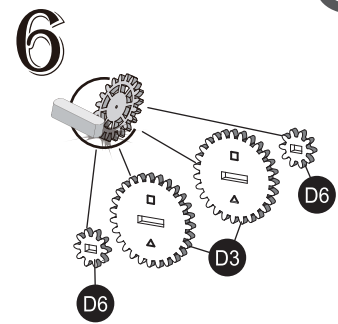
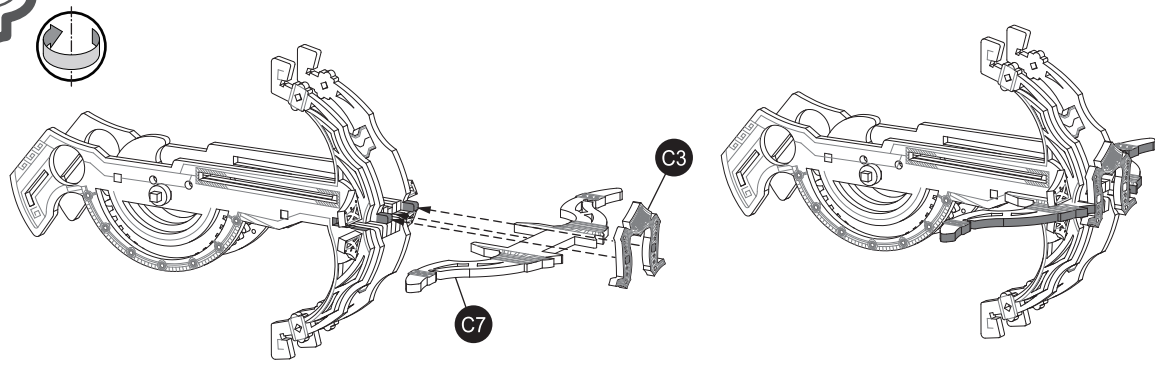


Printed side

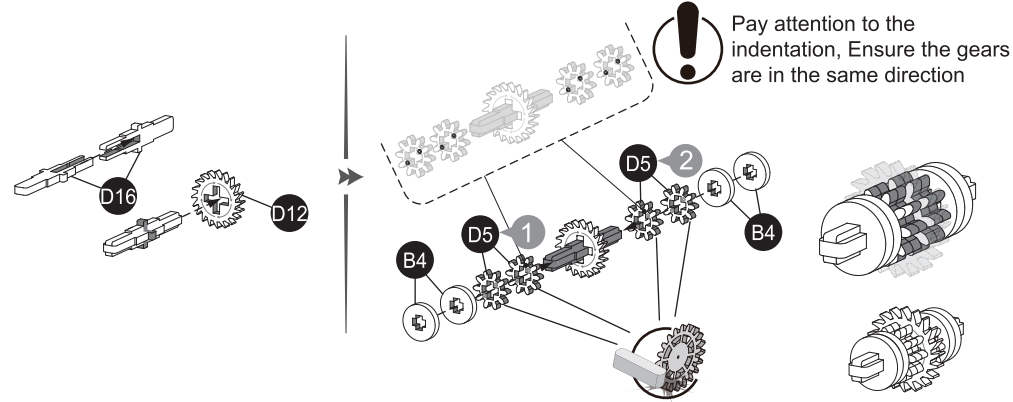


Perspective changed

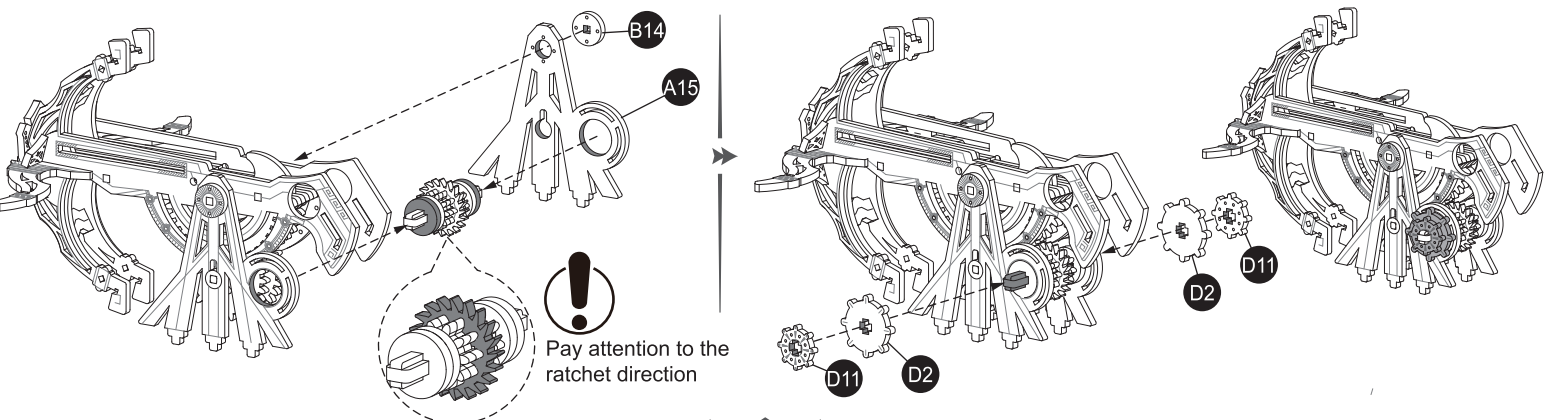
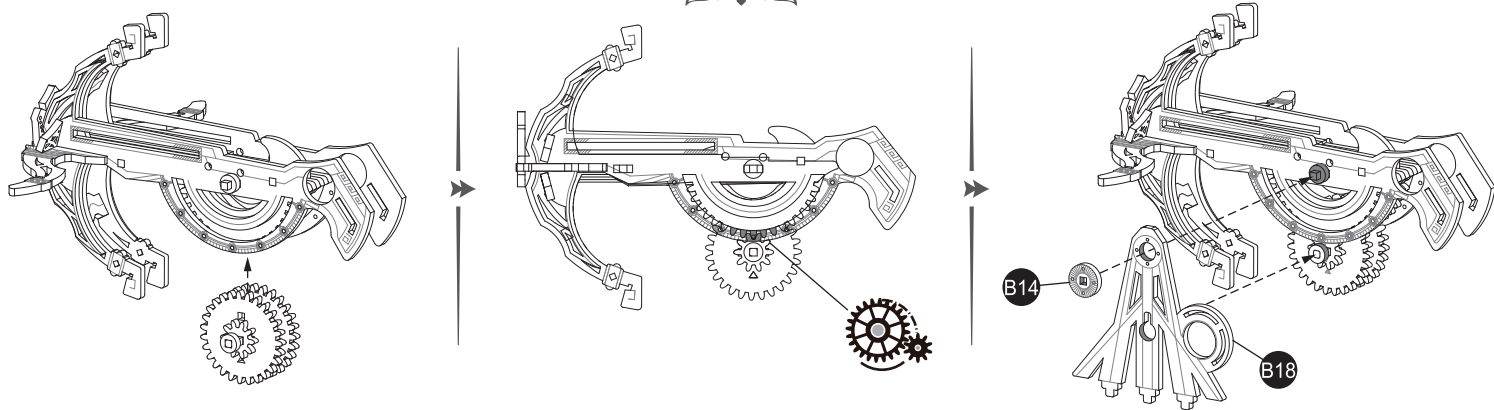




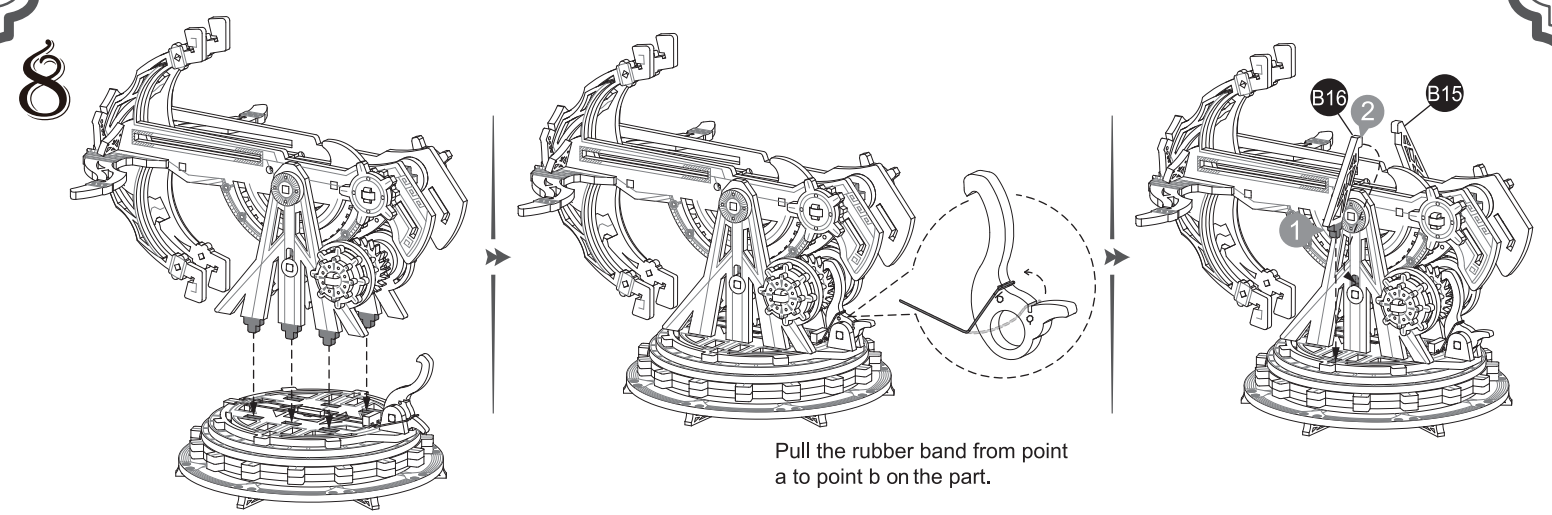
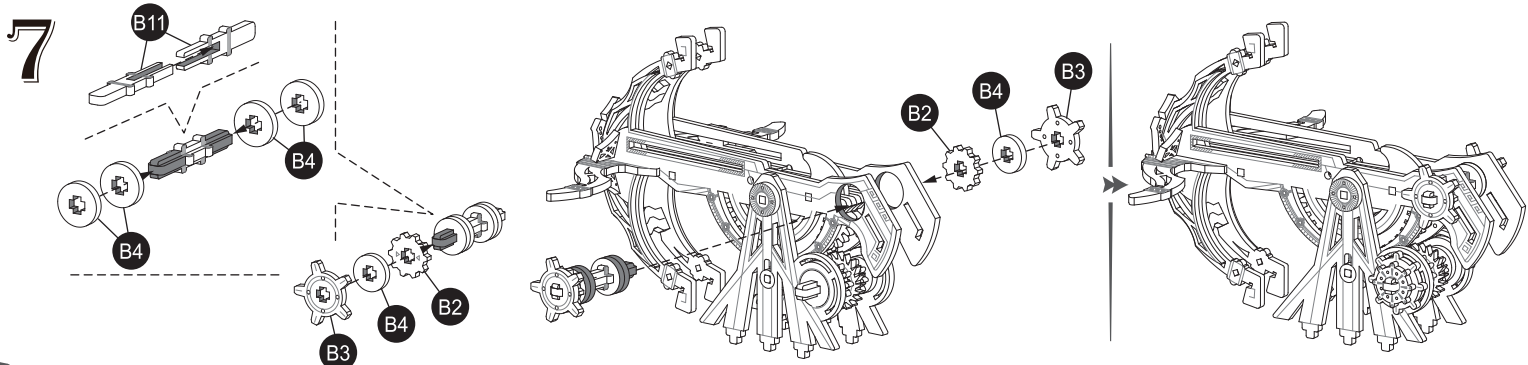
Pay attention to the indentation, Ensure the gears are in the same direction



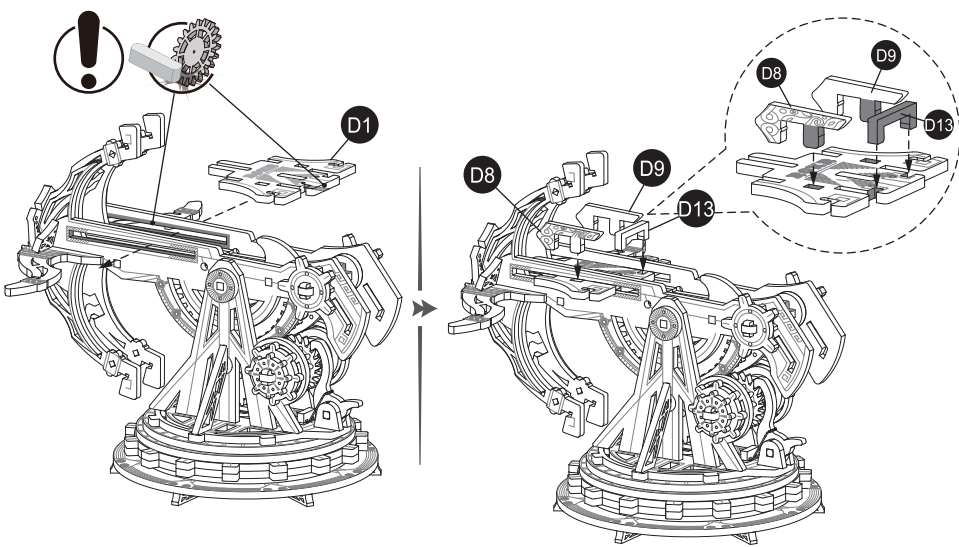
Pay attention to the indentation, Ensure the gears are in the same direction



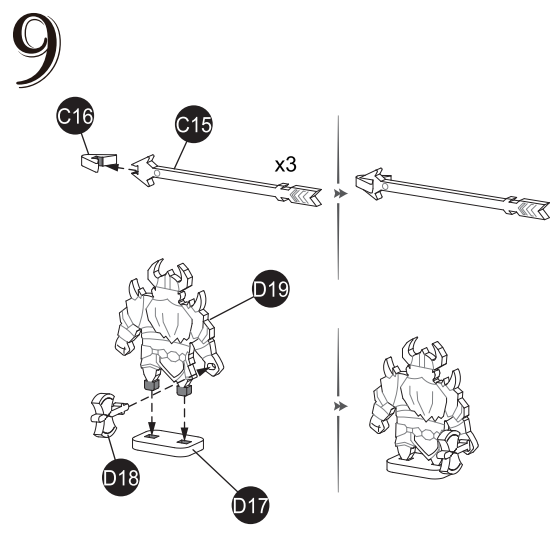
Pay attention to the ratchet direction



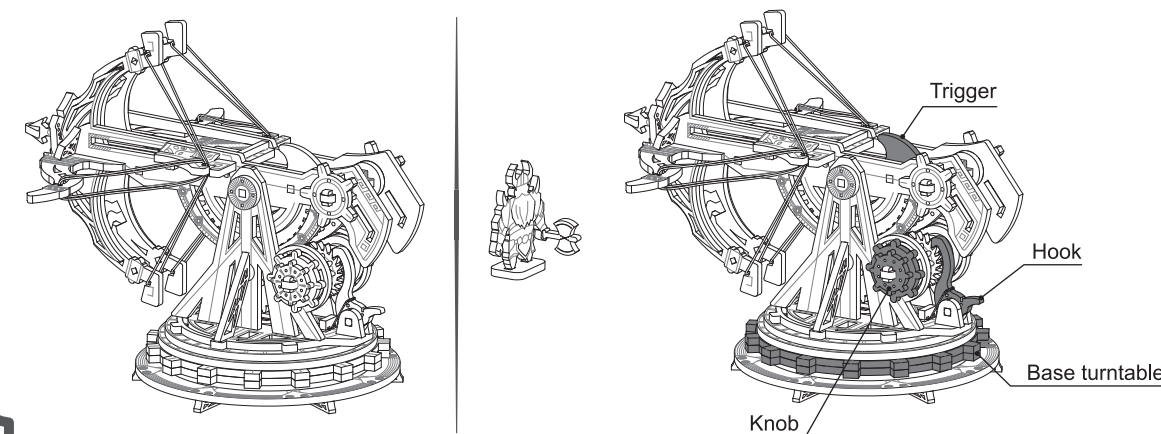
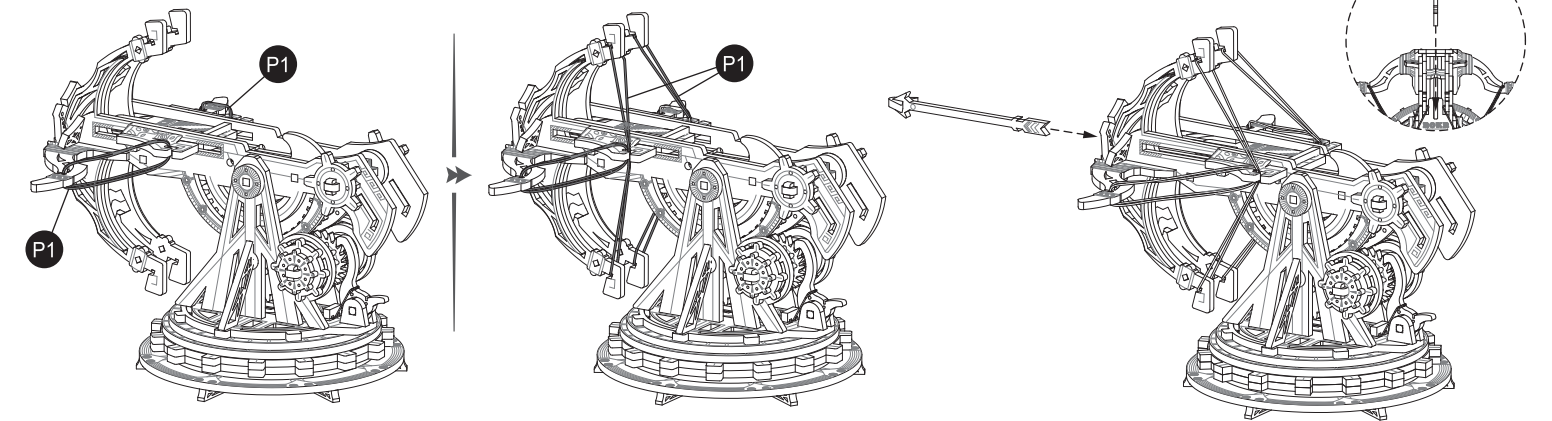
Pull the rubber band from point a to point b on the part.



The rubber band should be installed after folding in half.



Insert the arrow into the slot.



**Instructions**

1. Rotate the base turntable to adjust the azimuth of the Ballista.
2. Rotate the knob, adjust the angle of elevation.
3. Press the trigger and fire.
4. When the elevation angle is adjusted to the top, the hook needs to be released.
5. Please use the knob to control the firing angle.

Don't aim at face or eyes!