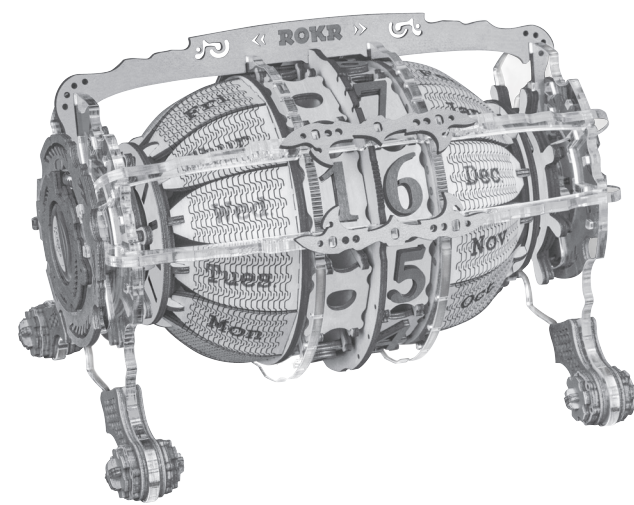


# TIME ENGINE CALENDAR

TIME ART / LC801



\*Due to customs policy in international shipping, the glue may not be included. Please prepare them yourself.

**WARNING:**  
The product is for people who include and over 14 years old.  
Kids should assemble under the guidance of adults.

**MAINTENANCE:**  
Keep the product away from the source of ignition and don't soak it into water.  
Don't use chemical solvent like alcohol, ammonium hydroxide or cleaning agent to clean the product.  
Use clean and soft fabric to clean the product. Polish the part edge with sandpaper.

Email: [service@robotime.com](mailto:service@robotime.com)

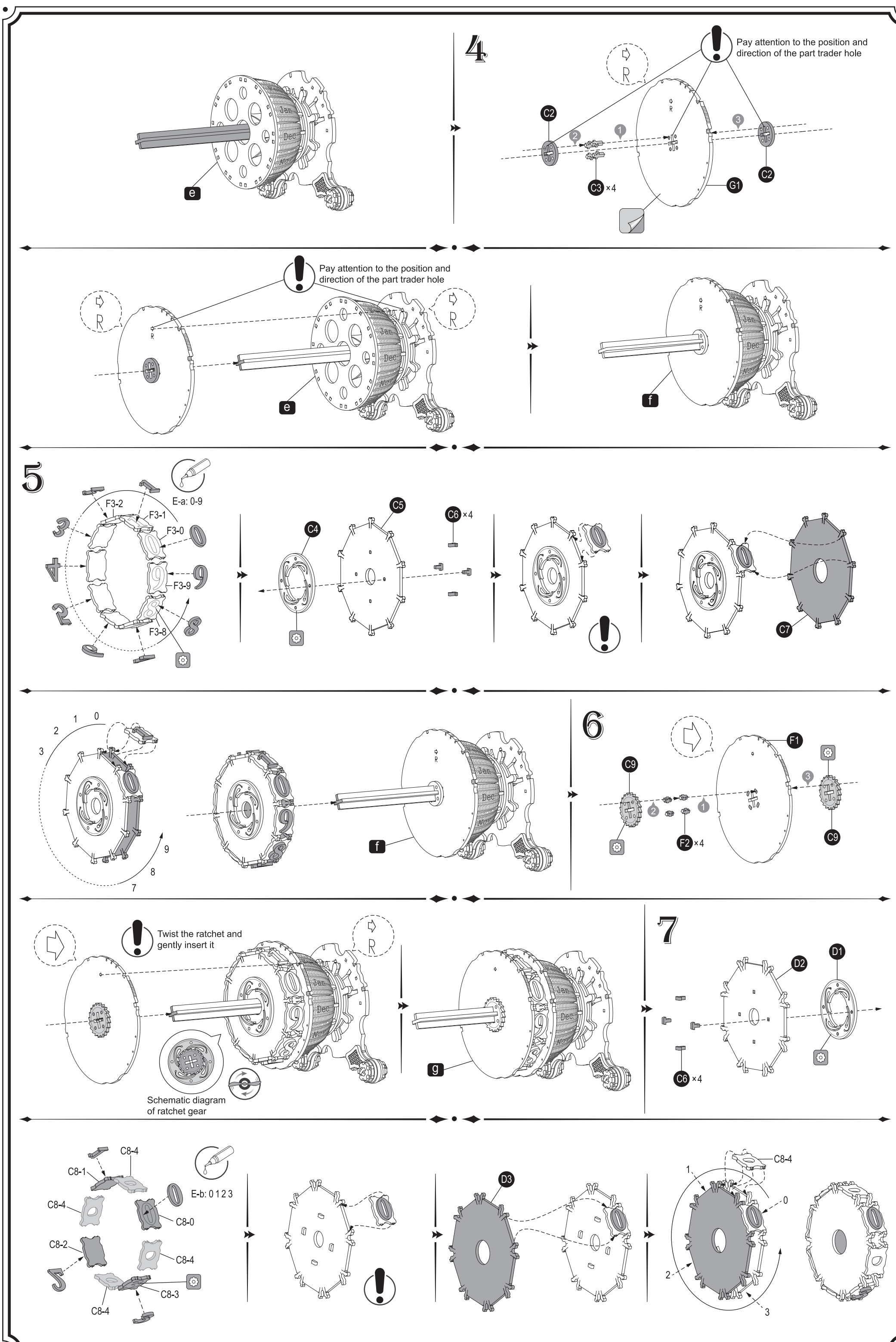
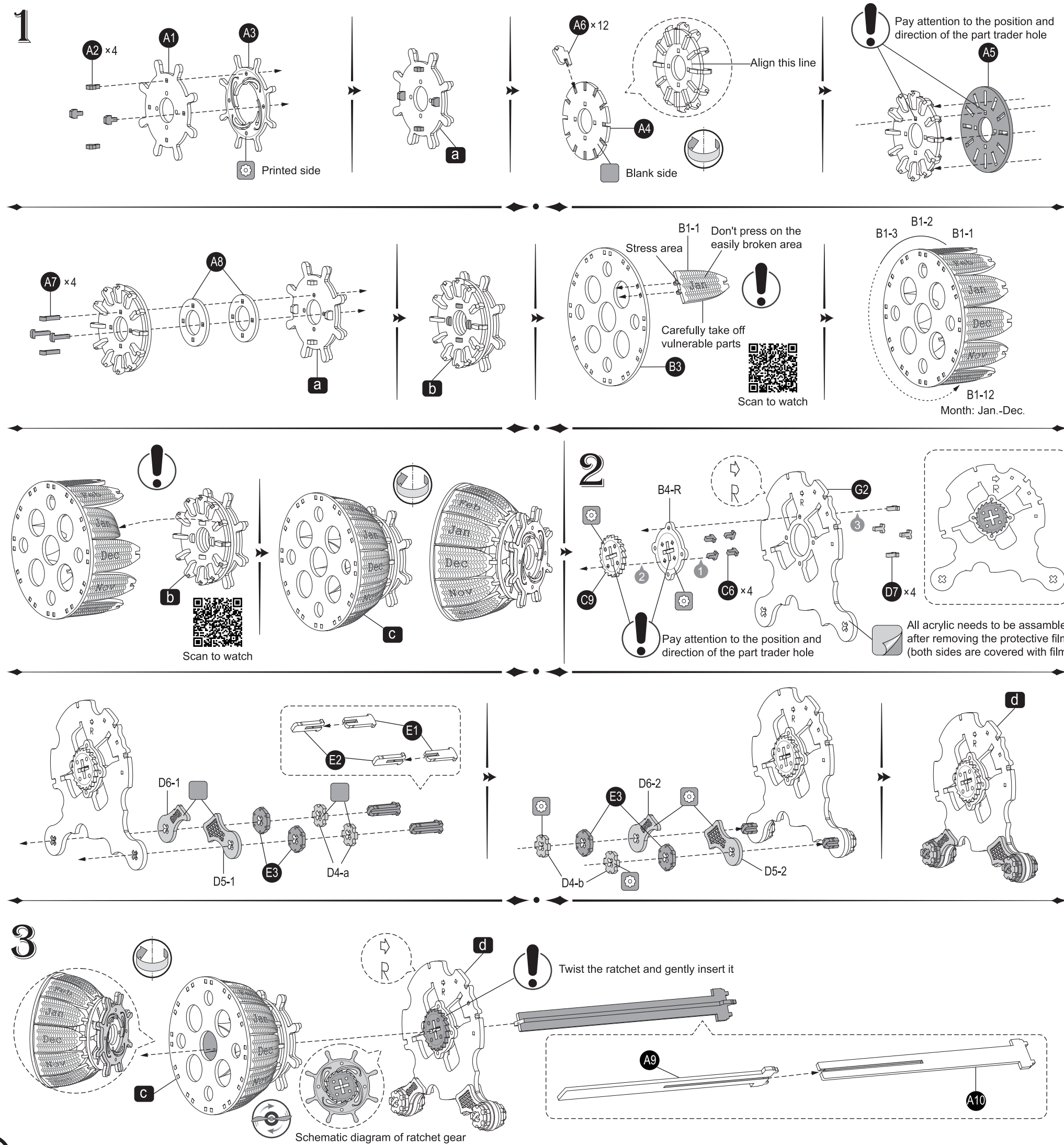


ROKR Facebook

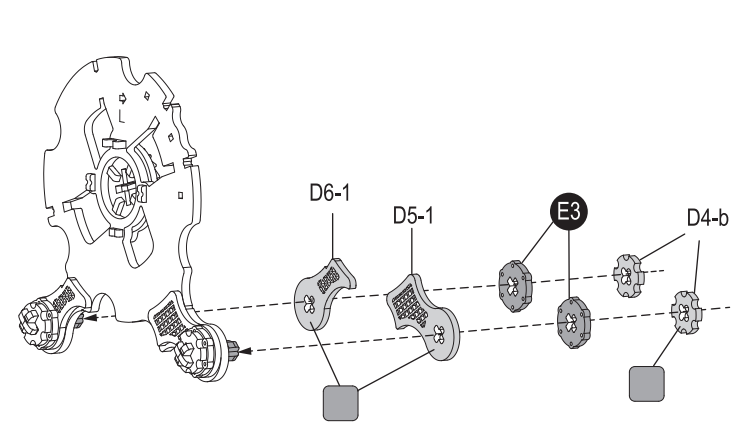
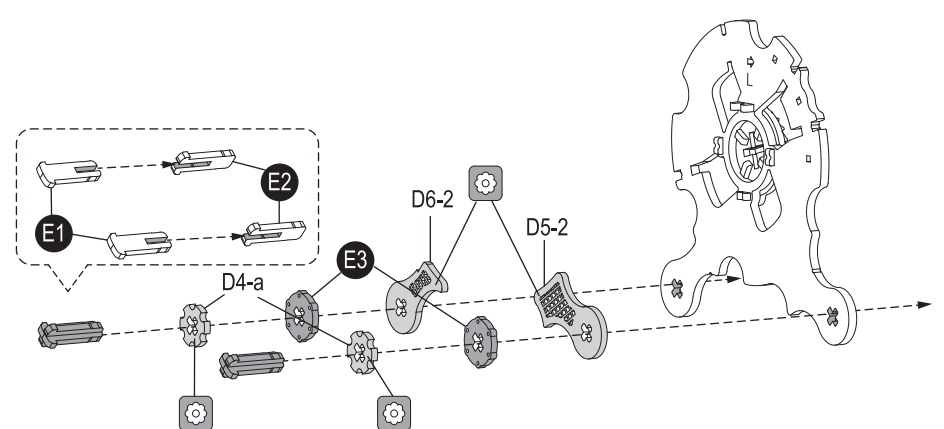
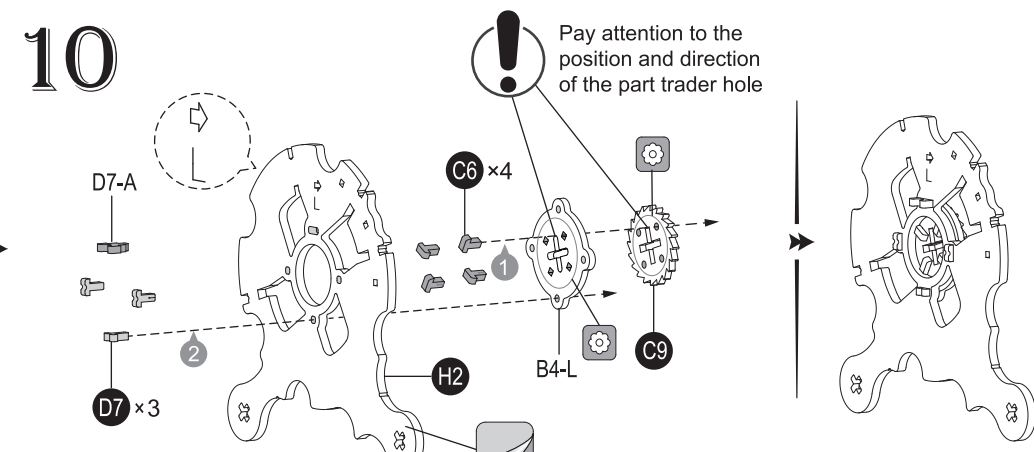
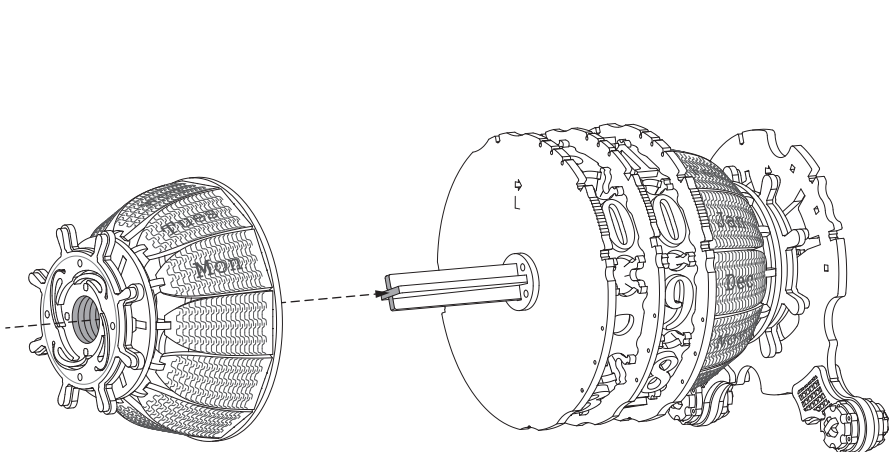
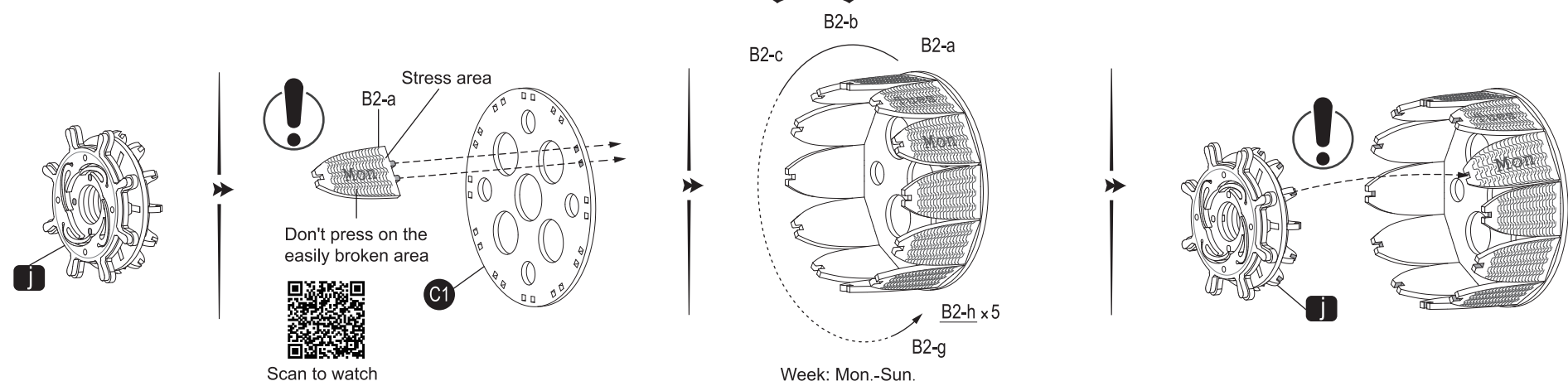
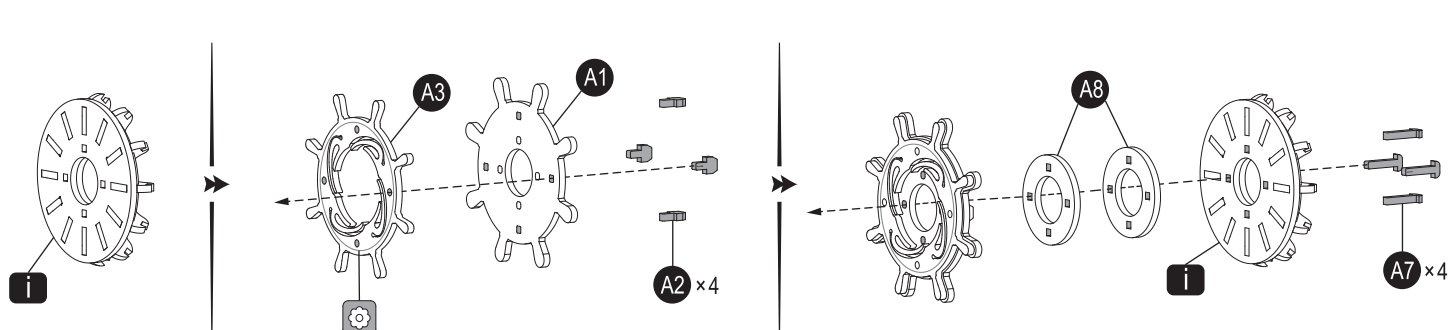
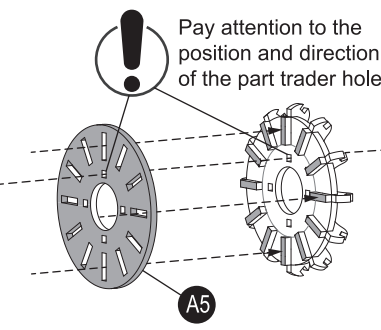
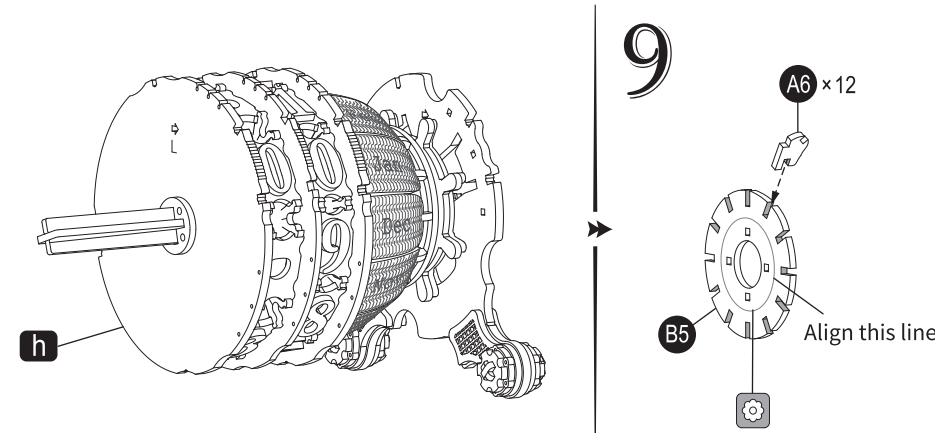
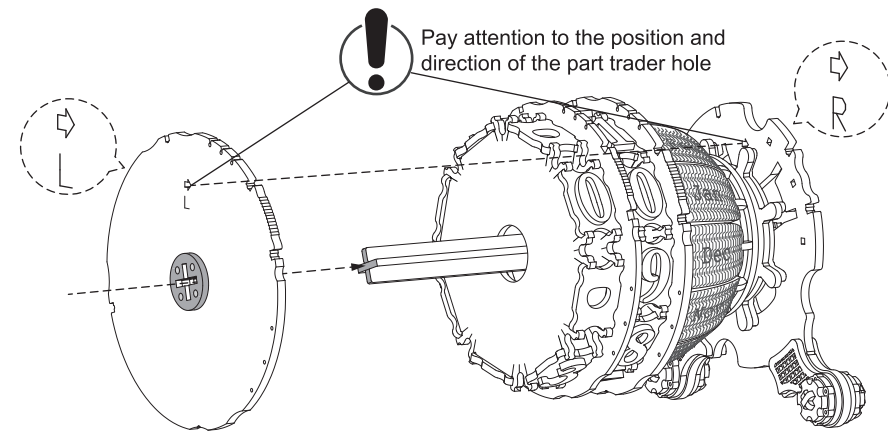
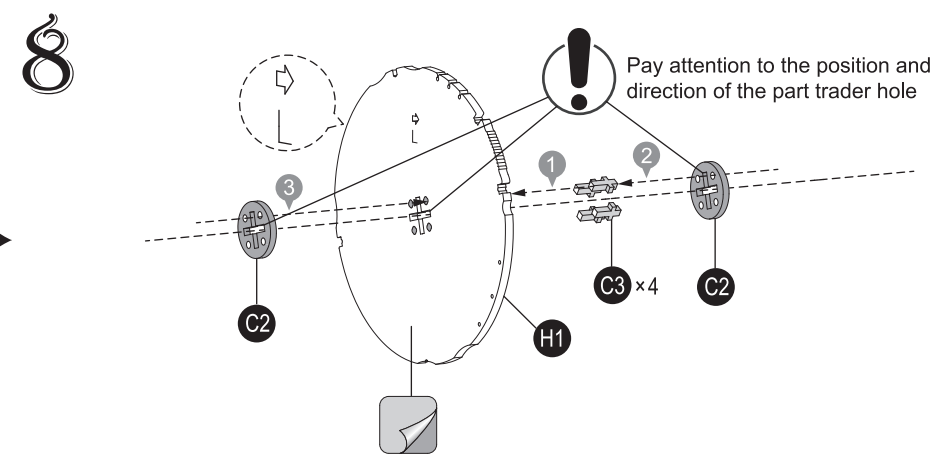
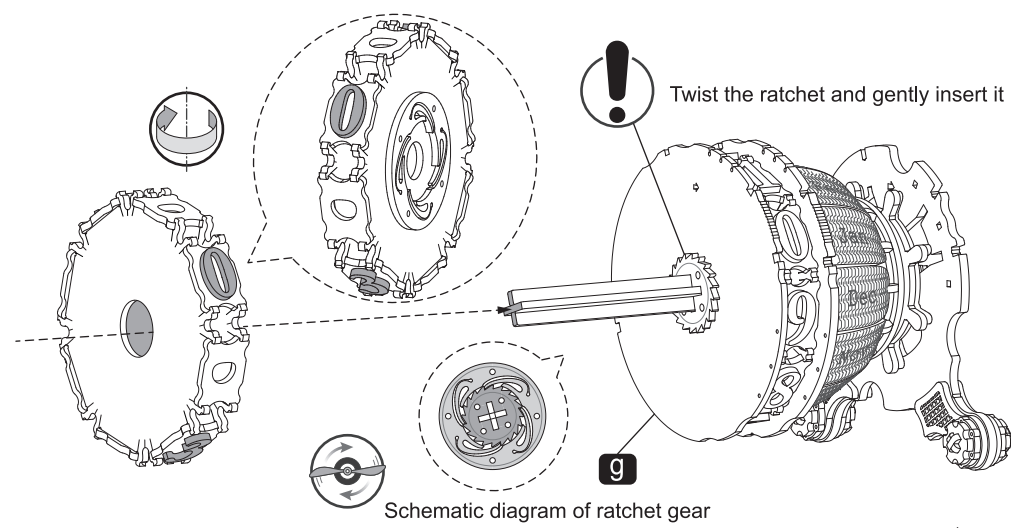


store.robotime.com

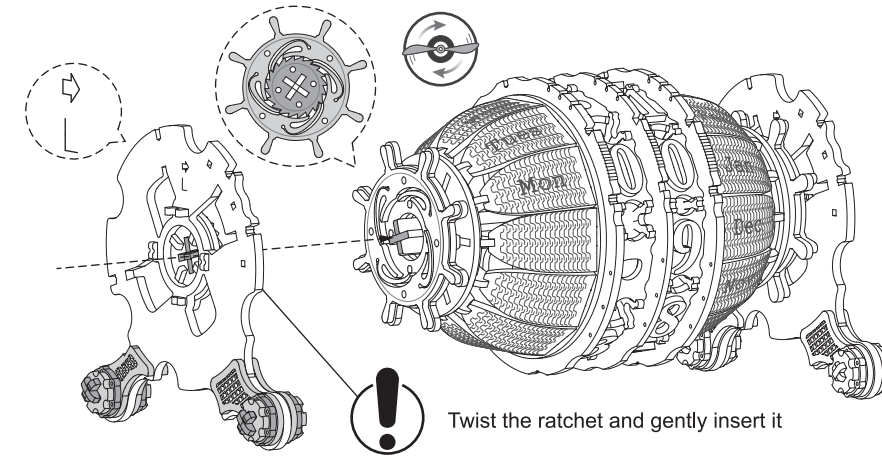
- Special attention in assembly
- Fix with glue
- Complete 2 same parts
- Printed side
- Step 1
- Ensure the parts running smoothly
- Remove protective film
- Perspective changed
- Blank side
- Step 2



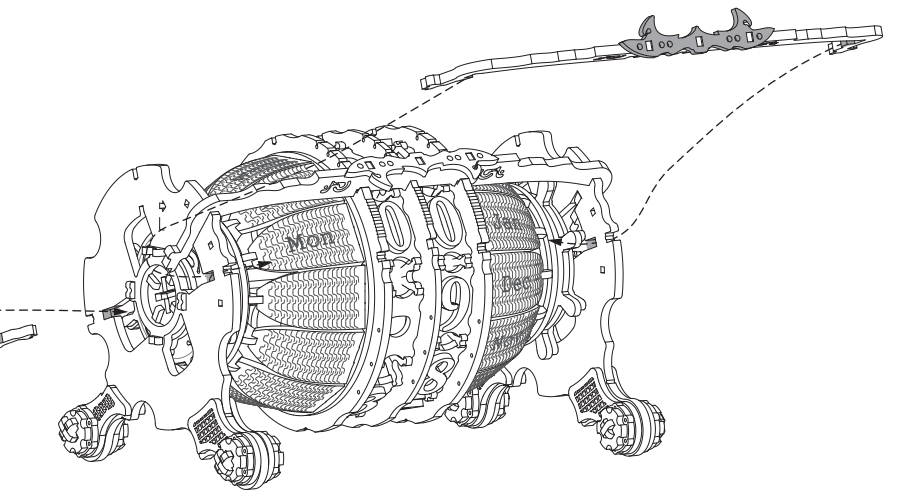
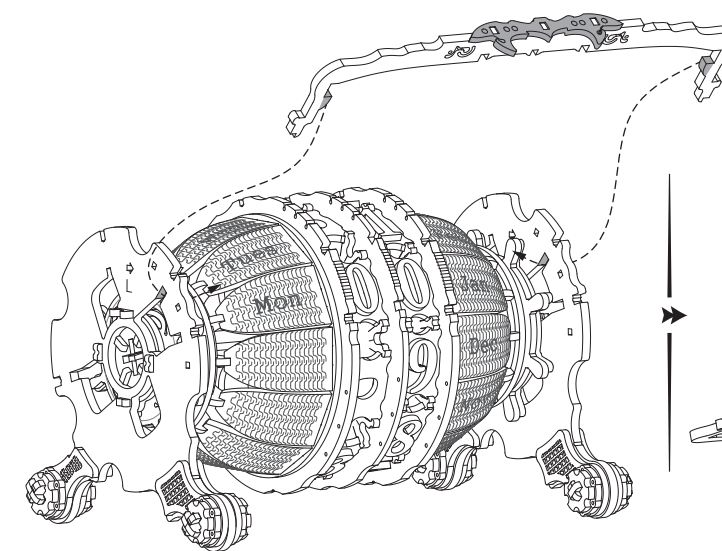
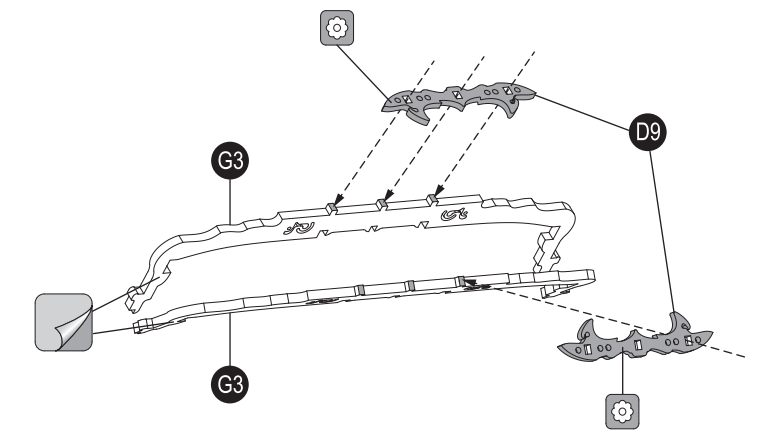




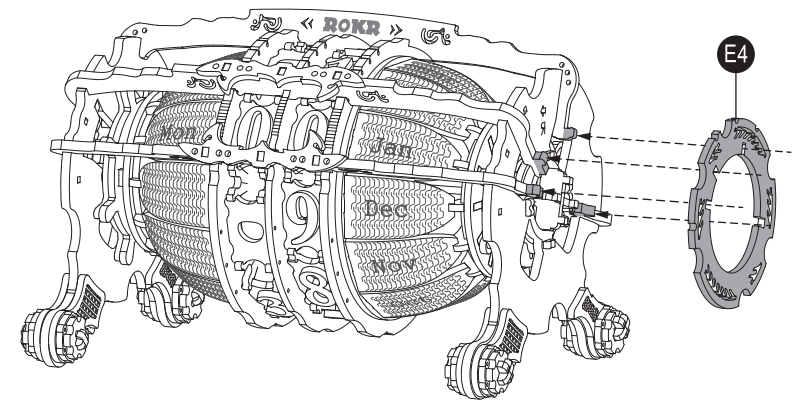
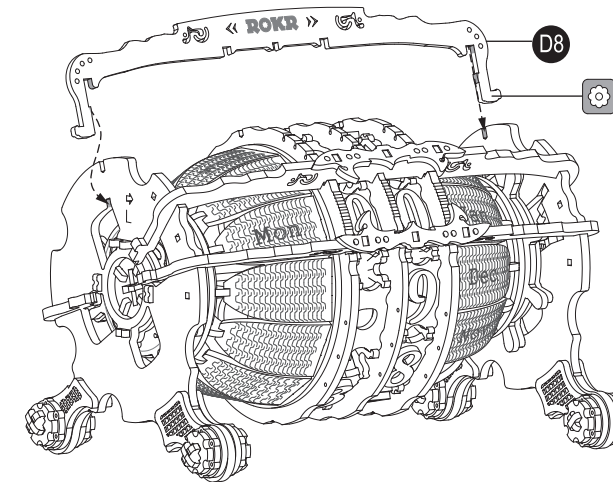
Schematic diagram of ratchet gear



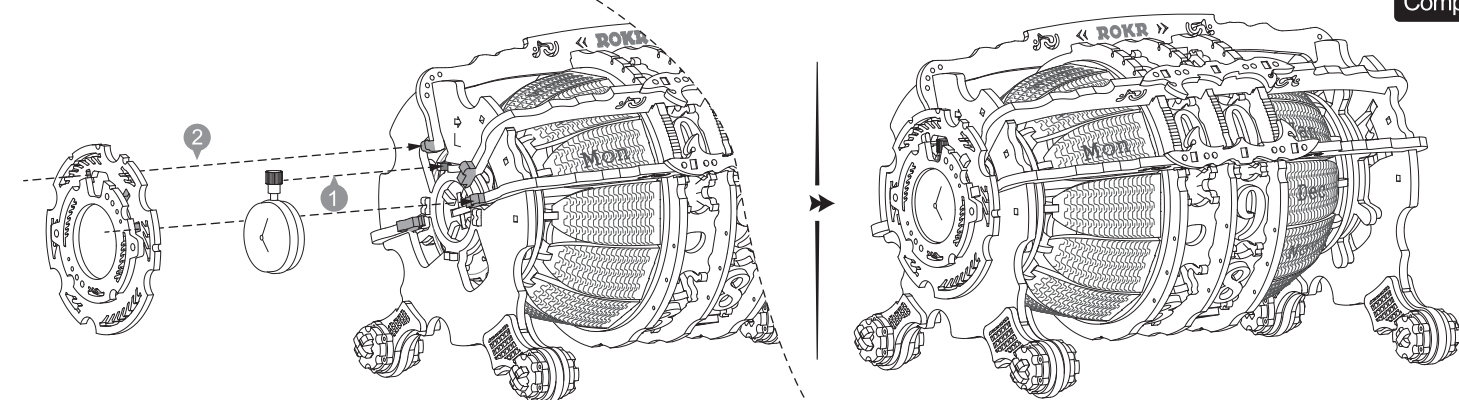
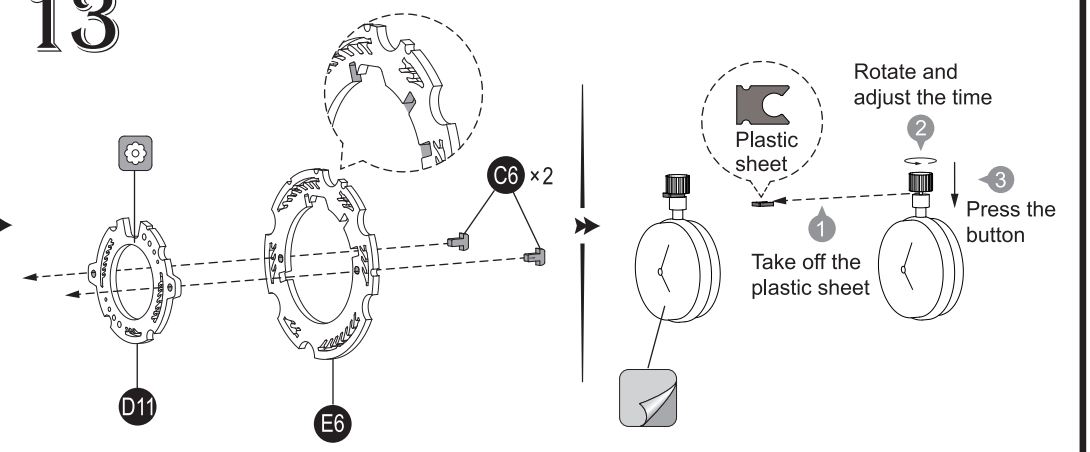
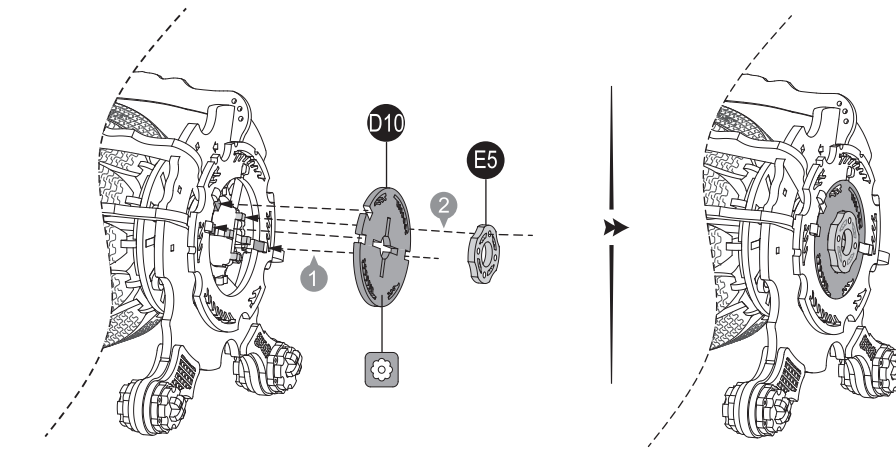
11



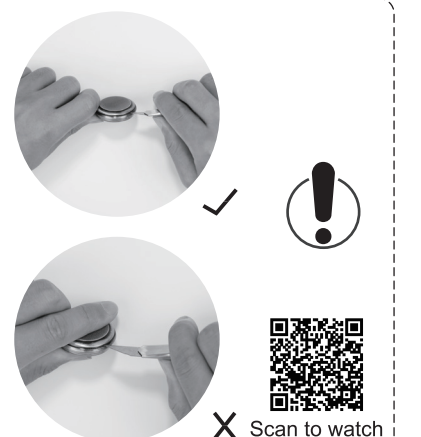
12



13



The part can be rotated in one direction by flicking the finger. There are day, date, month from left to right. The indicator shows the date.



Tips: Schematic diagram of battery replacement for Pocket Watch