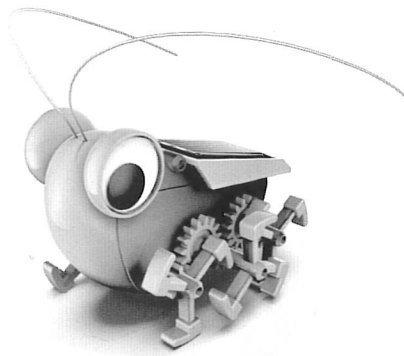


SOLAR BUG

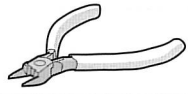
Solar bug is ideal for a do-it-yourself science fair, after-school, or summer workshop project with the bonus gift of learning mechanical transmission and electrical motor theory.

With only 51 assembly parts, it's a wonderful instrument for the beginner enthusiast 8 years and up, and a gateway to ignite opportunities in fun learning.

With direct sunlight, this little bug will keep strutting and strutting with more vigor than you could imagine.



Tool You May Need



Diagonal Cutter



WARNING :
CHOKING HAZARD
Small parts
Not for children under
3 years



Mechanical Parts List

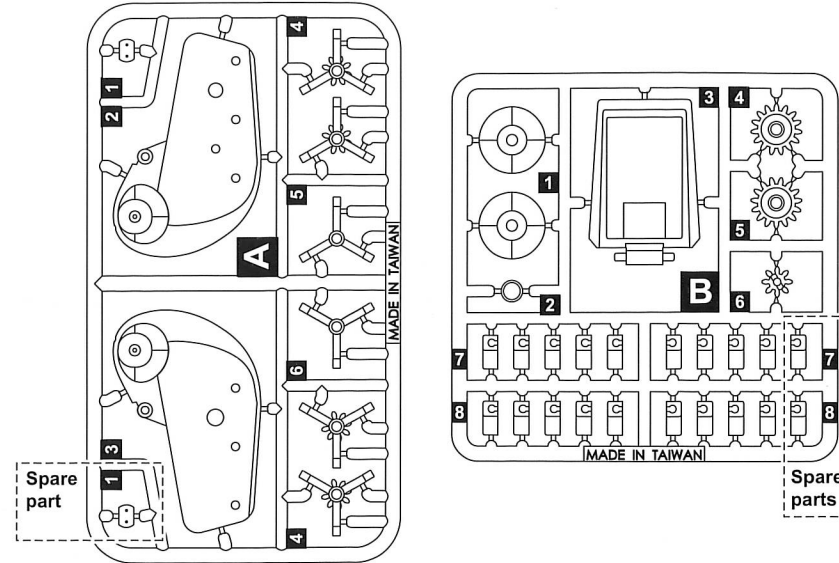
! Product contains functional edges and sharp points.

P1	Solar Panel With Motor	P2	Pinion Gear (White)	P3	Gear (Red)
	QTY 1		QTY 1		QTY 1
! Don't connect the wires to the mains.					
P4	Gear (Orange)	P5	Gear With Shaft (Blue)	P6	Eyes
	QTY 2		QTY 1		QTY 2
P7	Sponge	P8	Antenna	P9	Round Shaft (Short)
	QTY 1		QTY 1		QTY 1
P10	Round Shaft (Middle)	P11	Round Shaft (Long)		
	QTY 2		QTY 1		

4350006831A

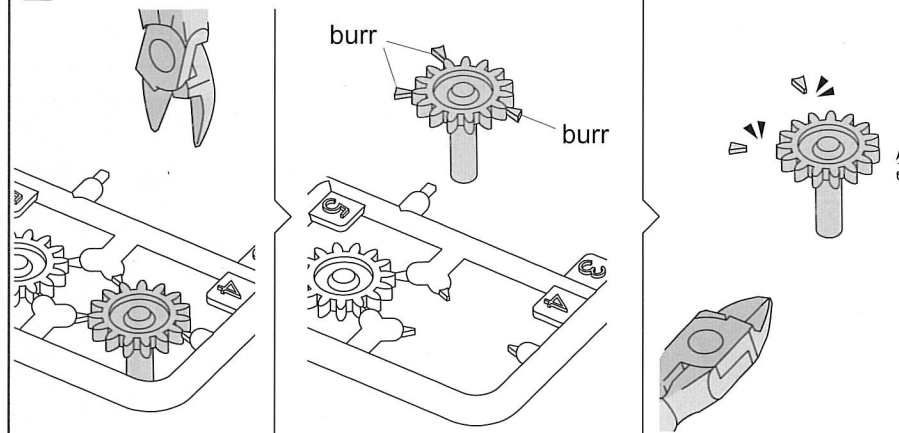
Plastic Parts

! Cut the plastic parts when they are required.
Do not cut them in advance.

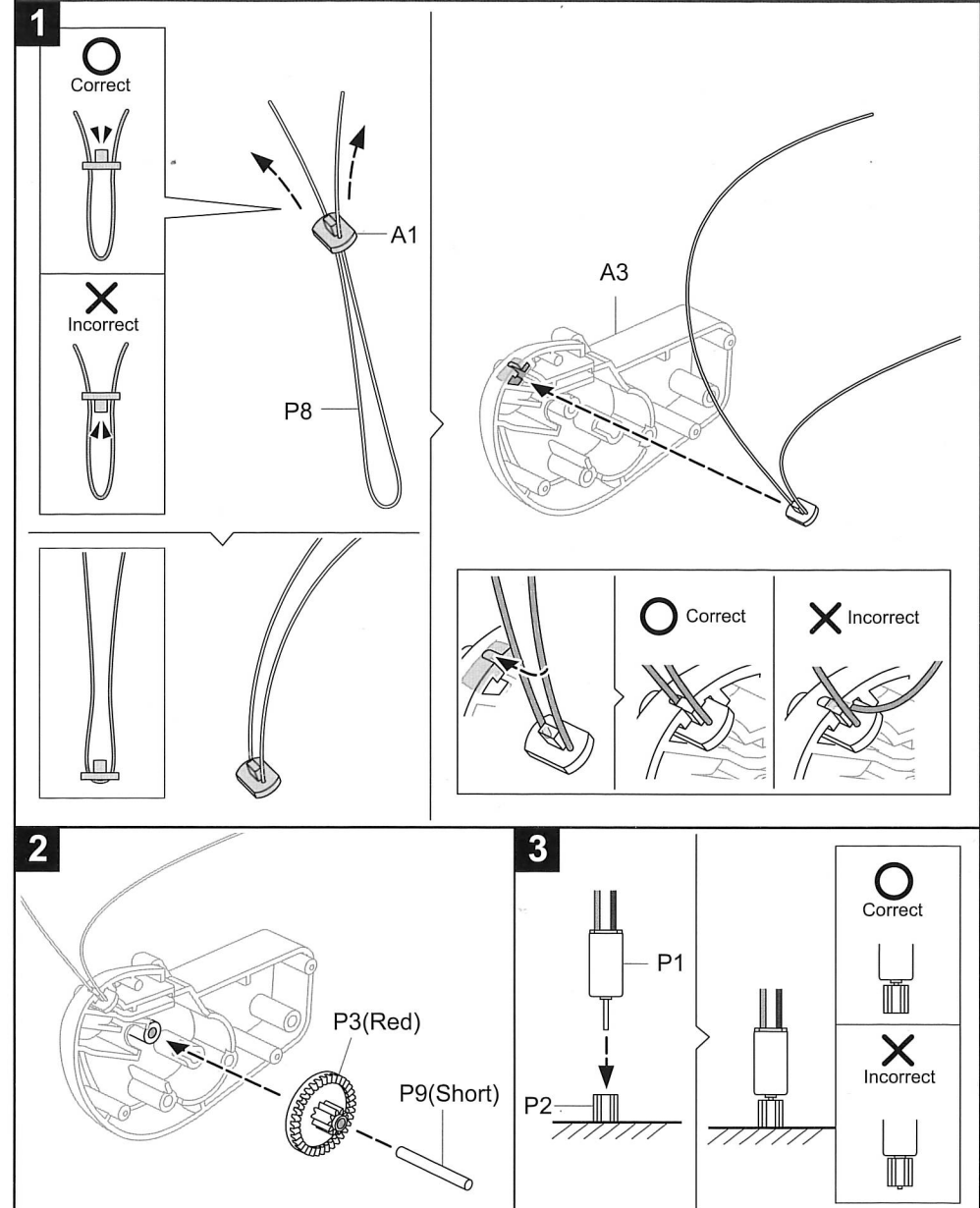


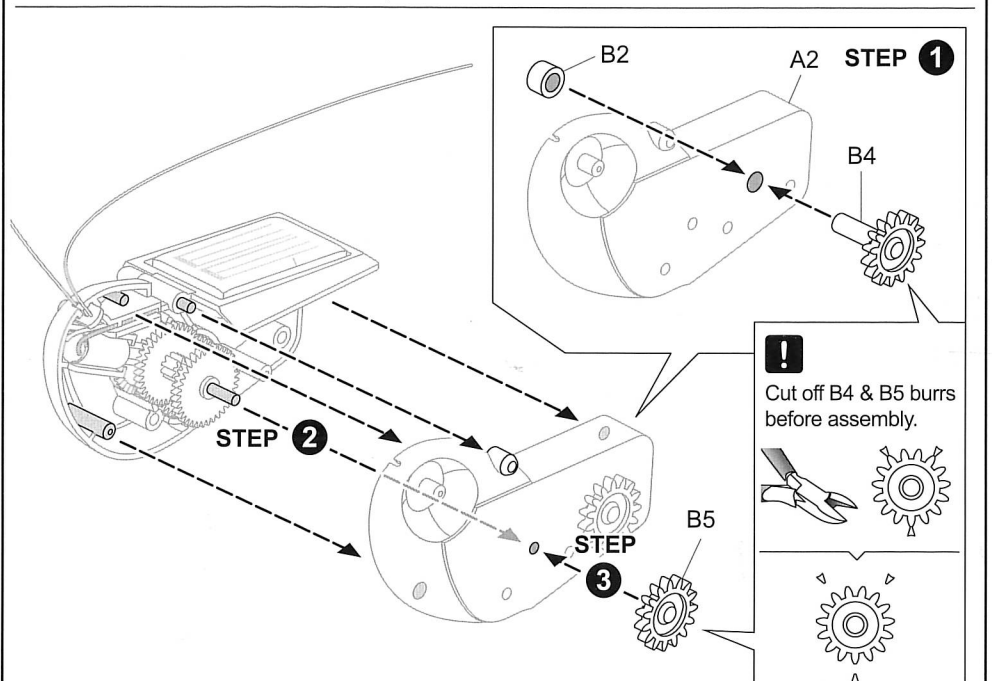
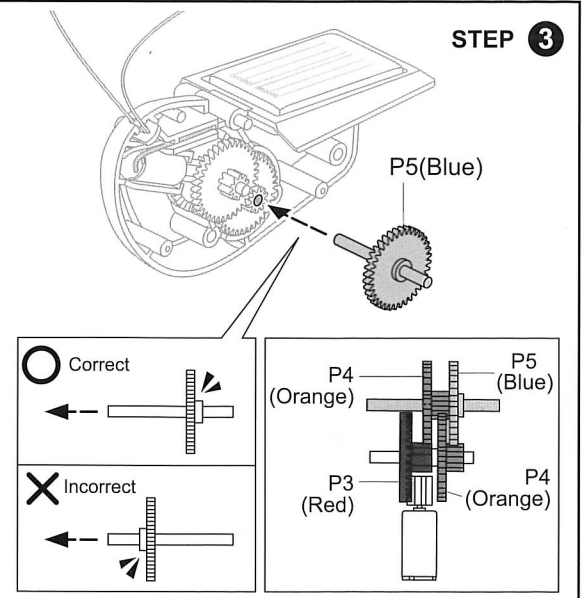
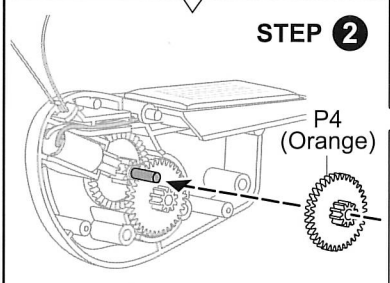
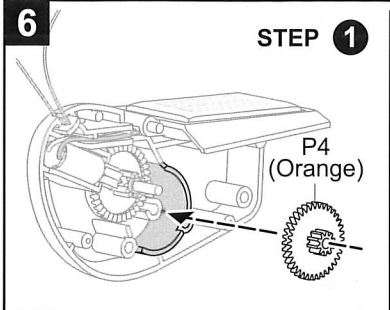
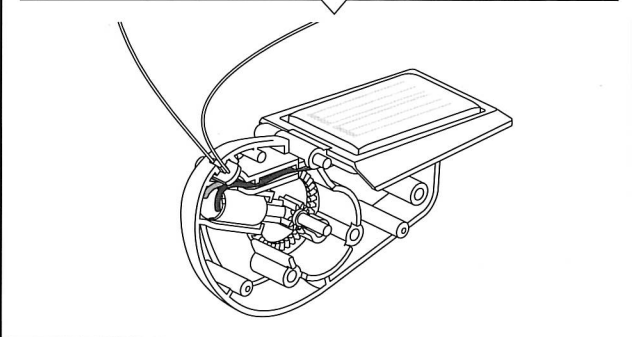
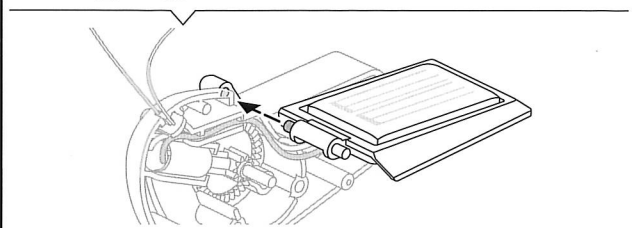
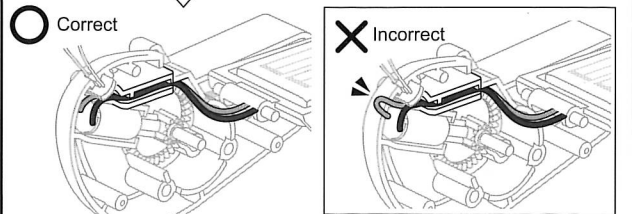
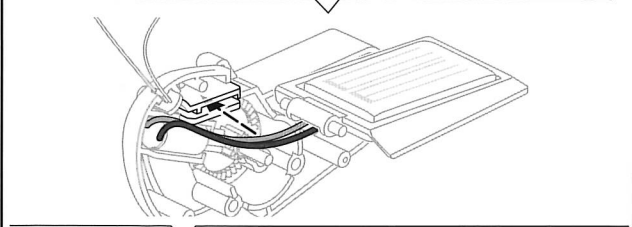
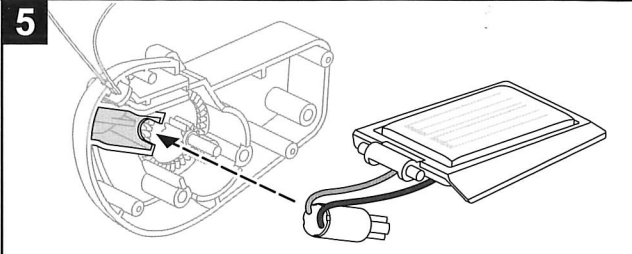
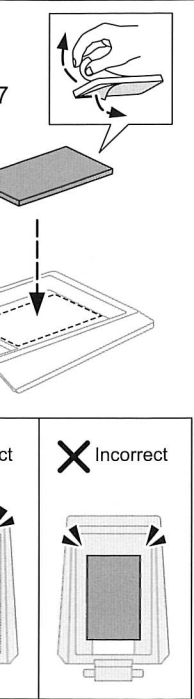
Hints

! Cut off the burrs before assembly.

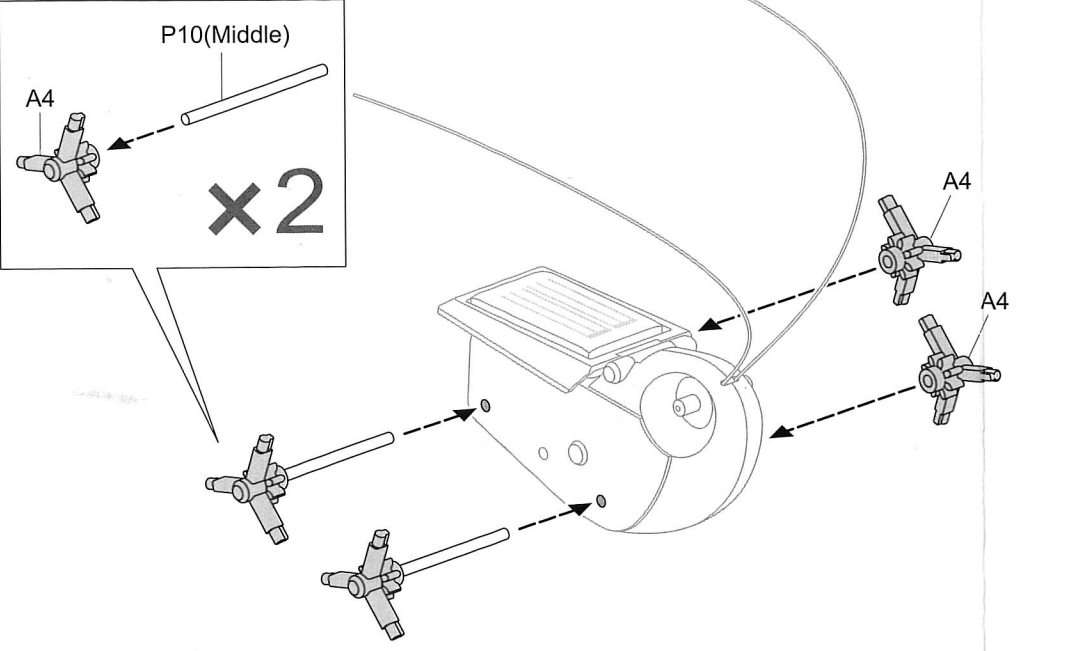


Mechanical Assembly

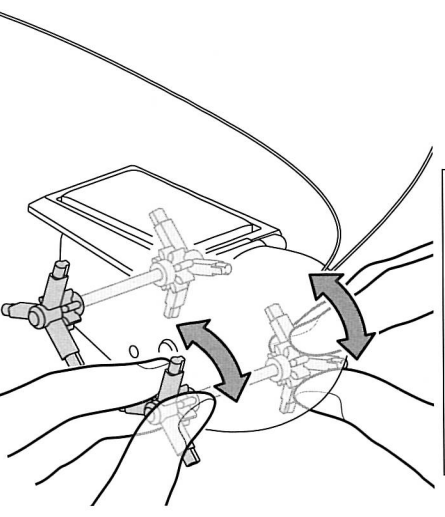
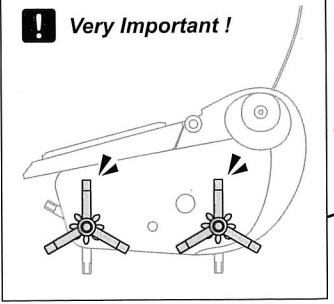




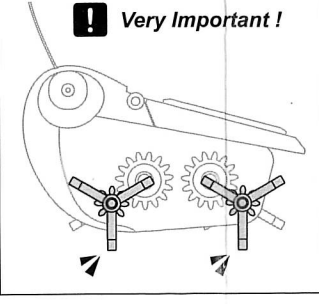
7



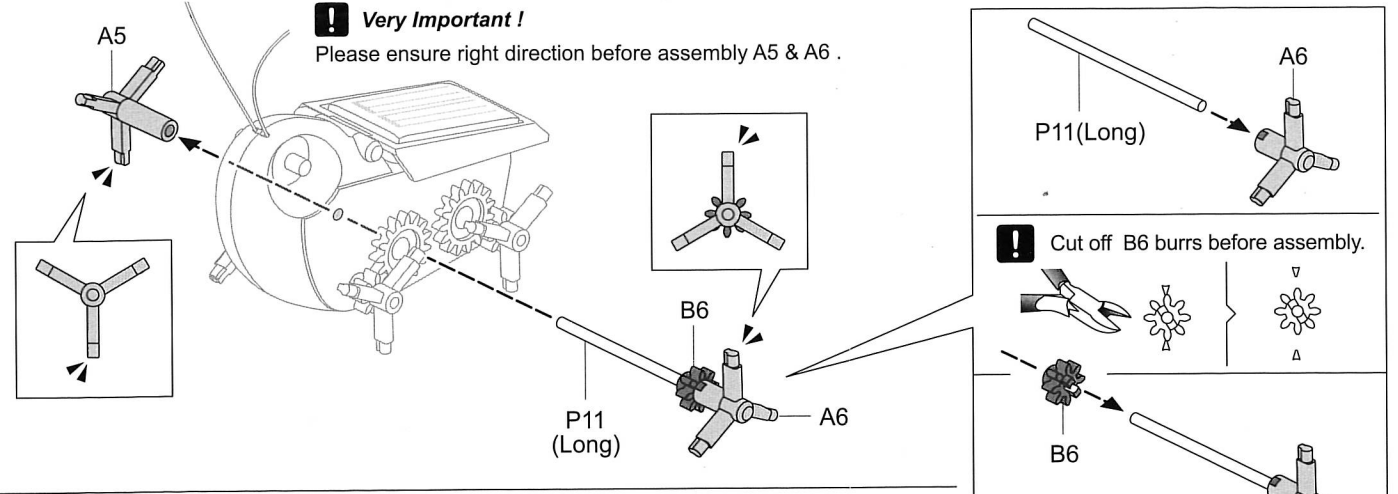
Please point feet in the direction illustrated



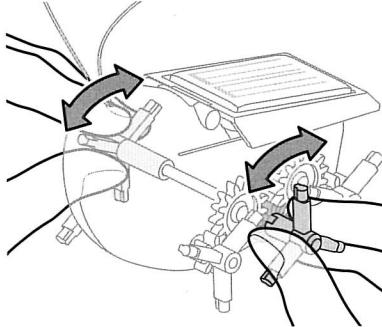
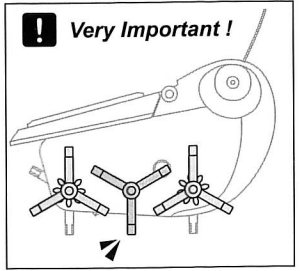
Please point feet in the direction illustrated



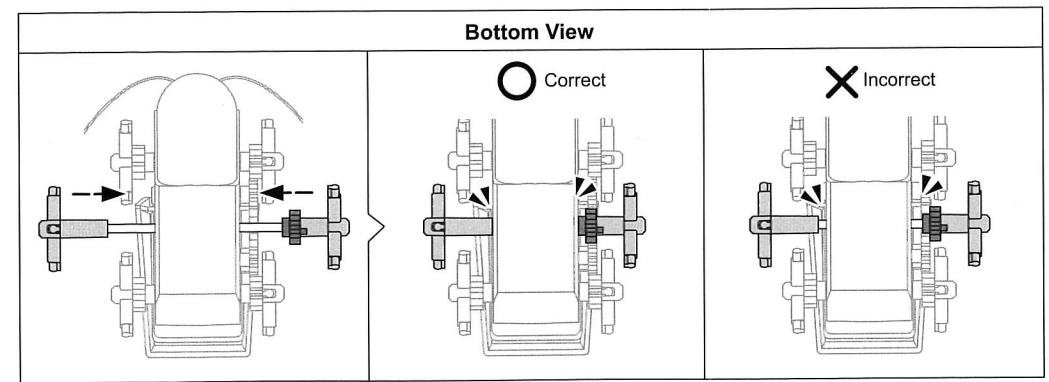
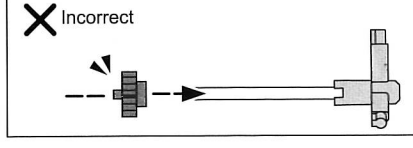
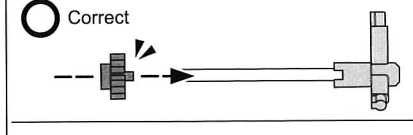
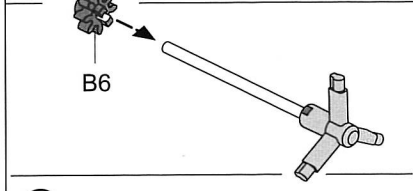
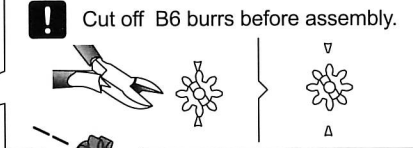
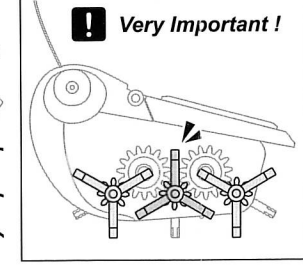
8



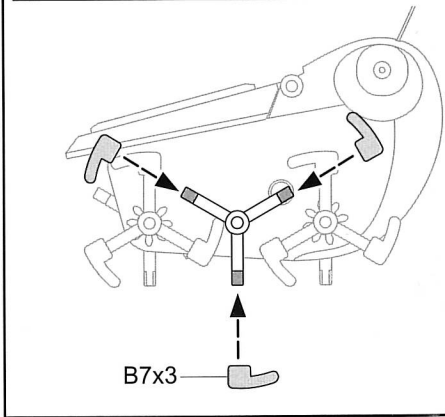
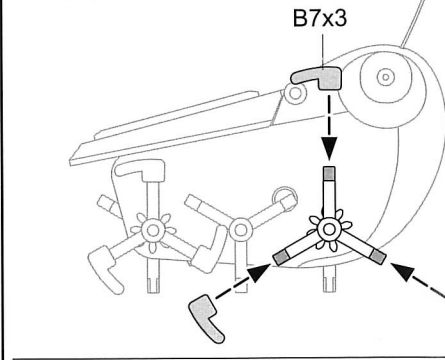
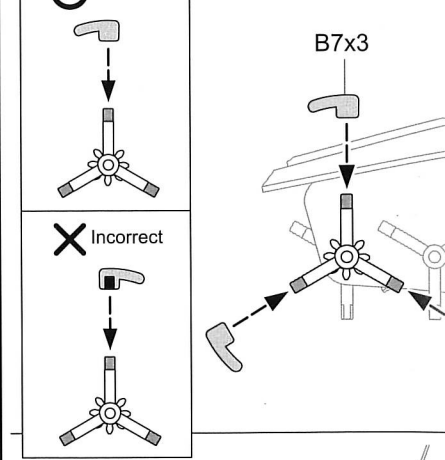
Please point feet in the direction illustrated

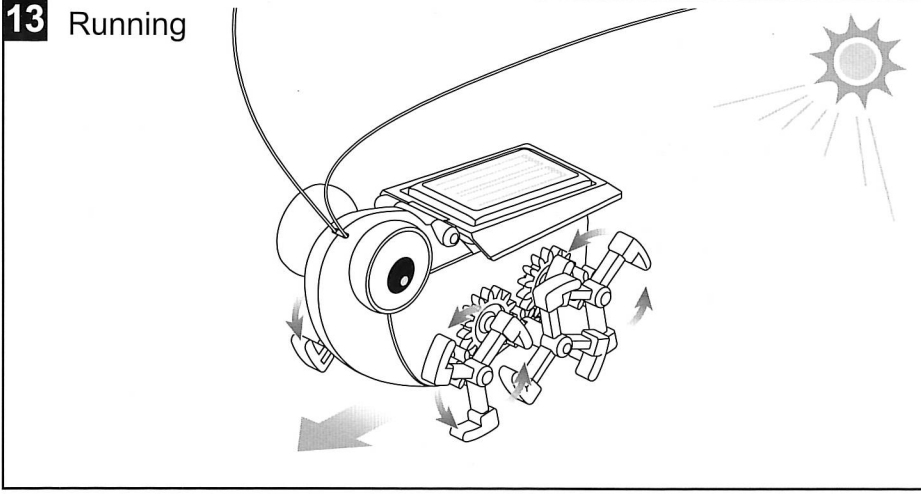
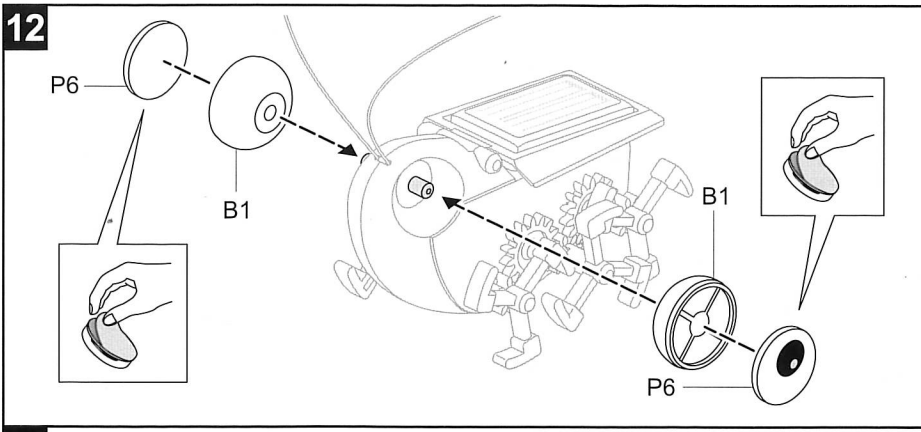
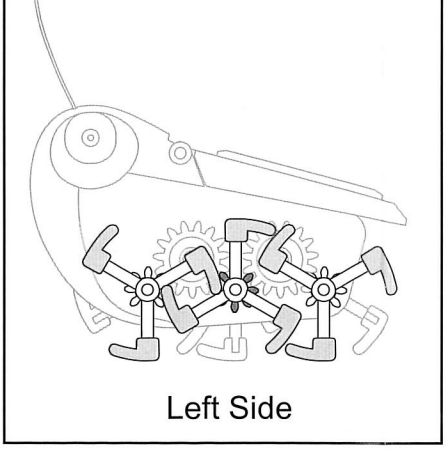
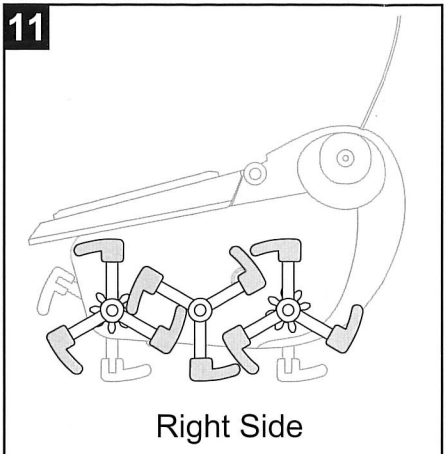
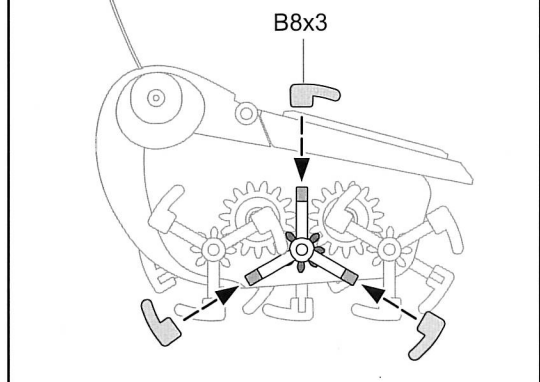
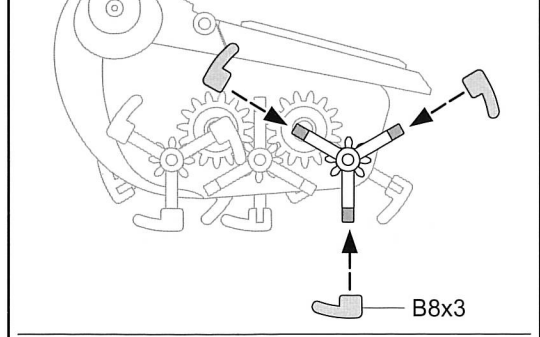
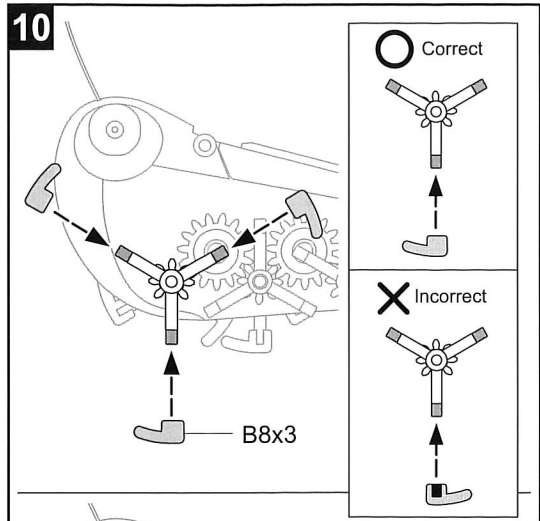
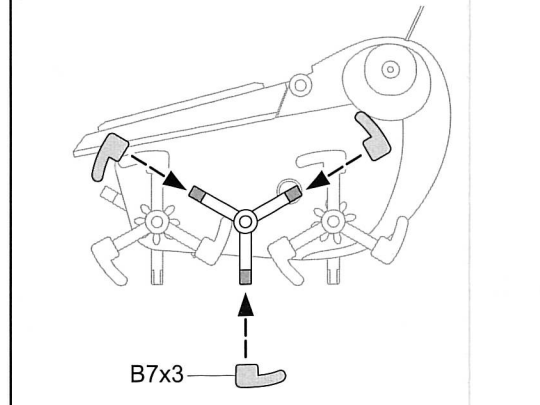
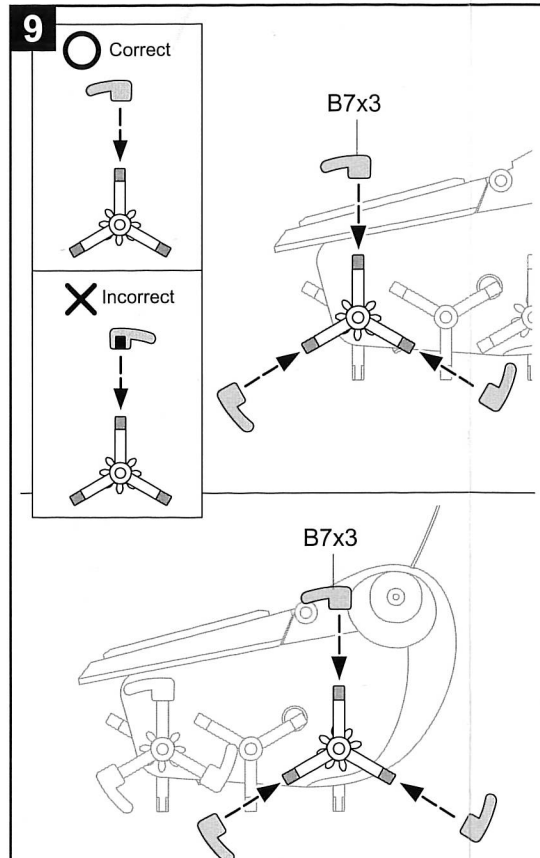
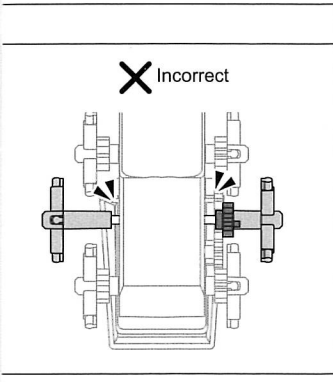
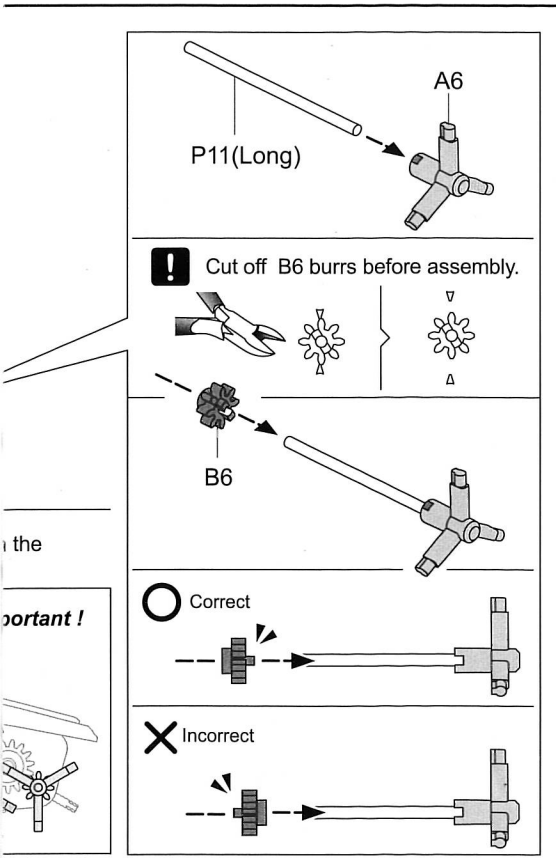


Please point feet in the direction illustrated



9





It's time to have some FUN !

SUNNY
Full energy

IN HOUSE
50W & UP
Halogen
Try on me

CLOUDY
Low power

1. Take outside under direct sunlight. Best results are obtained when operated on a sunny day.
2. For indoor fun, use a 50 watt halogen light. The product will not run on a cloudy day, shaded locations, indirect sunlight, or under a Fluorescent light.